

FASTENING CLIPPED SOLUTION FOR FRAMELESS MODULE



Screwless and tool-free clipped fastening solutions provide fast and simple assembly. It allows customers to reduce the overall cost of renewable energies.

PowAR Clamp

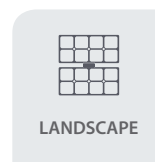
ALUMINUM CLAMPS COMBINED
WITH **FASTENING CLIP**

APPLICATIONS

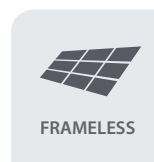
MODULES



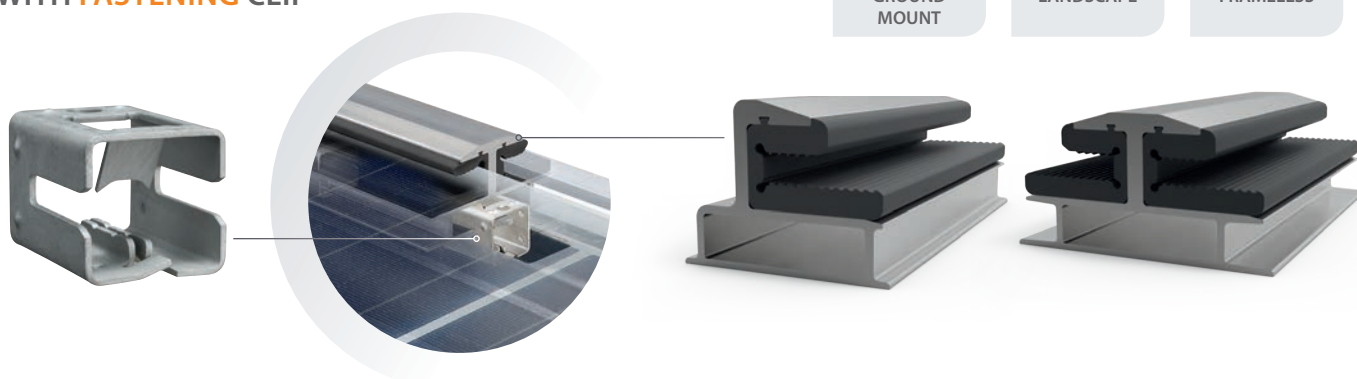
GROUND
MOUNT



LANDSCAPE



FRAMELESS



BENEFITS

))) PERFORMING

Tested by accredited laboratories and qualified by major module manufacturers⁽¹⁾.
Anti-theft designed.

))) QUICK

Fastening in a single operation.

))) EASY TO USE

Tool-free set up.
Friendly: clips can be inserted from underneath the array, no need to step on the module.
Maintenance free as no torque correction required.
Minimal training required.
No screw tightening: Minimal risk of breakage.

))) COST SAVING

Lower overall costs of the PV installation.
Lower maintenance costs: Screw-less, no periodic torque control required.
Hot spot risk reduction and low risk of breakage PV modules thanks to elastic mechanical clamping⁽²⁾.

(1) Report available on demand

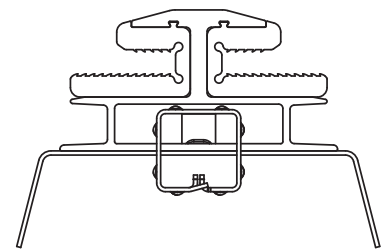
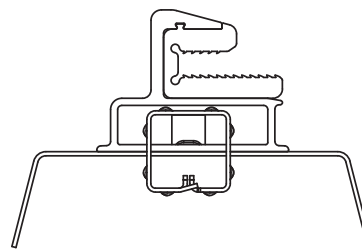
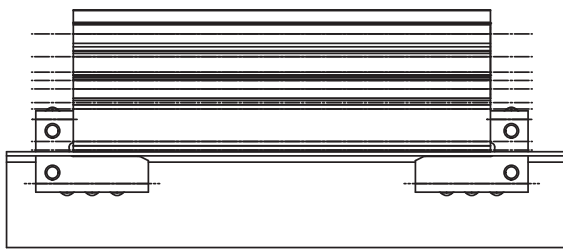
(2) Mechanical shocks and daily thermal cycles often induce micro-cracks within cells, leading to hot spots and power output degradation.

TECHNICAL SPECIFICATIONS



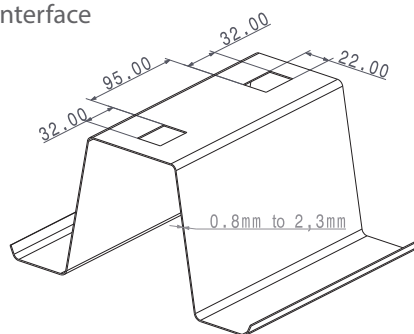
		ALUMINUM END CLAMP	ALUMINUM MID CLAMP
PRODUCT DETAILS	ARTICLE N°	244486	244488
	MATERIAL	Aluminum	
	DIMENSIONS IN MM	46 x 100 x 34	66 x 100 x 34
	WEIGHT IN G	76,5	111,2
PERFORMANCES	MECHANICAL RESISTANCE	+/-2400 Pa. compliant with IEC 61215-10,16:2005	
ENVIRONMENT	RAIL SPECIFICATIONS	Examples of technical drawings ❶ and ❷	
	MODULE SPECIFICATIONS	Frameless Dual Glass module 6 mm -0,2/+0,5	

EXAMPLES OF ASSEMBLY SCHEMATICS



See product data sheet of PowAR Cinch™

❶ Punch for rail interface



❷ Possible rail profiles

