

FASTENING & GROUNDING⁽¹⁾ CLIP FOR FRAMED MODULES



Screwless and tool-free clipped fastening solutions provide fast and simple assembly, enabling customers to reduce the overall cost of renewable energies.

PowAR Wedge FS6

COMBINED **FASTENING & GROUNDING**
FOR FIRST SOLAR SERIES 6 TRACKERS
& FIXED TILT STRUCTURES



APPLICATIONS



Benefits

QUICK

- Fastening and grounding in a single operation
- Quick insertion of the clip

EASY TO USE

- Easy panel alignment, specifically designed for tracker
- Installation friendly: clips can be easily inserted from underneath the PV array
- Quick and easy to dismantle from below the module

COST SAVING

- Quick and tool free installation
- Lower maintenance costs: screwless, no periodic torque control required

APPROVALS

- Clip tested by ARaymond Energies test center & Tracker maker

(1) Bonding PV panel frame to connected rail, requires rail bonded to grounding electrode system.



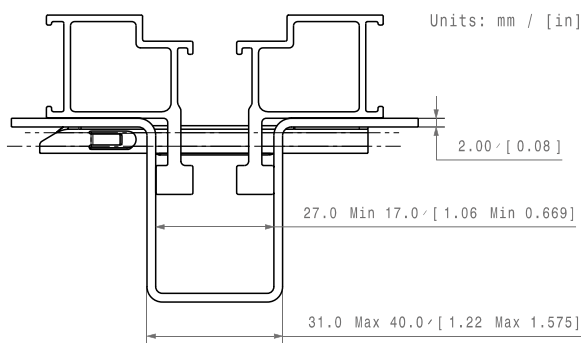
TECHNICAL SPECIFICATIONS

		POWER WEDGE FS6
PRODUCT DETAILS	ARTICLE N°	256528
	MATERIAL	Steel 1.123- DIN EN 10132:200 (SAE 1070- ASTM AISI)
	SURFACE TREATMENT	Zn Al Flake Coating
	DIMENSIONS IN MM DIMENSIONS IN INCH	75 x 27 x 7 2.953 x 1.063 x 0.275 in
	WEIGHT IN G	16.3
PERFORMANCES	MECHANICAL RESISTANCE	Load +2400 /-2400 Pa according to static load test
	CORROSION RESISTANCE	No red rust after 720 hours salt spray acc. EN 60068-2-11:1999
	GROUNDING CONTINUITY	Compliant with IEC 60439-1: 2004 8.2.4.1 after 240 hours salt spray, acc. to EN 60068-2-11:1999
ENVIRONMENT	PV MODULE SPECIFICATIONS	First Solar Series 6 compliant
	RAIL SPECIFICATIONS	See technical drawings below

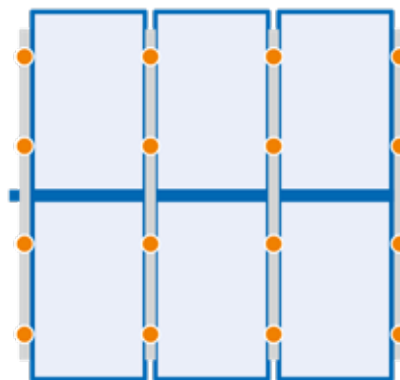
Product information disclosed in this "data sheet" can be modified without any previous notice.

EXAMPLES OF RAIL SPECIFICATIONS

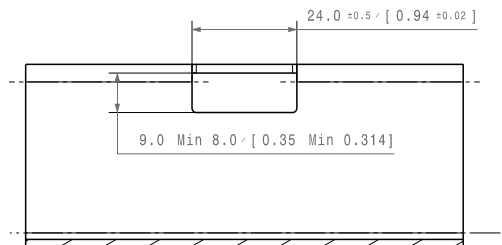
Cross section view



Shared Omega rail on Tracker or Fixed tilt



Side view showing hole dimensions



www.araymond-energies.com

ARaymond Energies SAS (RCS Grenoble 798 705 604) - ZI Technisud 123 rue Hilaire de Chardonnet - 38100 Grenoble - FRANCE has designed this datasheet. "ARaymond Network" means a network of companies which have a license of use of ARAYMOND™. This datasheet is provided for information purposes only and does not constitute an offer or an agreement. ARaymond Energies makes no warranty or representation whatsoever, express or implied, including but not limited to the accuracy, reliability, novelty, completeness, fit for a particular purpose or merchantability of the information contained in it. If you need further information, please contact ARaymond Energies.
EE-2020-11-EN - ©Raygroup Communication. Photo Credit: ©ARaymond Network, ©Ronan Kerloch.