

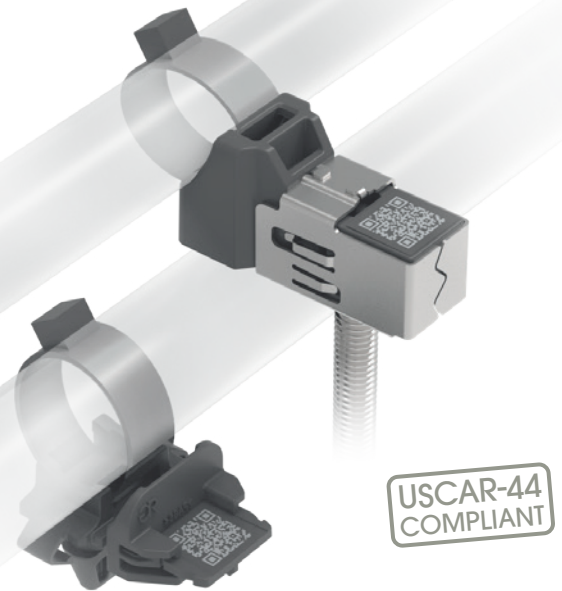
ARaymond®

SECURE INSTALLATION.
INSTANT CONFIRMATION.
FULL TRACEABILITY.



ASSEMBLY CONFIRMATION FOR CRITICAL VEHICLE APPLICATIONS

ARaymond Assembly Confirmation delivers simple, reliable assembly with an intuitive two-step process and laser-engraved code for critical applications such as **fluid lines, high-voltage cables, and busbars.**



SIMPLE & SECURE 2-STEP CONFIRMATION



STEP 1

Push the fastener into the hole or stud.

STEP 2

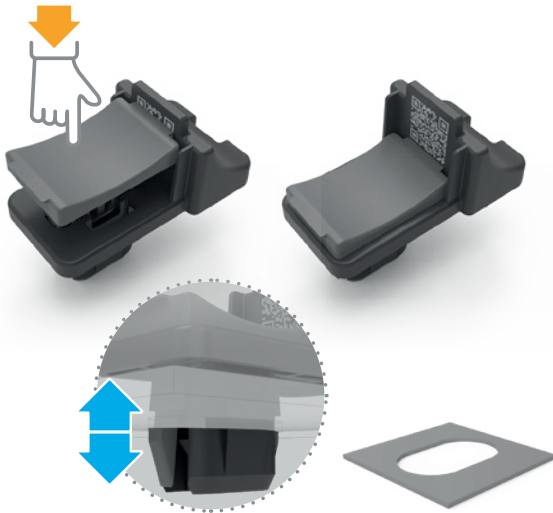
If pusher is correctly installed, the pusher activates, and the code is revealed.

ASSEMBLY ERROR

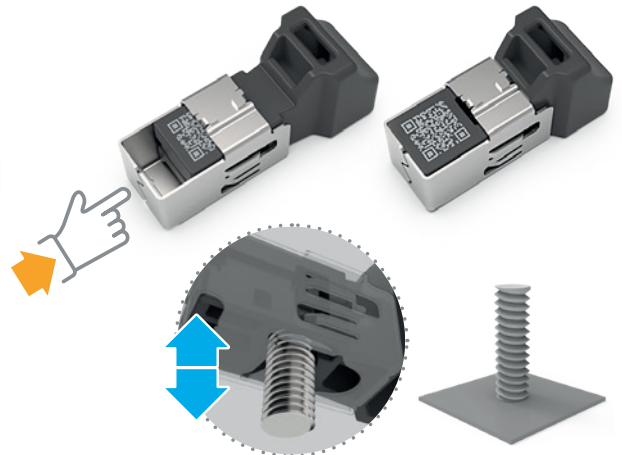
Pusher blocked, and code not revealed.

Benefits

RELIABILITY



HOLE MOUNT



THREADED STUD MOUNT

	HOLE MOUNT	THREADED STUD MOUNT
LOW INSERTION FORCE	< 45 N	< 45 N
HIGH RETENTION FORCE	Significantly > 220 N	Significantly > 220 N

SECURE & SUSTAINABLE ASSEMBLY



Our products can be **eco-designed** to combine high performance with minimal environmental impact.

CABLE STRAP ADAPTERS

TAPE-ON CLIPS

MODULAR SWIVEL ADAPTER

DESIGN CONCEPT

BUSBAR OR FLAT CABLE CLIPS

DESIGN CONCEPT

CUSTOM DESIGN

Benefits



TRACEABILITY

Code enables fast accurate traceability of errors.
Unique identifier available.



COMPATIBILITY

Omnidirectional camera compatibility reading
with customer equipment.



ARAYMOND, AROUND THE WORLD



Contact us on www.araymond-mobility.com

