

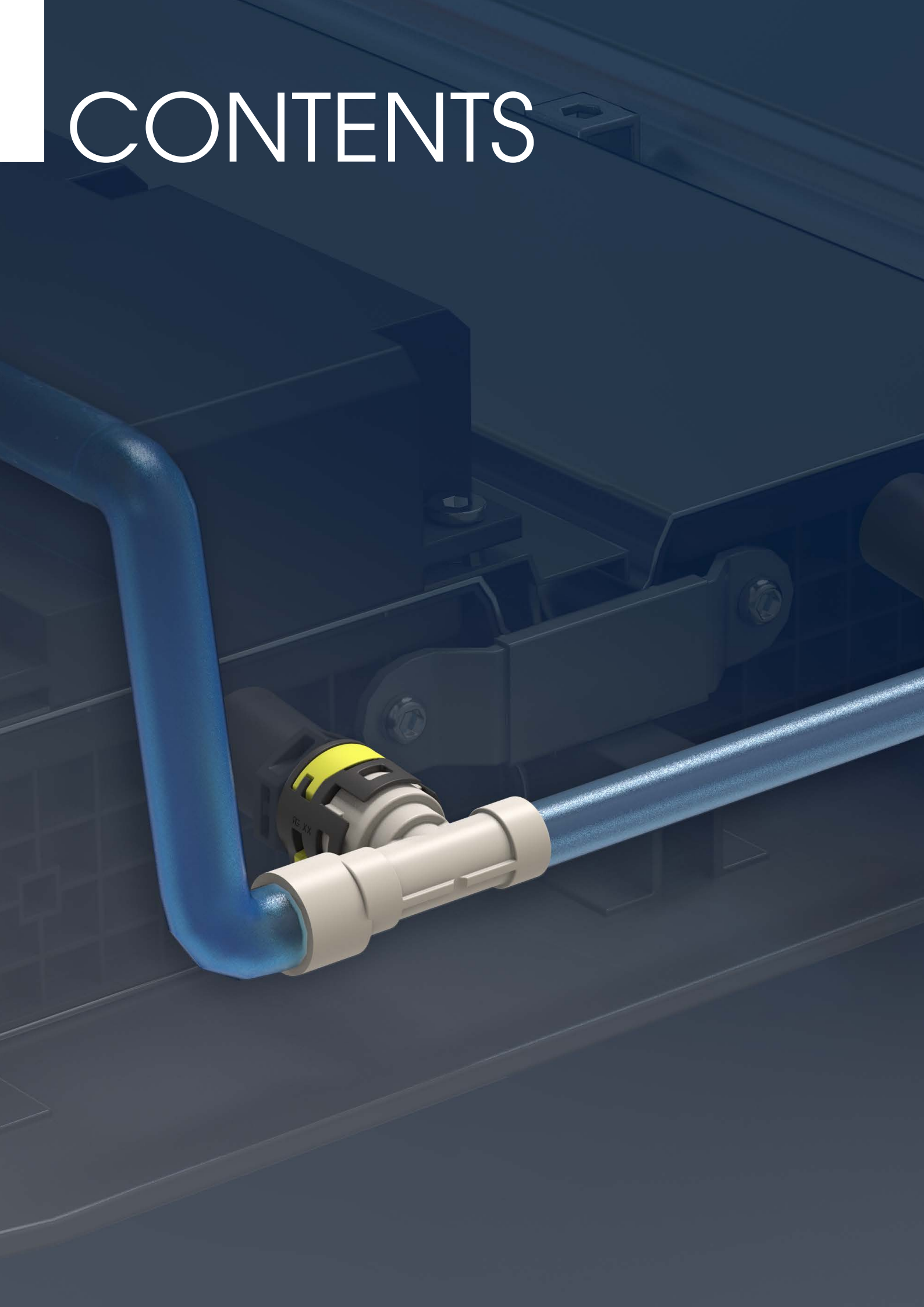
MOBILITY

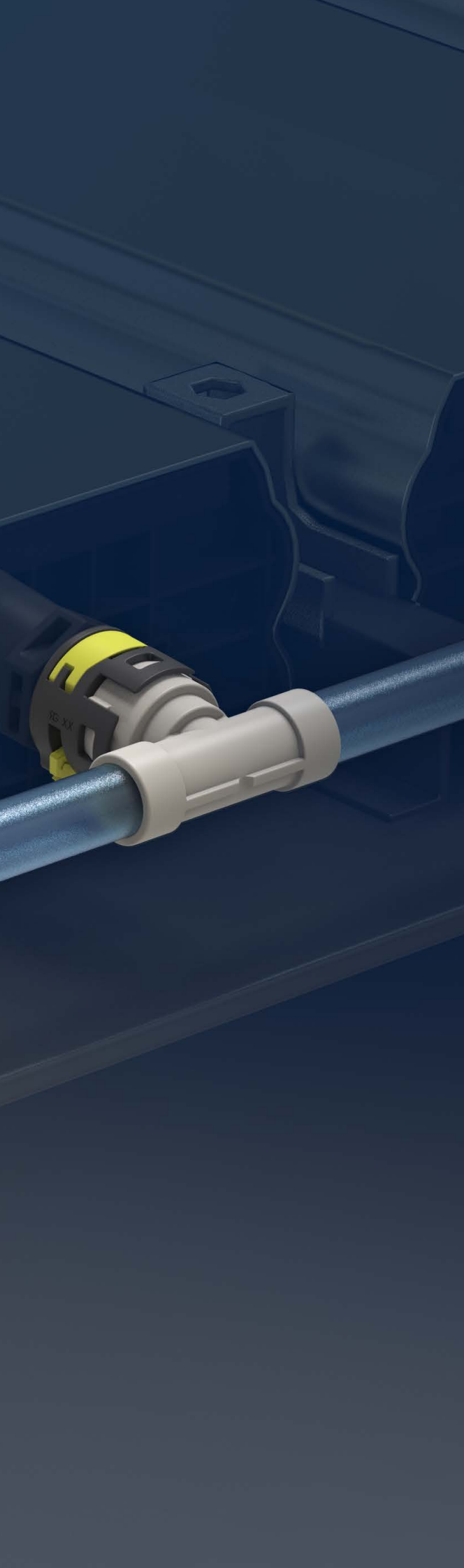
PRODUCT CATALOG



COMPACT QUICK CONNECTORS

CONTENTS





COMPACT QC

| | |
|--|-------|
| Overview | p.4-5 |
| Selfy® Compact Quick Connectors | p.6-7 |
| Integrated space-saving functions..... | p.8-9 |
| - Laser welding | |
| - Temperature monitoring | |

OUR WIDE RANGE OF QCs

| | |
|-----------------|------|
| Ø10 - NW6..... | p.10 |
| Ø14 - NW10..... | p.11 |
| Ø18 - NW14..... | p.13 |
| Ø20 - NW16..... | p.15 |

| | |
|--------------------------|------|
| Worldwide contacts | p.16 |
|--------------------------|------|

COMPACT QUICK CONNECTORS

ARaymond sets the new industry standards, going above and beyond your needs for **simple & effective thermal management** and **extra-secured fluid connections**.

Our Compact Quick Connectors (QC) are ideal for **space-limited environments** and tailored to **battery-cooling applications**.

ROBUST & EASY-TO-USE



Compact QCs have been designed for maximum ease-of-use and safety. Their double O-Ring sealing structure ensures **optimal safety within the battery pack**.

SPACE SAVING & EFFICIENT



ARaymond Compact QCs enable a **high flow of coolant** with minimized footprint and pressure drop.

Their compact format is specially designed for space constraints in the thermal management system of battery packs.

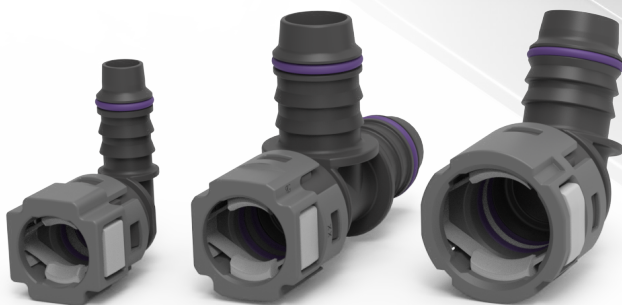


CHOICE & COMPATIBILITY

We offer a wide range of connector options compatible with:

- Tubes of various diameters
- Fir-tree or laser-welding assembly
- Integrated temperature sensors
- Sustainable materials on demand

WIDE RANGE OF CONNECTOR OPTIONS

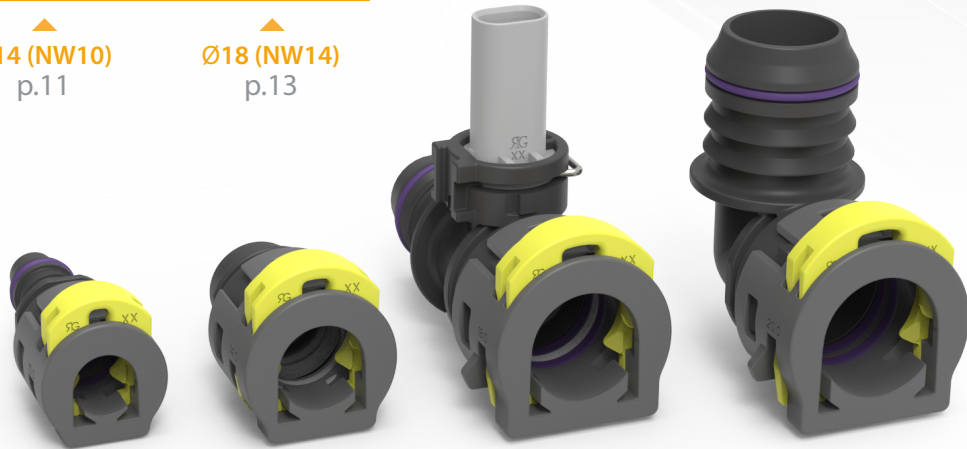


2-Button Compact QCs

Ø10 (NW6)
p.10

Ø14 (NW10)
p.11

Ø18 (NW14)
p.13



Selfy® Compact QCs **NEW**

Ø10 (NW6)
p.10

Ø14 (NW10)
p.11

Ø18 (NW14)
p.13

Ø20 (NW16)
p.15

SELFY® COMPACT QUICK CONNECTORS

Smart, simple and secure, the new Selfy® Compact QCs are ideal for inside the battery pack.

- **Space-efficient design**

- Easy to assemble and disassemble with one hand in tight space.

- **Innovative automatic locking mechanism**

- Fast and secured fluid-line connection process.

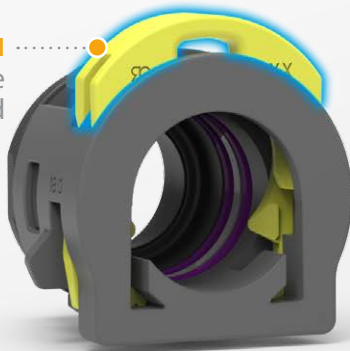


EASY AND SAFE HANDLING

- Only one assembly operation — Automatic connection
- Reduce risks of misassemblies and non-quality costs
- Disassembly with hands or tool
- Easy to use in blind environments

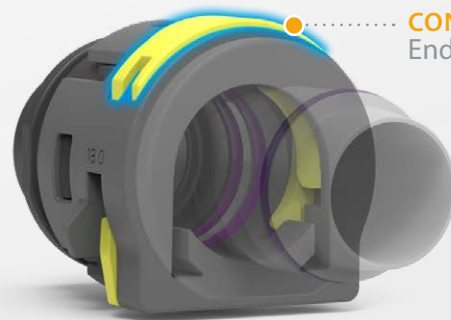
NO CONNECTION

Until end-piece is properly seated



CONNECTED STATE

End-piece in place





AUTOMATIC LOCKING MECHANISM

Thanks to visual, physical and auditive proof of connection, the Selfy® Compact QCs give **obvious confirmation of the connected state** on the assembly line.

The locker latches automatically once the end piece is fully engaged.

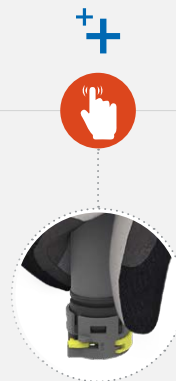
VISUAL CONFIRMATION

Can be verified by camera check



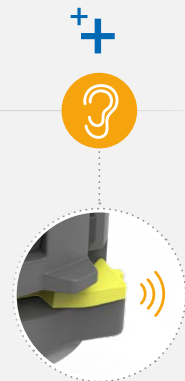
TACTILE CONFIRMATION

Also useful in blind environment



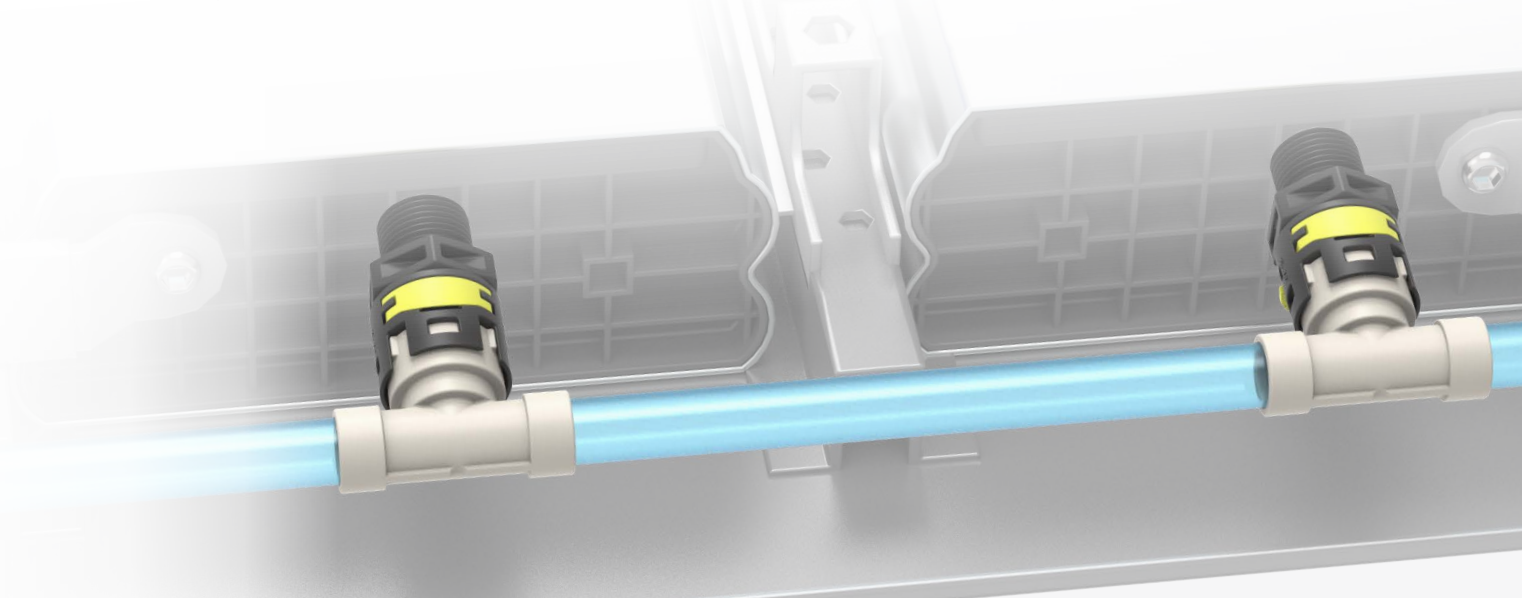
AUDIBLE CONFIRMATION

« Click »



COMPLETE ARRAY OF SOLUTIONS

- Wide range of off-the-shelf Selfy® Compact QCs available worldwide
- Multiple designs and diameters
- Integrated functions possible
- Perfectly suited to thermal management applications, including battery cooling lines



INTEGRATED SPACE-SAVING FUNCTIONS

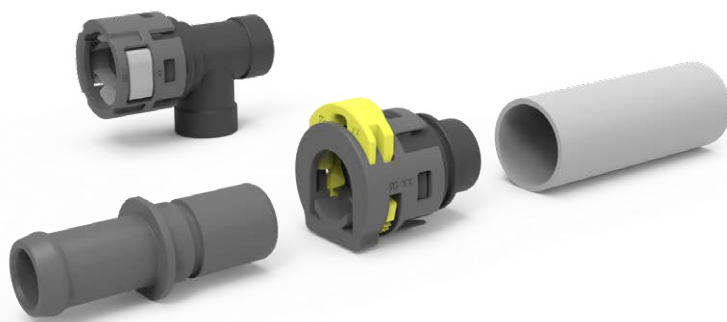
There is more to our products than highly-effective and safe connections. There is **innovation**.

Integrated technologies deliver **more performance and safety** – right here at your fingertips.

LASER WELDING ABILITY

Most ARaymond Compact QCs are compatible with laser-welding tube-assembly technology.

Our mastery in that process results in significant benefits such as **saving space**, **maximizing coolant flow**, and **minimizing pressure drop**.



Fir-tree Compact QC assembly



MAXIMUM
coolant transfer



Laser-welding technology Compact QC assembly



TEMPERATURE MONITORING ABILITY

ARaymond temperature sensors are designed to be integrated in our wide range of Quick Connectors.

They enable **easy, fast and secure integration into coolant lines**, taking efficient thermal management of electric and hybrid vehicles to the next level.



COMPACT



LIGHTWEIGHT



LOW PRESSURE DROP



UL94 V0 FIRE RESISTANT



Reduce the risk of leakage related to the use of basic industry standards

Opt for 1-interface solution delivering high safety & reliability:

- Safe and seamless integration with fewer fluid interfaces
- Space optimization through a highly compact format
- Customization to the needs of each customer

Industry standard solution

4 INTERFACES



OUR SOLUTION

1 INTERFACE

ARaymond temperature sensors are available **standalone, assembled, or integrated** into our QCs.

10.00 (NW6)

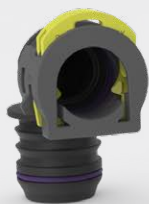
| TUBE | YT5 STRAIGHT | YT4 90° 0 or 90° | YT6 90° 0, 90°, 180°, 270° |
|--------------------|---|---|--|
| Tube 8x10 or 3/8in |  SELFY® COMPACT |  2 BUTTON COMPACT |  SELFY® COMPACT |
| TUBE | YT1 STRAIGHT | YT2 90° 0 or 90° | YT3 3 WAY 0 or 90° |
| Tube 10x12 |  2 BUTTON COMPACT LASER WELDING |  2 BUTTON COMPACT LASER WELDING |  2 BUTTON COMPACT LASER WELDING |



LOCKER POSITION

Offered in various rotated positions to facilitate accessibility.

Standard



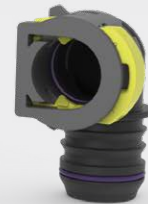
90°



180°



270°



14.00 (NW10)

| HOSE | YA18 STRAIGHT | YA19 90° 0 or 90° | | |
|---------------------|---|---|--|---|
| Hose 12 |  |  | | |
| | 2 BUTTON COMPACT | 2 BUTTON COMPACT | | |
| TUBE | YA16 STRAIGHT | YA8 STRAIGHT | YA26 STRAIGHT | YA17 90° 0 or 90° |
| Tube 10x12 |  |  |  |  |
| | 2 BUTTON COMPACT | 2 BUTTON COMPACT LASER WELDING | SELFY® COMPACT LASER WELDING | 2 BUTTON COMPACT |
| | YA29 90° 0, 90°, 180°, 270° | YA9 90° 0 or 90° | YA24 90° 0, 90°, 180°, 270° | YA10 3 WAY 0 or 90° |
| |  |  |  |  |
| | SELFY® COMPACT | 2 BUTTON COMPACT LASER WELDING | SELFY® COMPACT LASER WELDING | 2 BUTTON COMPACT LASER WELDING |
| | YA25 3 WAY 0, 90°, 180°, 270° | | | |
| |  | | | |
| | SELFY® COMPACT LASER WELDING | | | |
| TUBE | YA1 STRAIGHT | YA20 STRAIGHT | YA2 90° 0 or 90° | YA21 90° 0, 90°, 180°, 270° |
| Tube 12x14 or 1/2in |  |  |  |  |
| | 2 BUTTON COMPACT | SELFY® COMPACT | 2 BUTTON COMPACT | SELFY® COMPACT |

COMPACT QC

14.00 (NW10)

YA3 3 WAY 0 or 90°



2 BUTTON COMPACT

YA28 3 WAY 0, 90°, 180°, 270°



SELY® COMPACT

TUBE **YA30** 3 WAY 0 or 90°

Tube 14x16 or 5/8in



2 BUTTON COMPACT

TUBE **YA11** STRAIGHT - **YA12** 3 WAY 0 or 90°

Tube 14x16.5



2 BUTTON COMPACT LASER WELDING



2 BUTTON COMPACT LASER WELDING

TUBE **YA13** STRAIGHT - **YA22** STRAIGHT **YA14** 90° 0 or 90° **YA23** 90° 0, 90°, 180°, 270°

Tube 15x18



2 BUTTON COMPACT



SELY® COMPACT



2 BUTTON COMPACT



SELY® COMPACT

YA15 3 WAY 0 or 90° **YA27** 3 WAY 0, 90°, 180°, 270°



2 BUTTON COMPACT



SELY® COMPACT

| TUBE | YC15 STRAIGHT | YC16 90° <small>0 or 90°</small> | | |
|--------------|--|--|---|---|
| Tube 10x12 |  2 BUTTON COMPACT |  2 BUTTON COMPACT | | |
| TUBE | YC1 STRAIGHT | YC34 STRAIGHT | YC17 65° <small>0 or 90°</small> | YC2 90° <small>0 or 90°</small> |
| Tube 14x16.5 |  2 BUTTON COMPACT LASER WELDING |  SELFY® COMPACT LASER WELDING |  2 BUTTON COMPACT LASER WELDING |  2 BUTTON COMPACT LASER WELDING |
| | YC3 3 WAY <small>0 or 90°</small> | | | |
| |  2 BUTTON COMPACT LASER WELDING | | | |
| TUBE | YC5 STRAIGHT | YC7 STRAIGHT | YC6 STRAIGHT | YC24 STRAIGHT |
| Tube 15x18 |  2 BUTTON COMPACT |  2 BUTTON COMPACT TEMPERATURE SENSOR |  2 BUTTON COMPACT TEMPERATURE SENSOR |  SELFY® COMPACT |
| | YC27 STRAIGHT | YC28 STRAIGHT | YC36 45° <small>0, 90°, 180°, 270°</small> | YC8 65° <small>0 or 90°</small> |
| |  SELFY® COMPACT TEMPERATURE SENSOR |  SELFY® COMPACT TEMPERATURE SENSOR |  SELFY® COMPACT |  2 BUTTON COMPACT |

YC25 65° 0, 90°, 180°, 270°° **YC9** 90° 0 or 90°° **YC20** 90° 0 or 90°° **YC10** 90° 0 or 90°°



SELFY® COMPACT



2 BUTTON COMPACT



2 BUTTON COMPACT
TEMPERATURE SENSOR



2 BUTTON COMPACT
TEMPERATURE SENSOR

YC26 90° 0, 90°, 180°, 270°° **YC31** 90° 0, 90°, 180°, 270°° **YC30** 90° 0, 90°, 180°, 270°° **YC32** 90° 0, 90°, 180°, 270°°



SELFY® COMPACT



SELFY® COMPACT
TEMPERATURE SENSOR



SELFY® COMPACT
TEMPERATURE SENSOR



SELFY® COMPACT
TEMPERATURE SENSOR

YC29 90° 0, 90°, 180°, 270°° **YC35** 90° 90°° **YC11** 3 WAY 0 or 90°° **YC12** 3 WAY 0 or 90°°



SELFY® COMPACT
TEMPERATURE SENSOR



2 BUTTON
TEMPERATURE SENSOR



2 BUTTON COMPACT



2 BUTTON COMPACT

YC13 3 WAY 0 or 90°° **YC21** 3 WAY 0 or 90°° **YC33** 3 WAY 0, 90°, 180°, 270°° **YC23** STRAIGHT



2 BUTTON COMPACT



2 BUTTON COMPACT
TEMPERATURE SENSOR



SELFY® COMPACT



END PIECE
TEMPERATURE SENSOR

TUBE **YC14** STRAIGHT

Tube 16x20



2 BUTTON COMPACT
LASER WELDING

20.00 (NW16)

| TUBE | YD4 STRAIGHT | YD5 90°  | | |
|------------|---|---|---|---|
| Tube 25x29 |  |  | | |
| | SELFY® COMPACT | SELFY® COMPACT | | |
| TUBE | YD1 STRAIGHT | YD2 90°  | YD6 90°  | YD3 90°  |
| Tube 21x24 |  |  |  |  |
| | SELFY® COMPACT | SELFY® COMPACT | SELFY® COMPACT | SELFY® COMPACT TEMPERATURE SENSOR |

ARAYMOND, AROUND THE WORLD



ARAYMOND
MOBILITY E-CATALOG



CONTACT US

AMERICAS

USA & CANADA

+1 248 265 4000

contact.connecting.us@araymond-automotive.com

BRAZIL

+55 19 3836 6900

contact.connecting.br@araymond-automotive.com

ASIA

CHINA

+86 0511-85309100

contact.connecting.cn@araymond-automotive.com

INDIA

+91 (2135) 676 200

contact.connecting.in@araymond-automotive.com

JAPAN

+81 463 40 8600

contact.connecting.jp@araymond-automotive.com

SINGAPORE

+ 65 6634 1041

contact.sg@araymond-automotive.com

SOUTH KOREA

+82 70 5055 5000

contact.kr@araymond-automotive.com

THAILAND

+ 66 2653 3174

contact.sg@araymond-automotive.com

VIETNAM

+ 84 347910808

contact.sg@araymond-automotive.com

EMEA

CZECH REPUBLIC

+420 48 335 81 11

contact.connecting.cz@araymond-automotive.com

FRANCE

+33 4 76 33 49 49

contact.connecting.fr@araymond-automotive.com

GERMANY

+49 7634 50800

contact.connecting.de@araymond-automotive.com

ITALY

+39 161 937311

contact.connecting.it@araymond-automotive.com

SWEDEN (SALES AGENT)

+46 31 703 34 40

stefan.andreasson@ci-pihl.com

TÜRKIYE

+90 262 658 1058

contact.connecting.tr@araymond-automotive.com

UNITED KINGDOM

+44 1732 871934

contact.connecting.uk@araymond-automotive.com

www.araymond-mobility.com