

# FASTENING & GROUNDING<sup>(1)</sup> CLIP FOR FRAMED MODULES



Screwless and tool-free clipped fastening solutions provide fast and simple assembly, enabling customers to reduce the overall cost of renewable energies.

## PowAR™ Slot FS6

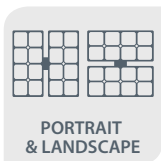
COMBINED **FASTENING & GROUNDING**  
FOR FIRST SOLAR SERIES 6  
HORIZONTALLY ORIENTED RAILS



GROUND  
MOUNT



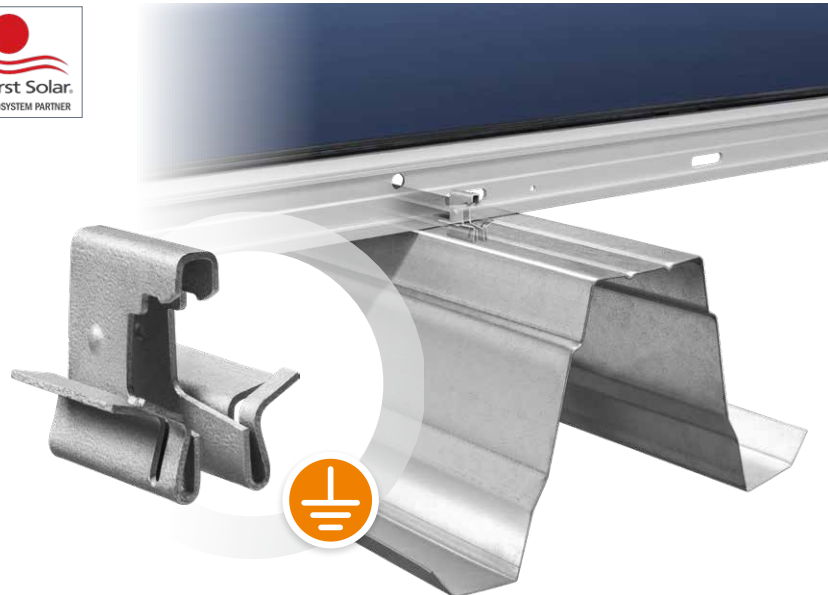
FRAMED



PORTRAIT  
& LANDSCAPE

APPLICATIONS

MODULES



## Benefits

### QUICK

- Fastening and grounding in a single operation
- 1 module installed in less than 30 seconds<sup>(2)</sup>

### COST SAVING

- Quick and tool free installation
- Lower maintenance costs: screwless, no periodic torque control required



### EASY TO USE

- Easy panel alignment, specifically designed for irregular terrain
- Installation friendly: clips can be inserted from underneath the PV array
- Quick and easy to dismantle from below the module

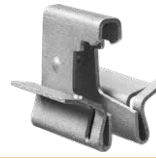
### APPROVALS

- Clip tested by ARaymond Energies test center

(1) Bonding PV panel frame to connected rail, requires rail bonded to grounding electrode system.

(2) According to field tests results available upon request.

# PowAR™ Slot: FASTENING & GROUNDING/BONDING CLIP OPTIMIZED FOR SERIES 6



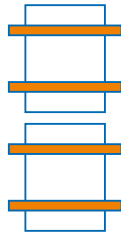
## TECHNICAL SPECIFICATIONS

		PowAR™ SLOT FS6 S	PowAR™ SLOT FS6 L
PRODUCT DETAILS	ARTICLE N°	271397	247413
	MATERIAL	Steel 1.123- DIN EN 10132:200 (SAE 1070- ASTM AISI)	
	SURFACE TREATMENT	Zn Al Flake Coating	
	DIMENSIONS IN MM	27 x 25 x 29 mm	
	DIMENSIONS IN INCH	1.063 x 0.98 x 1.142 in	
WEIGHT IN G	16,8		
PERFORMANCES	MECHANICAL RESISTANCE	Load +2400 /-2400 Pa according to static load test	
	CORROSION RESISTANCE	No red rust after 720 hours salt spray acc. EN 60068-2-11:1999	
	GROUNDING CONTINUITY	Compliant with IEC 6064391:20014 8.2.4.1 after 240 hours salt spray, acc. to EN 60068-2-11:1999	
ENVIRONMENT	PV MODULE SPECIFICATIONS	First Solar Series 6 compliant	
	RAIL THICKNESS IN MM	0,9 to 1,5 mm	1,5 to 2 mm
	RAIL THICKNESS IN INCH	0.035 to 0.06 in	0.06 to 0.08 in
	RAIL SPECIFICATIONS	See technical drawings below Rail specifications may depend on your structure design and chain of dimensions, please contact us for technical confirmation	



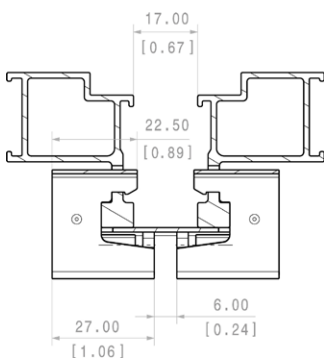
Product information disclosed in this "data sheet" can be modified without any previous notice.

East/West rails configuration (horizontally oriented)

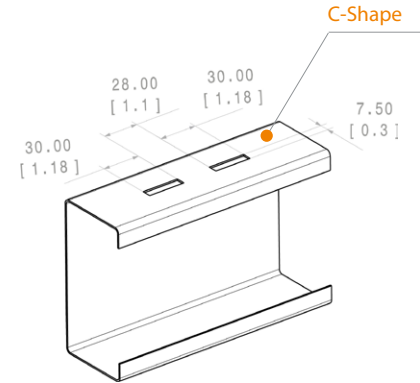
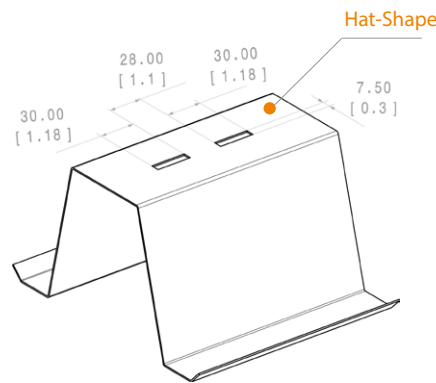


## EXAMPLES OF RAIL SPECIFICATIONS

Cross section view



Rails cutouts specifications



[www.araymond-energies.com](http://www.araymond-energies.com)



ARaymond Energies SAS (RCS Grenoble 798 705 604) - ZI Technisud 123 rue Hilaire de Chardonnet - 38100 Grenoble - FRANCE has designed this datasheet. "ARaymond Network" means a network of companies which have a license of use of ARAYMOND™. This datasheet is provided for information purposes only and does not constitute an offer or an agreement. ARaymond Energies makes no warranty or representation whatsoever, express or implied, including but not limited to the accuracy, reliability, novelty, completeness, fit for a particular purpose or merchantability of the information contained in it. If you need further information, please contact ARaymond Energies.  
1009\_16|06|2022-EN - ©Raygroup Communication. Photo Credit: ©ARaymond Network, ©Ronan Kerloch.

**ARaymond**