

# ARaymond<sup>RG</sup>

MORE THAN FASTENING

AUTOMOTIVE  
FASTENING  
SYSTEMS  
PRODUCT  
CATALOG





# THE FAST TRACK TO THE RIGHT PRODUCT

---

Looking for a specific range or a product?  
This catalog is here to help you to find it at a glance.

Whether you seek ways to improve passenger comfort and safety, increase assembly-line efficiency, or ensure serviceability for Passenger Cars or Commercial Vehicles, here you can find our comprehensive portfolio of solutions for your assembly and fastening challenges.

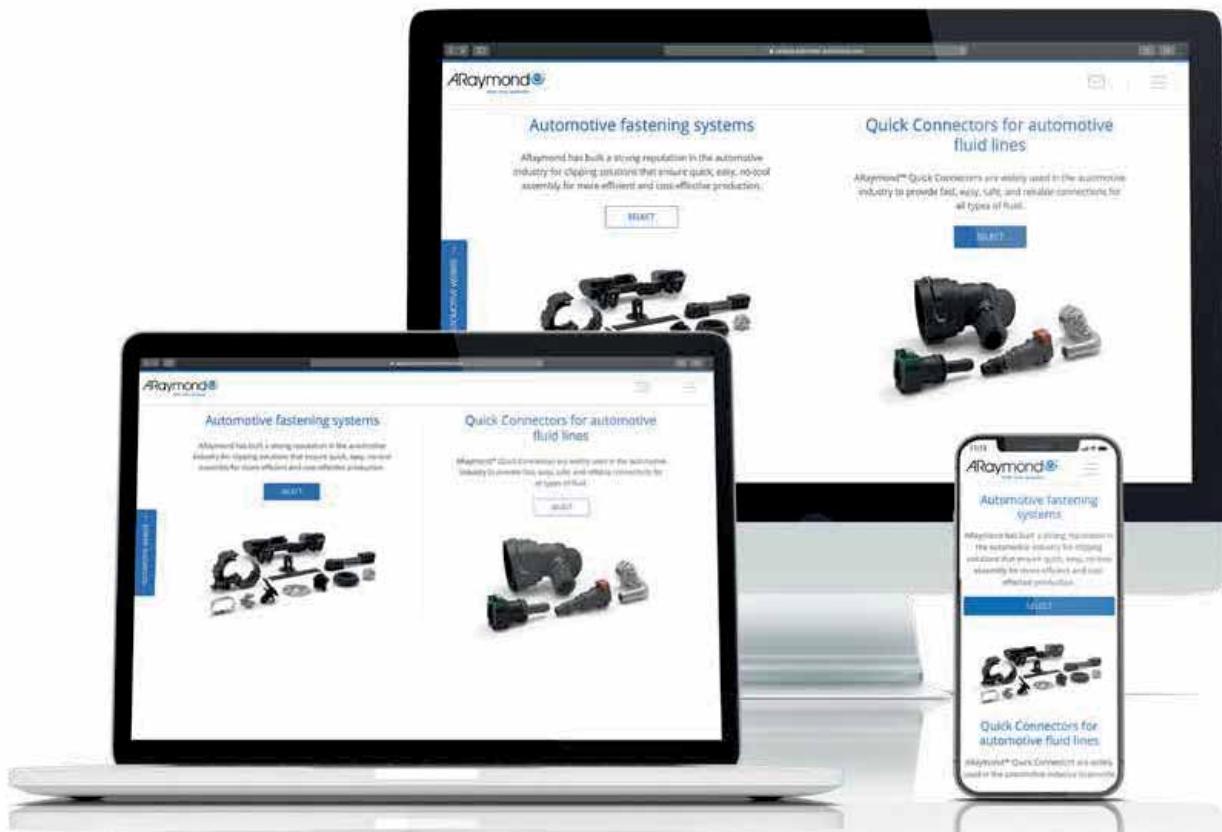
***Don't hesitate to contact us for insights and technical support!***

## ON LINE CATALOG

---

[catalog.araymond-automotive.com](http://catalog.araymond-automotive.com)

Join us on our [website](http://www.araymond-automotive.com) and discover the online catalog.



# ARAYMOND - EXPERT IN THE COMPLETE PRODUCT DEVELOPMENT PROCESS



At ARaymond we capitalize on a complete spectrum of capabilities in the product development life cycle to design innovative assembly solutions.

By understanding your needs and taking into account your manufacturing processes and methods, our experts are able to design personalized assembly solutions for your specific needs. We offer automation and assembly-line analysis, as well as process development as part of our comprehensive strategic approach for improving customer productivity.

In the product development process, digital simulation has been fully integrated for non-linear and dynamic mechanics, rheology, and thermal and fluid transfer treatment.

# GENERAL SUMMARY

## CABLE & TUBE FASTENERS ..... 6

Cable straps .....	p.7
Tape-on clips .....	p.51
Modular tubes, pipes & harness clips .....	p.78
Tube holders .....	p.81
Spacers .....	p.277

## ELECTRICAL CONNECTOR HOLDERS..... 335

Connector holders .....	p.336
-------------------------	-------

## PANEL & TRIM FASTENERS ..... 358

Panel clips - U-clips .....	p.360
Panel clips - S-clips .....	p.364
Panel clips - W-clips .....	p.368
Panel clips - Snap on clip .....	p.369
Pre-mounted panel fasteners - Flange clips .....	p.373
Pre-mounted panel fasteners .....	p.383
Panel pins - Push-pins .....	p.395
Panel pins - Push-rivets .....	p.412
Panel pins - Quarter turn and others .....	p.419
Panel pins in two or more pieces .....	p.420

## PROTECTING & FINISHING ..... 426

Elastic anti creeping rings .....	p.428
Non elastic anti creeping rings .....	p.438
Plugs and grommets - Grommet .....	p.446
Plugs and grommets - Plug .....	p.449
Plugs and grommets - Protector bolt head .....	p.464
Washers .....	p.468

## THREADED FASTENERS AND RETAINERS ..... 469

Nuts .....	p.470
Bolts .....	p.502
Screw holding clips .....	p.504

## SHAFT & LINKAGE FASTENERS..... 505

Translation lock and rotation guides .....	p.506
Push-on stud retainers .....	p.508
Stud receivers .....	p.525

## ADAPTERS ..... 529

ARaymond product adapters .....	p.530
---------------------------------	-------

## VEHICLE SPECIFIC DEVELOPMENT ..... 538

Brackets .....	p.538
Cable channels .....	p.540
Covers & protectors .....	p.542
Custom development & manufacturing expertise .....	p.544
Closure bumpers .....	p.545
Washer systems & accessories .....	p.546
Quick Connectors .....	p.547
Bonding solutions .....	p.548
Part number index .....	p.550
Alphabetical product index .....	p.568
Contacts .....	p.576

# METAL AND PLASTIC EXPERTISE

## METAL TRANSFORMATION

At ARaymond we manage all major metal transformation processes—cutting, bending and stamping. We work with spring steel, stainless steel, brass and copper in thicknesses of 0.2 to 6.35 mm, and can provide single or multi-layer surface treatments (Zn, Zn-Ni, Zn-Fe, etc.). We have in-house capabilities to handle the entire process from design to production, surface treatment and quality control and we have the capacity to produce up to 140 million pieces per year for a specific reference.



## PLASTIC INJECTION

The ARaymond facilities are equipped with late model, standard and bi-injection molding machines with the capability to run less than 10 second cycle times and manage 128-cavity molds. Our bi-injection and overmolding processes are compatible with over 300 thermoplastic materials (polyamide, polyethylene, polyvinyl acetates, polypropylenes and more).

**For applications calling for tracking, RFID (Radio Frequency IDentification) tags can be incorporated directly into the product.**

### Bi-injected cable strap

Excellent sealing performance to protect against water ingress for round and oval holes.



## ASSEMBLY

ARaymond's plants worldwide handle all modes of assembly: manual, semi-automated and cycle-time optimized fully automated assembly. Our many years of experience have made us experts in designing and building semi and fully automatic assembly machines and devices.





### Airbag clip

High retention performance side curtain airbag fastening and retention for safety of all passengers. Easy pre-assembly into the airbag module with flexible and adaptive legs for a simple manual assembly into the car body.



### Overmolded tape-on clip with integrated metal starwasher

For mounting on plastic or plain metal studs. Repeatable high assembly quality preventing squeaks and rattles.



### Multi-material bracket with ultrasonic welded plastic interface and crimped nut

An assembly that combines the best of each material: strength for the metal bracket, and design freedom for the plastic receiver. The final assembly is managed with a tool designed by ARaymond to improve assembly ergonomics.



# CABLE & TUBE FASTENERS

CABLE & TUBE FASTENERS



# CABLE STRAPS



## 1 HOUSING

No attachment .....	p.8
Edge mount - panel parallel.....	p.9
Edge mount - above panel edge .....	p.11
Blind round hole mount.....	p.13
Round hole mount - expanding pins.....	p.14
Round hole mount - anchor.....	p.15
Round hole mount - fir tree .....	p.18
Square hole mount with off-set .....	p.22
Oblong hole mount .....	p.23
Oblong hole mount with off-set.....	p.25
Threaded stud mount .....	p.26
Threaded stud mount with off-set.....	p.27

## 2 HOUSINGS

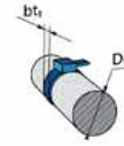
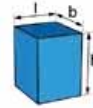
1 Strap & 1 tube holder for corrugated hose .....	p.29
1 Strap & 1 tube holder.....	p.30
2 Straps .....	p.43
1 Strap & 1 tape-on .....	p.44
Round hole mount.....	p.45
Oblong hole mount .....	p.46
Threaded stud mount .....	p.47

## 3 HOUSINGS

3 Housings.....	p.48
-----------------	------

# CABLE STRAP

## 1 HOUSING - NO ATTACHMENT

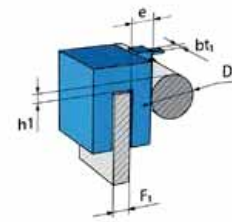
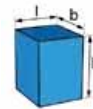
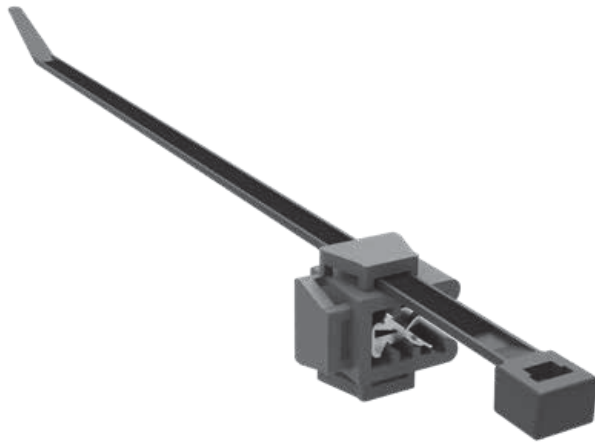


All dimensions in mm / Other dimensions and variants on request.

Ref.	Design	D1	bt1	l x b x h
258365		0.8-35	3.4	144.7 x 6.1 x 4.5
226586		1-40	6	301.5 x 9.6 x 1.5
258642		1-50	4.6	199.7 x 7.9 x 5.9
207290		1.6-50	7.9	193 x 7.9 x 6
014691		6-45	4.25	176.4 x 8.5 x 5.5
013429		6-60	6	218.7 x 10.5 x 6.5
003274		10-51	4.85	202 x 4.6 x 1.2
013430		60-135	6	459 x 10.5 x 6.5

# CABLE STRAP

## 1 HOUSING - EDGE MOUNT - PANEL PARALLEL

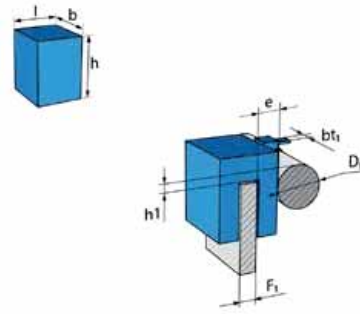


All dimensions in mm / Other dimensions and variants on request.



Ref.	Design	D1	F1	bt1	e	h1	l x b x h
255208		1-35	0.5-2.5	3.8	6		160.2 x 10 x 12
255205		1-35	0.5-2.5	3.8	6	0	160.2 x 10 x 12
082653		1.5-43	1.5-3.5	4.5	5.5	11.9	191 x 11.4 x 18.9
210049		1.5-45	1.5-3.5	4.5	5.5		195 x 15.6 x 16
237878		1.5-50	1.5-3	3.8	7.3		200 x 24.2 x 18.2
238062		4-45	1.5-3.5	5	8.8	18.6	200 x 12 x 17.6
238061		4-45	1.5-3.5	5	8.8	18.6	200 x 12 x 17.2
255833		8-33	2-4	4.5	14.8		140 x 16 x 20.8

# CABLE STRAP

## 1 HOUSING - EDGE MOUNT - PANEL PARALLEL

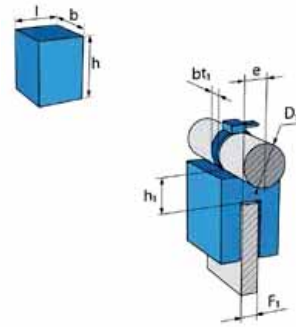
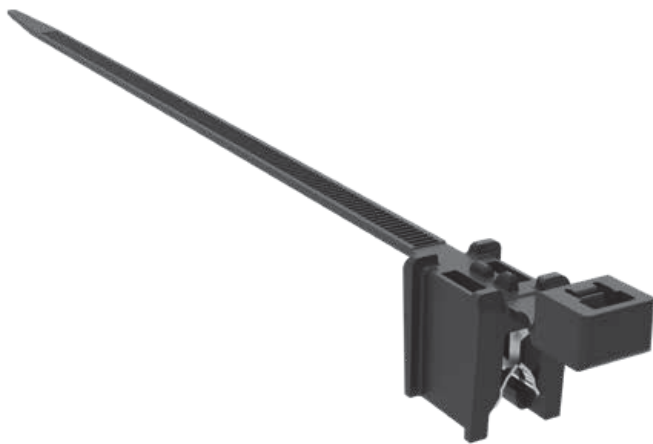


All dimensions in mm / Other dimensions and variants on request.

Ref.	Design	D1	F1	bt1	e	h1	l x b x h
229797		10-40	3-11	9	34	13-28	189.5 x 25 x 50
229796		10-40	11-20	9	34	13-28	189.5 x 25 x 59

# CABLE STRAP

## 1 HOUSING - EDGE MOUNT - ABOVE PANEL EDGE

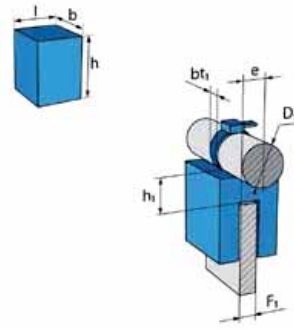


All dimensions in mm / Other dimensions and variants on request.

Ref.	Design	D1	F1	h1	e	bt1	l x b x h
255207		1-35	0.5-2.5	6		3.8	160.5 x 10 x 12
255206		1-35	0.5-2.5	6		3.8	160.5 x 10 x 12
190042		1.5-40	0.7-2.5	13		4.8	182.5 x 19 x 19
082652		1.5-43	1.5-3.5	11.9			191 x 11.4 x 18.9
244902		1.5-43	1.5-3.5	11.9		4.5	180 x 12 x 18.8
245156		1.5-43	1.5-3.5	11.9		4.6	191 x 11.4 x 18.8
082651		1.5-43	1.5-3.5	11.9		4.6	188-194 x 11.4 x 18.9
201450		1.5-43	4.5-5.5	17.4	60	4.5	180 x 20 x 23.8

# CABLE STRAP

## 1 HOUSING - EDGE MOUNT - ABOVE PANEL EDGE

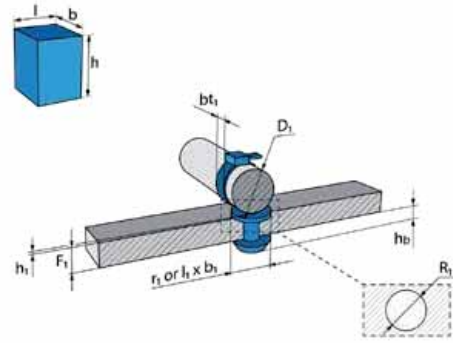


All dimensions in mm / Other dimensions and variants on request.

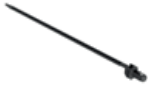
Ref.	Design	D1	F1	h1	e	bt1	l x b x h
237875		1.5-50	1.5-3	7.1-30.6		3.8	200 x 18.2 x 24.2
232498		4-45	1.5-3.5	6.7-27.2	2.4	5	200 x 12 x 17.2
238060		4-45	1.5-3.5	6.7-27.2	2.4	5	200 x 12 x 17.2
212814		5-24	4-7	9.8		4.2	137 x 12 x 27.15
240745		8-50	4-6	11.4-14.4	0	4.4-4.6	213 x 15 x 31.5
061164		10-28	3-4	4	8	7	189.2 x 33 x 20

# CABLE STRAP

## 1 HOUSING - BLIND ROUND HOLE MOUNT

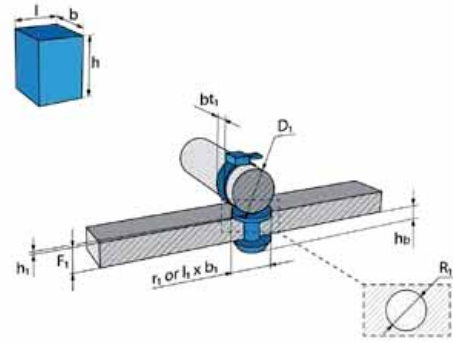
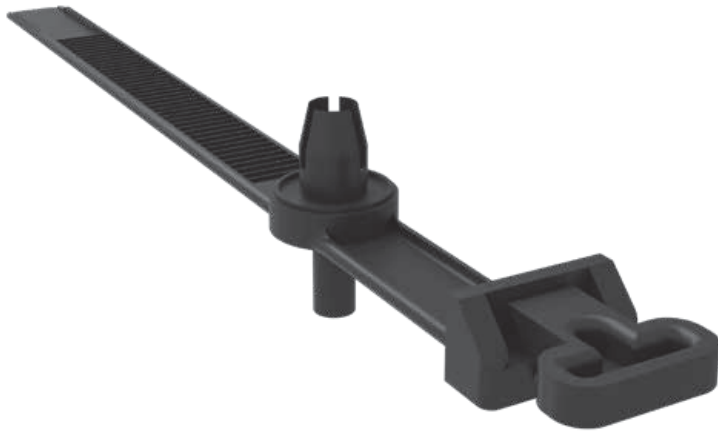


All dimensions in mm / Other dimensions and variants on request.

Ref.	Design	D1	R1	h1	r1 or l1 x b1	hb	bt1	l x b x h
251920		0.5-35	5.8-6.2	10	10	9.5	3.6	160 x 10 x 10

# CABLE STRAP

## 1 HOUSING - ROUND HOLE MOUNT - EXPANDING PINS

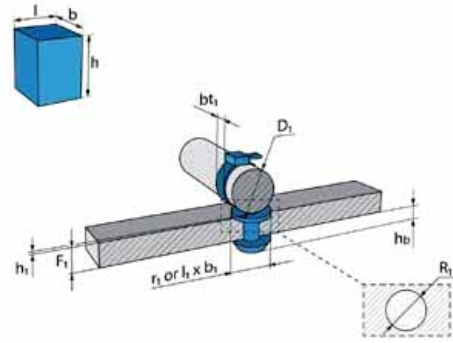


All dimensions in mm / Other dimensions and variants on request.

Ref.	Design	D1	R1	F1	h1	r1 or l1 x b1	hb	bt1	l x b x h
233038		8-25	8-8.1	0.5-3	3	9.2	7	7	118.5-122.5 x 11 x 22.5
064575		10-28	6.3	0.5-3	3		4.8-7.3	9	138 x 14 x 19
081827		10-70	14.9-16.1	4.5	17.5	25 x 25	10	9	25 x 25 x 37

# CABLE STRAP

## 1 HOUSING - ROUND HOLE MOUNT - ANCHOR

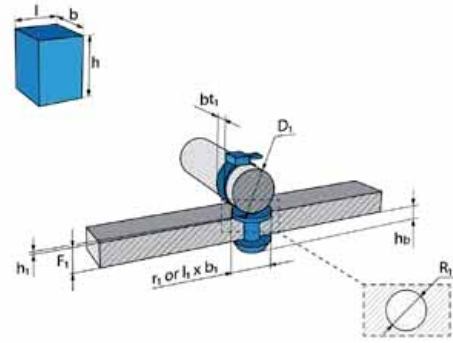


All dimensions in mm / Other dimensions and variants on request.

Ref.	Design	D1	R1	F1	h1	r1 or l1 x b1	hb	bt1	l x b x h
210666		0.5-25	6.2-7.2	0.6-3	5.4	16	6-9.5	3.6	129.43 x 16 x 16
205246		0.5-25	6.5	0.8-1.5	4	16	6	3.8	127 x 16 x 16
214948		0.5-25	6.5-6.7	0.6-1.3	7	18.25	6	3.6	127.1 x 18.25 x 18.25
222922		0.5-30	6.5-6.7	0.7-1.2	7.5	16	7	4.8	144 x 8.5 x 16
224699		1-15	6.2-6.8	0.6-1.25	7.65	22.3	9	4.5	22.3 x 22.3 x 156.2
230346		1-15	6.2-6.8	1.25-2	7.65	22.3	9	4.5	22.3 x 22.3 x 152.1-162.1
259089		1-20	6.5-6.7	0.5-3	18.5		6.5	5	124.5 x 20 x 20
235765		1-45	7.8-8.2	0.6-1.9	6	21.5	8	5	

# CABLE STRAP

## 1 HOUSING - ROUND HOLE MOUNT - ANCHOR



All dimensions in mm / Other dimensions and variants on request.

Ref.	Design	D1	R1	F1	h1	r1 or l1 x b1	hb	bt1	l x b x h
235770		1-45	7.8-8.2	1.9-3.2	5	21.5	6.8	5	
200014		1.5-13	4.9-5.1	1.7-1.9	5	15	4.2	4.5	92 x 15 x 12.8
223778		1.5-25	6.5-6.7	0.7-1.7	7	18.25	7	3.6	130 x 18.25 x 18.25
208025		2-30	6.1-6.5	0.8-2.8	6	9 x 18	8	4.4	145.7 x 8.5 x 20-50
219784		2-36	6.9-7.1	0.6-2.6	7.4	16	5.48-7.58	4.8	160 x 16 x 16
175057		2-40	6.5	0.7-1.8		16		4.8	168 x 16 x 16
205679		2.5-30	22-22.2	1	2	22.4	13		131 x 24.67 x 21.65
015246		3-45	5.9-6.5	0.8-2.5	2.2	20 x 10	7	7	179.8 x 11.5 x 12.5
248116		8-20	6.5-6.7	0.5-2.5	15	21	6.8	7	106 x 11 x 21.8

# CABLE STRAP



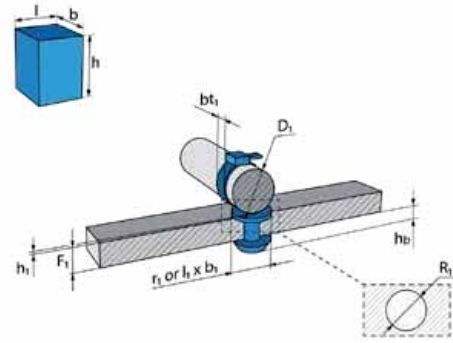
## 1 HOUSING - ROUND HOLE MOUNT - ANCHOR

All dimensions in mm / Other dimensions and variants on request.

Ref.	Design	D1	R1	F1	h1	r1 or l1 x b1	hb	bt1	l x b x h
245394		8-20	16-18	1.5-1.8	13	26	9.5	7	106 x 26 x 23.4
014568		8-35	6.5-6.7	0.7-1.5	10	18	7.3	4.5	157.3 x 8.5 x 11
227866		8-50	6.5-6.7	0.8-2	13.9	20	7	4.5	213 x 10 x 21
015578		14-32	6.5-6.7	0.7-3	2.5	18 x 12	7		126 x 10 x 23
245186		46-95	6.5-6.7	0.8-2	14	20	6	7	350 x 20 x 21

# CABLE STRAP

## 1 HOUSING - ROUND HOLE MOUNT - FIR TREE



All dimensions in mm / Other dimensions and variants on request.

Ref.	Design	D1	R1	F1	h1	r1 or l1 x b1	hb	bt1	l x b x h
216956		0.5-25	5.4-5.6	0.6-3	6.5	6 x 16	5.6-8	3.8	128 x 16 x 8.4
210600		0.5-25	6.5-6.7	0.6-4	6.5	16.4	5.1-8.5	3.8	129.74 x 16.4 x 16.4
201836		1-30			10.86	18		4.8	156.96 x 18 x 18
214383		1-35	6.3-7	0.7-7	8.1	18	5.4-11.7	4.5	161.5 x 18 x 18
164460		1-40	6.1-6.9	0.7-4	6.1	16	11.2-7.2	4.8	188 x 16 x 16
164448		1-40	6.1-6.9	0.7-4	8	16	8.4	4.8	185.4 x 16 x 16
213254		1-40	7.6-8.4	2-9.5	7.5	15.5-16.5	17	4.8	194.5 x 15.5-16.5 x 15.5-16.5
248194		1.5-43	6.4-6.6	0.6-2.5	0.6	16.4	10.7	4.5	180 x 16.4 x 16.2

# CABLE STRAP



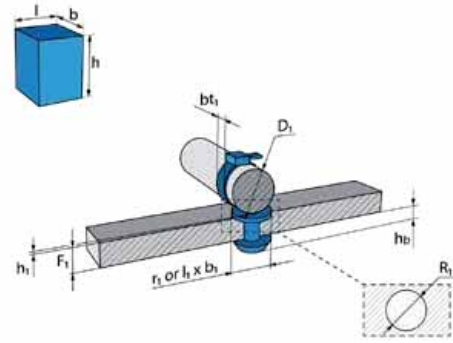
## 1 HOUSING - ROUND HOLE MOUNT - FIR TREE

All dimensions in mm / Other dimensions and variants on request.

Ref.	Design	D1	R1	F1	h1	r1 or l1 x b1	hb	bt1	l x b x h
019667		1.5-43	6.4-6.6	0.6-2.5	3.3	16.4	5.7-7.6	4.5	180 x 16.4 x 16.2
018061		1.5-43	6.4-6.6	0.6-2.5	3.75	16.4	5.7-7.6	4.5	180 x 8.5 x 16.2
175149		1.5-43	6.4-6.6	0.6-5	7	16	5-9.4	4.8	186.5 x 16 x 16
240814		1.5-43	6.4-6.6	0.8-8	3.6	20	8.7-15.9	4.5	180 x 20 x 24.5
190041		1.5-43	6.5	0.6-2.5				4.5	180.5 x 16.4 x 16.2
175179		2-29	8	0.8-5		10 x 16		4.8	146.2 x 16 x 10
056350		3-40	6.55-6.9	0.5	14.2	24	8.7-11.2	4.7	24 x 24 x 182.4
228064		4-45	6.5-7	0.9-3	1.2		16.3	4.6	
242531		4-45	9.7-11	0.9-5	6.2	18	7.3-11.4	5	200 x 8 x 18.5
231439		4-50	5.4-5.6	0.6-3	6.25	25.5 x 10	7.8-10.2	5	200 x 16.8 x 25.5
256174		8-33	6.5-6.7	0.6-6	11.3	18	6.45-11.85	4.5	140 x 8.5 x 18

# CABLE STRAP

## 1 HOUSING - ROUND HOLE MOUNT - FIR TREE



All dimensions in mm / Other dimensions and variants on request.



Ref.	Design	D1	R1	F1	h1	r1 or l1 x b1	hb	bt1	l x b x h
248578		8-33	6.5-6.7	0.6-6	11.3	18	7-12.4	4.5	140 x 18 x 24
262253		8-33	6.5-6.7	0.6-6	27.8		6.5-11.9	4.5	140 x 9 x 40.25
233095		8-33	6.5-6.7	0.8-6	19.1	20	4-9	4.5	140 x 10 x 30.85
225574		8-33	7.8-8.2	0.8-8	11.6	20	5-12	4.5	140 x 20 x 24.55
249418		8-33	12-12.2	0.8-6	12.2	24	6.1-11.3	4.5	140 x 24 x 24.2
215633		8-45	9.7-10	0.8-5					200 x 4.6 x 1.3
218797		8-50	6.5-6.7	0.8-6	13.6	20	4-9	4.5	213 x 20 x 24.1
239025		8-50	6.5-6.7	0.8-6	23.8	20	4-9	4.5	213 x 10 x 34.2
247360		8-50	6.5-6.7	0.8-6	37.1	20	5-10.2	4.5	213 x 20 x 50

# CABLE STRAP



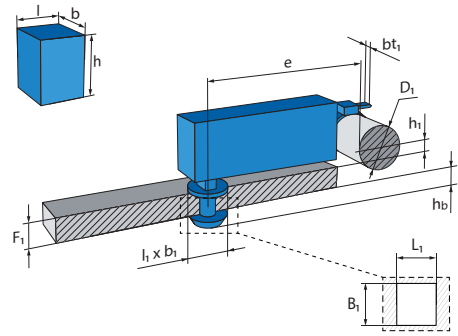
## 1 HOUSING - ROUND HOLE MOUNT - FIR TREE

All dimensions in mm / Other dimensions and variants on request.


Ref.	Design	D1	R1	F1	h1	r1 or l1 x b1	hb	bt1	l x b x h
214405		8-50	10.7-10.9	0.8-10	4	18	9-18.2	4.8	196.5 x 18 x 26.8
222943		30-80	8	0.8-6		20	6-11.2	8	293.8 x 12.5 x 22.2

# CABLE STRAP

## 1 HOUSING - SQUARE HOLE MOUNT WITH OFF-SET

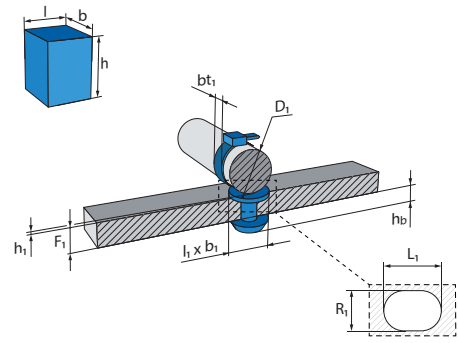


All dimensions in mm / Other dimensions and variants on request.

Ref.	Design	D1	L1 x B1	F1	l1 x b1	h1	hb	bt1	l x b x h
248754		5-15	6.8 x 6.5	0.65-0.75	8.5 x 20	11	5.5	4.8	79 x 20 x 20

# CABLE STRAP

## 1 HOUSING - OBLONG HOLE MOUNT

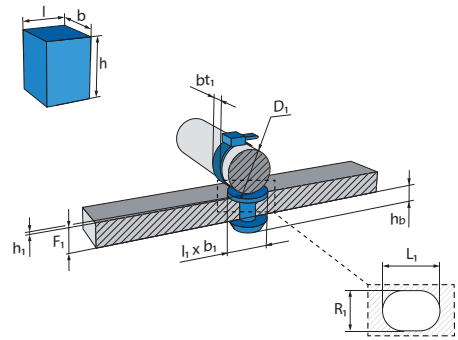


All dimensions in mm / Other dimensions and variants on request.

Ref.	Design	D1	L1 x R1	F1	l1 x b1	h1	hb	bt1	l x b x h
219956		0.5-25	12.1-12.3 x 6.1-6.3	0.6-3	22 x 16	7	5.6-8	3.8	128.2 x 16 x 22
234419		0.5-25	12.1-12.3 x 6.1-6.3	0.6-3	22 x 16	7.3	4.4-6.8	3.8	22 x 16 x 128
240639		1-25	12-13 x 6.1-6.7	0.5-2.5	16 x 22	2.7	4.5-6.5	3.8	130 x 22 x 16
240638		1-25	12-13 x 6.1-6.7	0.5-2.5	22 x 16	2.7	6.4	3.8	130 x 16 x 22
235767		1-45	11.8-12.2 x 6.8-7.2	0.6-1.9	24.8 x 20.9	5	8.1	5	24.8 x 20.9 x 194.2
235769		1-45	11.8-12.2 x 6.8-7.2	1.9-3.2	24.8 x 20.9	6	6.8	5	24.8 x 20.9 x 194.2
224721		1-45	12.1-12.9 x 6.1-6.9	0.6-1.25	23.6 x 23.6	6.5	9.3	5	23.6 x 23.6 x 187.6-197.6
230347		1-45	12.1-12.9 x 6.1-6.9	1.25-2	23.6 x 23.6	2.5	6.8	5	23.6 x 23.6 x 187.6-197.6

# CABLE STRAP

## 1 HOUSING - OBLONG HOLE MOUNT

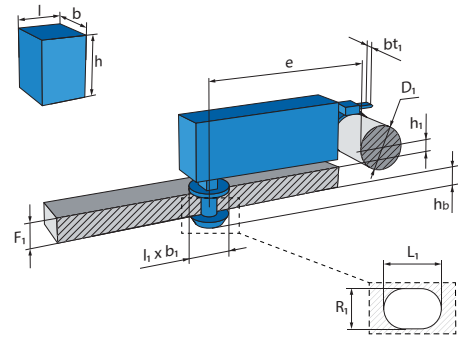


All dimensions in mm / Other dimensions and variants on request.

Ref.	Design	D1	L1 x R1	F1	l1 x b1	h1	hb	bt1	l x b x h
242917		1.5-25	12.05-12.3 x 6.05-6.3	0.7-3	16.4 x 22.4	6	3-5.3	3.8	16.4 x 22.4 x 127
214659		1.5-25	12.2 x 6.2	0.7-3	22.4 x 16.4	6.15	3.1-6.2	4	127.75 x 16.4 x 22.4
218391		3-25	12-12.2 x 7-7.2	0.65-2.6	21 x 16	7.7	5.3-7.25	7.3	156 x 28 x 42
056299		3-40	12.2 x 6.2	0.5-3		5	6	4.5	24 x 24 x 178
239340		8-33	12.1-12.3 x 6.1-6.3	0.6-3	22.4 x 16.4	22.45	3-5.4	4.5	140 x 10 x 28.15
217057		8-33	12.1-12.3 x 6.1-6.3	0.6-3	22.4 x 16.4	29	5.6-8	4.5	140 x 16.4 x 34.5

# CABLE STRAP

## 1 HOUSING - OBLONG HOLE MOUNT WITH OFF-SET

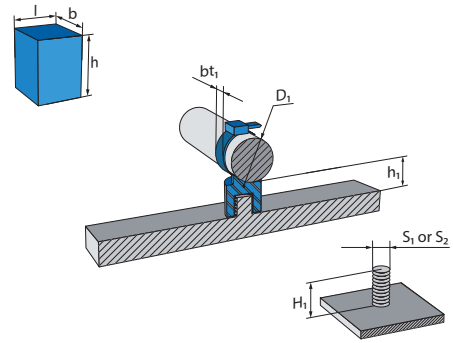


All dimensions in mm / Other dimensions and variants on request.

Ref.	Design	D1	L1 x R1	F1	l1 x b1	bt1	h1	hb	l x b x h
233615		3-25	12-12.2 x 7-7.2	0.65-2.6	21 x 16	7.3	21.5	5.3-7.25	157.6 x 21 x 36
232714		10-28	20 x 11	1.2	19.6 x 28.6	5	12	11.7	161.8 x 28.6 x 25

# CABLE STRAP

## 1 HOUSING - THREADED STUD MOUNT

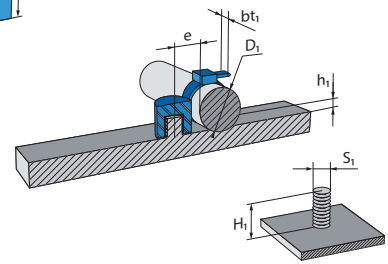
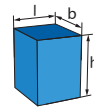
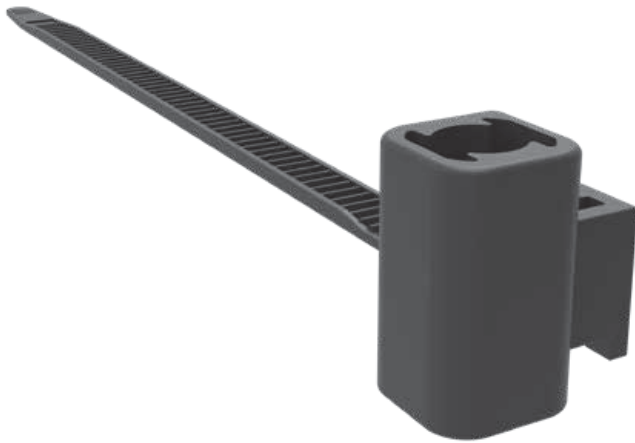
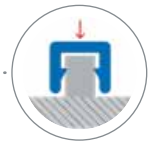


All dimensions in mm / Other dimensions and variants on request.

Ref.	Design	D1	H1	S1	S2	h1	bt1	l x b x h
255492		1-33	14.2	T5 Stud		32.5	5	172.5 x 11 x 11
201614		1.5-40	12	T5 Stud	M6 x 1,00	21.5	4.5	28 x 28 x 175.45
201335		1.5-40	14.2	T5 Stud		15	4.8	187.3 x 9 x 21
056462		5-20	12.5	T5 Stud		4.8	9	110 x 30 x 16.8
230277		8-33	12	M6 x 1,00		34.75	4.5	140 x 10 x 34.75
230853		8-33	14.2	T5 Stud		27.75	4.5	140 x 11 x 27.75
015770		10-55	9	T5 Stud		10		222.5 x 18.5 x 15.8

# CABLE STRAP

## 1 HOUSING - THREADED STUD MOUNT WITH OFF-SET

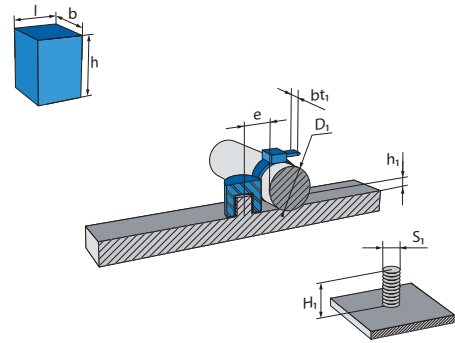


All dimensions in mm / Other dimensions and variants on request.

Ref.	Design	D1	H1	S1	h1	e	bt1	l x b x h
214658		0.5-25	4 min	T5 Stud	1	11.5	3.8	131 x 21 x 6.9
251245		0.5-35	16	T5 Stud		14.5	3.6	165 x 20 x 16.5
164459		1-40	14.2	M6 x 1,00		5	4.55	184.5 x 24 x 18.5
175207		1-40	14.2	T5 Stud	2	7	4.8	178 x 15.5 x 15
108409		1.5-40	16	T5 Stud	5-24.3	11.8	4.2	181 x 22 x 16
175084		2-22	14.2	T5 Stud		4.5	4.8	115.5 x 15.3 x 15
203449		2-40	6 min	T5 Stud	3.75-22.75	10.6	4.5	171.3 x 16 x 17.5
175170		2-40	10-14	T6 Stud		13	4.5	183.25 x 17 x 15

# CABLE STRAP

## 1 HOUSING - THREADED STUD MOUNT WITH OFF-SET

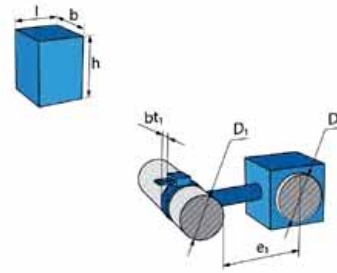
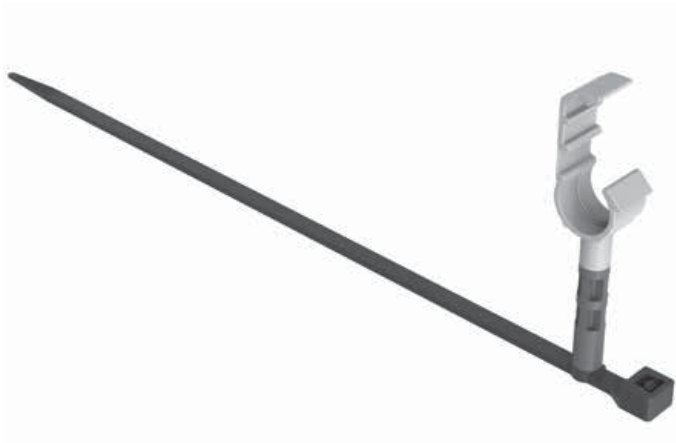


All dimensions in mm / Other dimensions and variants on request.

Ref.	Design	D1	H1	S1	h1	e	bt1	l x b x h
202587		2-40	10-25	M8 x 1,25	4.7-23.7	15	4.8	183.5 x 19 x 27.5
251691		2-40	20	M8 x 1,25	24.5	14.5	4.8	183 x 19 x 24.5
243337		8-33	12	M6 x 1,00		24.2	4.5	140 x 10 x 30.2
222339		8-50	14.2	T5 Stud	13	12	4.5	37.3 x 34 x 18
244254		13-44	14.2	T5 Stud			4.5	185.1 x 18.5 x 24.8

# CABLE STRAP

2 HOUSINGS - 1 STRAP & 1 TUBE HOLDER FOR CORRUGATED HOSE

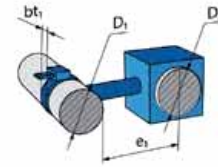
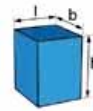


All dimensions in mm / Other dimensions and variants on request.









Ref.	Design	D1	D2	e1	bt1	l x b x h
251704		8-50	8.5-11.7	41.2	4.5	213 x 10 x 46
222583		8-50	21	21.5	4.5	213 x 20 x 52.4
215723		8-75	4.5-7.1	15.6	7	279 x 11 x 31.33

# CABLE STRAP

2 HOUSINGS - 1 STRAP & 1 TUBE HOLDER



All dimensions in mm / Other dimensions and variants on request.

Ref.	Design	D1	D2	e1	bt1	l x b x h
246174		1-20	6-6.5	18.5	5	122.7 x 8.2 x 11.6
248473		1-20	14-15	33.2	5	143 x 15 x 24
248073		1-20	18-20	24	5	138 x 12 x 22
235775		1-30	8.5-10	15.7-16.5	4.5	141 x 11 x 27.6
235824		1-30	9-15	19.5	4.5	141 x 16 x 50
237137		1-30	19	21.5	4.5	141 x 15 x 52.8
235776		1-30	19.5-21.5	21.9-22.9	4.5	141 x 12 x 40
237415		1-30	20-21.5	22.5-23.5	4.5	141 x 15 x 57.5

# CABLE STRAP



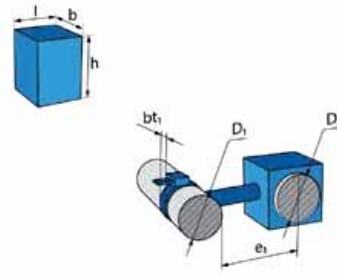
## 2 HOUSINGS - 1 STRAP & 1 TUBE HOLDER

All dimensions in mm / Other dimensions and variants on request.

Ref.	Design	D1	D2	e1	bt1	l x b x h
240363		1-30	20-25	21.9-24.4	4.5	141 x 11 x 42.3
237414		1-30	30-40	27-32	4.5	154 x 11 x 70
235821		1-30	40-50	32-37	4.5	160 x 11 x 66.6
243239		1-30	41.5-44		4.5	148.7 x 14 x 66.2
235277		1-30	50-60	37-42	4.5	165 x 11 x 76.6
235654		1-40	4-6	16.5	4.8	184 x 17.5 x 13
235918		1-40	6-10	18.5	4.8	189.7 x 13 x 20.1
235920		1-40	10-17	22.5	4.8	197.7 x 13 x 28.3
235922		1-40	17-27	29.5	4.8	211.9 x 12 x 42.1
235923		1-40	27-40	38.5	4.8	228.5 x 13 x 59.6
249339		1-50	14-15	33.15	5	260 x 15 x 28

# CABLE STRAP

## 2 HOUSINGS - 1 STRAP & 1 TUBE HOLDER



All dimensions in mm / Other dimensions and variants on request.

Ref.	Design	D1	D2	e1	bt1	l x b x h
250050		1-50	17	25.3	5	249 x 20 x 28
250037		1-50	17	35.3	5	259 x 20 x 28
252765		1-50	21.5-22.5	28.5	5	260 x 20 x 35
253202		1-50	22-24	28.3	5	260 x 20 x 28
248495		1-50	25.1-25.9	28.3	5	258 x 20 x 35
241820		1-50	38-45	33	5	270 x 10 x 55
238945		1.5-30	11-13	17.3-18.3	4.5	141 x 11 x 31.4
135030		3-33	22-24	22.5-24.5	7	35 x 12 x 140
219745		6-6.5	8-50	14	4.5	213 x 8.5 x 19

# CABLE STRAP



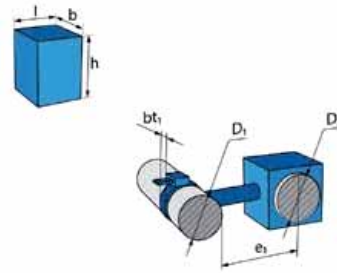
## 2 HOUSINGS - 1 STRAP & 1 TUBE HOLDER

All dimensions in mm / Other dimensions and variants on request.

Ref.	Design	D1	D2	e1	bt1	l x b x h
246214		6-7	1-30	14.7-15.2	4.5	141 x 11 x 23.6
228094		7.2-7.5	8-50	14.6	7	219.5 x 11 x 21.7
245640		8-20	7.8-8.5	15.4	7	100 x 10 x 20
213111		8-20	9.5-11	18	7	106 x 10 x 25
235467		8-20	10-14	17.5	7	100 x 10 x 28
060698		8-20	11-13	18	7	106 x 11 x 25.5
221114		8-20	14-15	19.5	7	106 x 11 x 28.61
220173		8-20	19-21	22.8	7	106 x 20 x 53.8
155191		8-20	20-22	20.5	7	99-101 x 12 x 34
168796		8-33	4.3-5.2	11.75-13.75	4.5	15.25 x 10 x 135-145
250090		8-33	4.3-5.2	22.8	4.5	140 x 10 x 26

# CABLE STRAP

## 2 HOUSINGS - 1 STRAP & 1 TUBE HOLDER



All dimensions in mm / Other dimensions and variants on request.

Ref.	Design	D1	D2	e1	bt1	l x b x h
248825		8-33	4.3-5.2	29.25	4.5	140 x 10 x 33
251243		8-33	4.3-5.2	36.3	4.5	40 x 10 x 140
246080		8-33	6-10	16.3	4.5	140 x 23.75 x 10
255288		8-33	7.5-8	14	4.5	140 x 7.5 x 20
219866		8-33	8-9	17.25	4.5	140 x 8.5 x 22.75
168797		8-33	9.5-10.5	15-17	4.5	135-145 x 10 x 21.25
235598		8-33	9.5-10.5	26.05	4.5	140 x 10 x 32.75
249107		8-33	9.5-10.5	27.75	4.5	140 x 10 x 39.25
226307		8-33	10-12	32.75	4.5	140 x 10 x 41.75

# CABLE STRAP



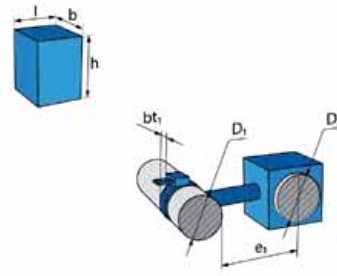
## 2 HOUSINGS - 1 STRAP & 1 TUBE HOLDER

All dimensions in mm / Other dimensions and variants on request.

Ref.	Design	D1	D2	e1	bt1	l x b x h
213089		8-33	11-13	16	4.25	140 x 10 x 24.25
168803		8-33	11-13	16.8	4.5	22 x 10 x 140
251178		8-33	11.5-13	33.8	4.5	140 x 10 x 37
248827		8-33	14-15	25.55	4.5	140 x 10 x 34
168822		8-33	14.5-15.5	18.5	4.5	135-145 x 10 x 26.25
168804		8-33	15-16	17.3-19.3	4.5	135-145 x 10 x 26.3
168781		8-33	18-20	18.75-20.75	4.5	135-145 x 12 x 30
261111		8-33	22-24	31.8	7	146 x 20 x 50
251948		8-33	22-24	41.8	7	146 x 20 x 74.9
255867		8-33	25	33.8	4.5	140 x 12 x 42
216746		8-33	26-28	24.25	4.5	141 x 12 x 44.1

# CABLE STRAP

2 HOUSINGS - 1 STRAP & 1 TUBE HOLDER



All dimensions in mm / Other dimensions and variants on request.

Ref.	Design	D1	D2	e1	bt1	l x b x h
225723		8-33	28-30	37	7	146 x 12 x 55.3
215002		8-33	33-35	30.25	4.5	158 x 16 x 76.24
254445		8-33	33-38	45.8	4.5	140 x 16 x 70
223346		8-33	38-45	35.25-37.25	4.5	135-145 x 10 x 58.75
168823		8-50	4.3-5.2	11.8-13.8	4.5	208-218 x 10 x 15.4
221354		8-50	4.3-5.2	13.5	4.5	213 x 10 x 17.21
168750		8-50	6-6.5	13-15	4.5	208-218 x 8.5 x 19
155185		8-50	7.8-8.5	25.5	7	213.5 x 11 x 21
213660		8-50	8-9	15	4.5	213 x 8.5 x 20.5

# CABLE STRAP



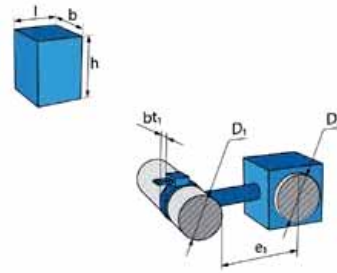
## 2 HOUSINGS - 1 STRAP & 1 TUBE HOLDER

All dimensions in mm / Other dimensions and variants on request.

Ref.	Design	D1	D2	e1	bt1	l x b x h
060787		8-50	8-9	15	7	219 x 11 x 20.5
168869		8-50	8-9	16.2-18.2	4.5	208-218 x 8 x 21.7
251704		8-50	8.5-11.7	41.2	4.5	213 x 10 x 46
168824		8-50	9.5-10.5	16	4.5	213 x 10 x 21.25
203081		8-50	10-11.5	15	7	220 x 11 x 22
233316		8-50	10-14	16.8-18.8	4.5	213 x 9.2 x 28
168809		8-50	11-13	15.8-17.8	4.5	208-218 x 10 x 23.3
233733		8-50	12.5-13	19	4.5	213 x 10 x 40.73
131283		8-50	13-14	17.25	7	219 x 11 x 22.5
155179		8-50	13-14	17.5	7	220 x 11 x 27
168782		8-50	14-15	17.5-19.5	4.5	208-218 x 10 x 26

# CABLE STRAP

## 2 HOUSINGS - 1 STRAP & 1 TUBE HOLDER



All dimensions in mm / Other dimensions and variants on request.

Ref.	Design	D1	D2	e1	bt1	l x b x h
061169		8-50	15-16	18	7	219 x 11 x 27.5
168752		8-50	15-16	18.3	4.5	213 x 10 x 28.8
250357		8-50	15-16	28	4.5	213 x 10 x 38.5
249640		8-50	16-18	19.5	4.5	213 x 12 x 29
245017		8-50	16-18	19.5	4.5	213 x 8.5 x 30.65
240275		8-50	18-20	43	4.5	213 x 12 x 55
248318		8-50	19-24.5	20.5	4.5	213 x 12 x 30.5
061037		8-50	20-22	20	7	219 x 12 x 32.5
248206		8-50	20-24.5	21.3	4.5	213 x 8.5 x 35.4

# CABLE STRAP



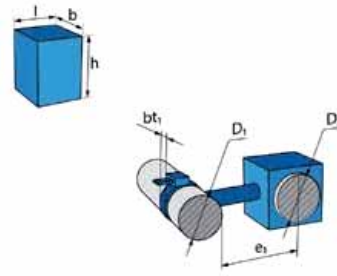
## 2 HOUSINGS - 1 STRAP & 1 TUBE HOLDER

All dimensions in mm / Other dimensions and variants on request.

Ref.	Design	D1	D2	e1	bt1	l x b x h
222583		8-50	21	21.5	4.5	213 x 20 x 52.4
226336		8-50	21.5-22.5	24	4.5	213 x 20 x 57.05
168812		8-50	22-24	21.3-23.3	4.5	208-218 x 12 x 34.3
253360		8-50	22-24	22.3-24.3	7	213.5-215.5 x 20 x 37-56.6
232654		8-50	22-24	33.8	4.5	213 x 20 x 66.7
237631		8-50	22-24	59.6	4.5	213 x 20 x 92.5
061125		8-50	23.5-25	21.2	7	220.8 x 12 x 43.3
235163		8-50	25	23.5	4.5	213 x 12 x 37.5
247739		8-50	25-27	25	4.5	213 x 12 x 44.5
220641		8-50	26-28	23.5	4.5	215.5 x 12 x 46.5
168877		8-50	28-30	24.8-26.8	4.5	50 x 12 x 213

# CABLE STRAP

2 HOUSINGS - 1 STRAP & 1 TUBE HOLDER



All dimensions in mm / Other dimensions and variants on request.

Ref.	Design	D1	D2	e1	bt1	l x b x h
217010		8-50	38-45	29.5	4.5	226 x 10 x 59
131059		8-50	39-45	28.5	7	219 x 11 x 57.8
211535		8-50	43	33	4.5	76.9 x 16 x 224.3
215723		8-75	4.5-7.1	15.6	7	279 x 11 x 31.33
242289		9.5-10.5	8-20	20	7	100 x 10 x 24.25
244911		10-33	25-27	25.25-27.25	4.4-4.6	309 x 12 x 43.5
215105		10-52	18-20	19.5	7	206 x 12 x 31.59
218554		10-52	20-24.5	20.5	7	200 x 12 x 31
214074		10-52	25-27	25	7	200 x 12 x 44.5

# CABLE STRAP



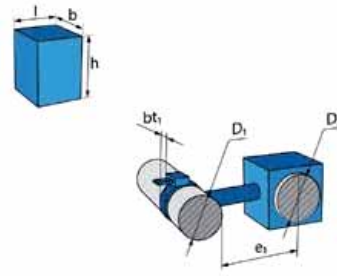
## 2 HOUSINGS - 1 STRAP & 1 TUBE HOLDER

All dimensions in mm / Other dimensions and variants on request.

Ref.	Design	D1	D2	e1	bt1	l x b x h
061960		11-13	8-50	16.5	7	219 x 11 x 24
259463		11-13	46-75	39.5-54	7	279 x 11 x 24
221432		15-33	9.5-10.5	15.9	4.5	140 x 10 x 22.9
243721		15.5-17.5	1-30	19.9-20.9	4.5	141 x 12 x 35.9
082319		16-18	8-75	19.5	7	275 x 12 x 32.5
168775		18-20	8-50	20	4.5	31 x 12 x 213
256950		25-27	8-50	11.5-13.5	4.5	213 x 12 x 44.5
247431		25-32	1-30	24.4-27.9	4.5	149.5 x 11 x 48
230022		30-80	14-16	16	8	293.8 x 12.5 x 32
216336		30-80	25	28	8	293.8 x 12.5 x 43
214305		30-80	28-30	23.5	8	293.8 x 12 x 46

# CABLE STRAP

2 HOUSINGS - 1 STRAP & 1 TUBE HOLDER

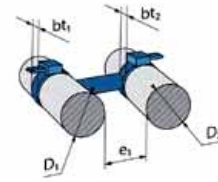
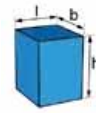


All dimensions in mm / Other dimensions and variants on request.

Ref.	Design	D1	D2	e1	bt1	l x b x h
210152		30-80	48-53	34.1	8	295 x 12 x 65
244971		46-75	14-15	18.7	7	278 x 27 x 15

# CABLE STRAP

2 HOUSINGS - 2 STRAPS

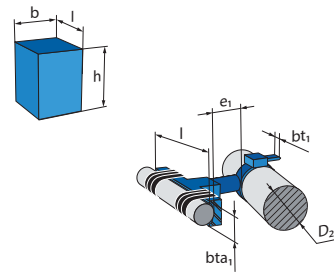
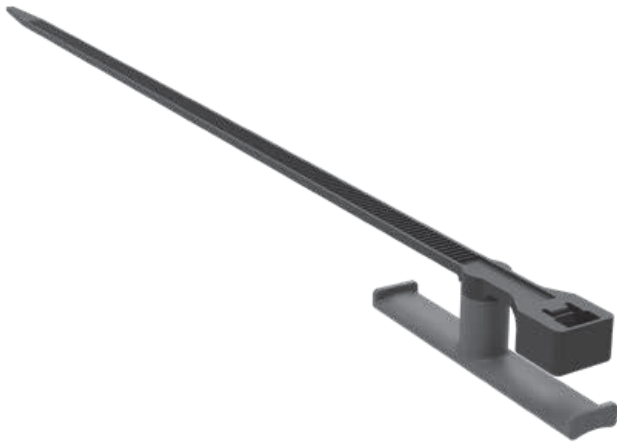


All dimensions in mm / Other dimensions and variants on request.


Ref.	Design	D1	D2	bt1	bt2	e1	l x b x h
208596		2-38	3-36.5	4.8	4.8	11.6	151.6 x 8 x 8
247295		4-50	4-50	5	5	19.5	403.5 x 17.5 x 13.7
231623		8-33	8-33	4.5	7	19.75	154 x 11 x 20

# CABLE STRAP

2 HOUSINGS - 1 STRAP & 1 TAPE-ON

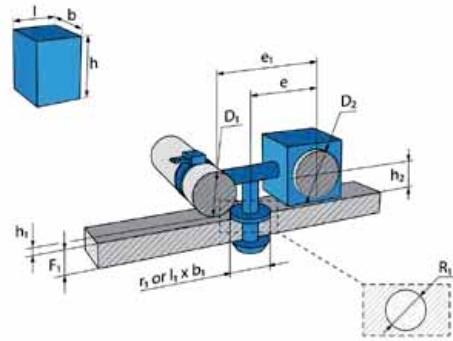


All dimensions in mm / Other dimensions and variants on request.


Ref.	Design	D2	bt1	e1	l x b x h
222821		8-50	4.5	12.4	215 x 8.5 x 12.4

# CABLE STRAP

## 2 HOUSINGS - ROUND HOLE MOUNT

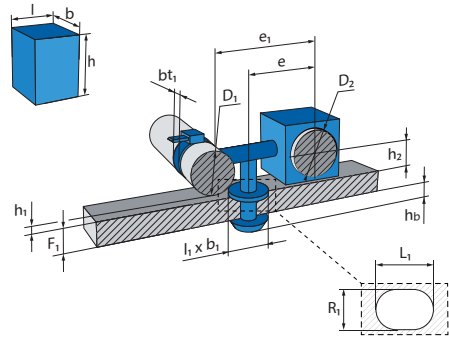


All dimensions in mm / Other dimensions and variants on request.


Ref.	Design	D1	D2	R1	F1	r1 or l1 x b1	h1	h2	e1	e	l x b x h
240422		8-33	16-24	6.5-6.7	0.8-6	16	25.4	25.4	24.15	0	160 x 45.45 x 10

# CABLE STRAP

## 2 HOUSINGS - OBLONG HOLE MOUNT

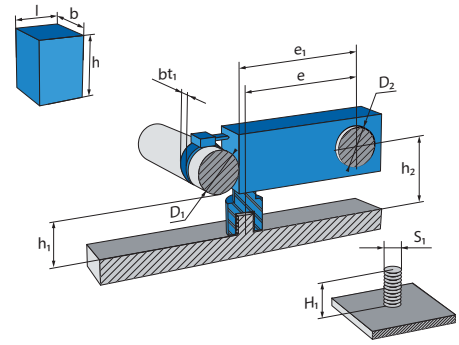
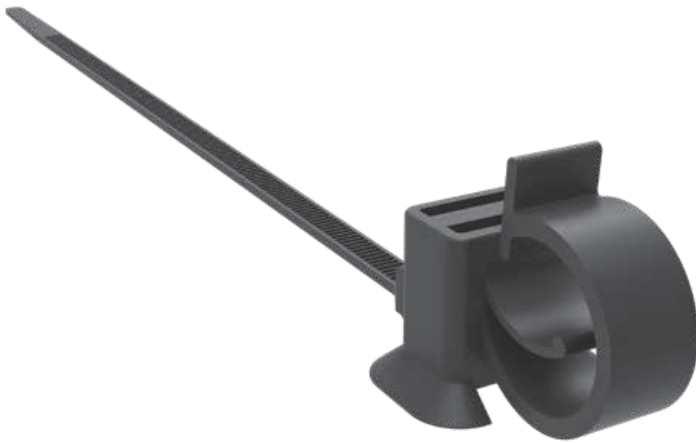


All dimensions in mm / Other dimensions and variants on request.

Ref.	Design	D1	D2	L1 x R1	F1	h1	h2	e1	hb	e	l1 x b1
225048		6-13	6-13	12.2 x 6.2	2-3.2	9-12.2	9-12.2	14	7.8	12	24 x 15.31

# CABLE STRAP

## 2 HOUSINGS - THREADED STUD MOUNT

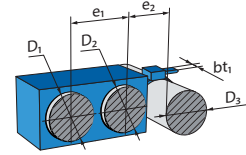
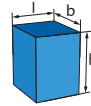


All dimensions in mm / Other dimensions and variants on request.

Ref.	Design	D1	D2	H1	S1	e1	h1	h2	e	bt1	L x b x h
200598		2.5-41	12-15	14.2	T5 Stud			12.5	13.75	4.5	199.3 x 24 x 27.6
212461		2.5-41	12-15	14.2	T5 Stud	27.5		10.5	13.75	4.5	200 x 24 x 27.6
231140		3-40	1-21	16	T5 Stud	25.5			15.8	4.2	233.5 x 25.1 x 45.8
237890		8-33	8-9	12	M6 x 1,00	5.5	13.75	28	0	4.5	140 x 10 x 20
222936		8-33	8-9	12	M6 x 1,00	14.25		28	0	4.5	20.25 x 10 x 140
226313		8-33	16-22	12	M6 x 1,00	23.2	23.5	10	23.2	4.5	135.8 x 10 x 72.11
221145		8-50	10-12	14.2	T5 Stud	43	11.6	11.6	25.2	4.5	51.8 x 34 x 18

# CABLE STRAP

## 3 HOUSINGS



All dimensions in mm / Other dimensions and variants on request.


Ref.	Design	D1	D2	D3	e1	e2	bt1	l x b x h
259546		8-9	8-9	1-50	12	19.5	5	239.5 x 8 x 24.2
238905		8-33	10-11.5	6-6.5	16.35	20	4.5	140 x 10 x 26.35
216486		8-33	14-16	22-24	30.5	18.25	4.5	140 x 12 x 40.35
060931		8-50	8-9	8-9	0	14.5	7	219 x 11 x 22.5
245616		8-88	10-14	26-28	32	23.7	4.5	140 x 12 x 44.1
243695		9.5-10.5	9-9.5	8-33	35.3	19.5	4.5	140 x 10 x 44
250232		10-14	14-16	8-50	24.1	18	4.5	213 x 12 x 52.6
211887		20-22	11-13	8-33	25.75	16.75	4.5	140.5 x 10 x 58.5

# CABLE STRAP



## 3 HOUSINGS

All dimensions in mm / Other dimensions and variants on request.

Ref.	Design	D1	D2	D3	e1	e2	bt1	l x b x h
214253		22-24	11-13	8-33	29	16.75	4.5	140 x 12 x 64.35
235842		23-30	8-50	23-30	28.6	45.3	4.5	213 x 10 x 55.8
237333		23-30	23-30	8-33	28.5	45.3	4.5	140 x 10 x 54.5
241791		25-27	25-27	8-50	32	19.5	4.5	213 x 70 x 140



---

# TAPE-ON CLIPS



## 1 HOUSING

Edge mount - above panel edge .....	p.50
Edge mount - panel parallel.....	p.51
Round hole mount .....	p.52
Round hole mount with off-set .....	p.55
Rectangular hole mount .....	p.58
Oblong hole mount .....	p.59
Oblong hole mount with off-set.....	p.61
Round stud mount with off-set.....	p.63
Threaded stud mount with off-set.....	p.64
T-shape stud mount with off-set.....	p.66
Cavity mount - blind round hole .....	p.67
Cavity mount - threaded hole .....	p.68
Mounting with other elements with off-set .....	p.69

## 2 HOUSINGS

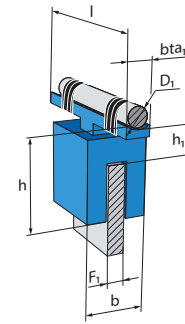
2 Housings.....	p.70
Round hole mount .....	p.72
Oblong hole mount .....	p.73

## 3 HOUSINGS





Round hole mount .....	p.74
------------------------	------

# TAPE ON

## 1 HOUSING - EDGE MOUNT - ABOVE PANEL EDGE

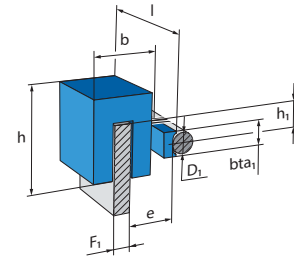
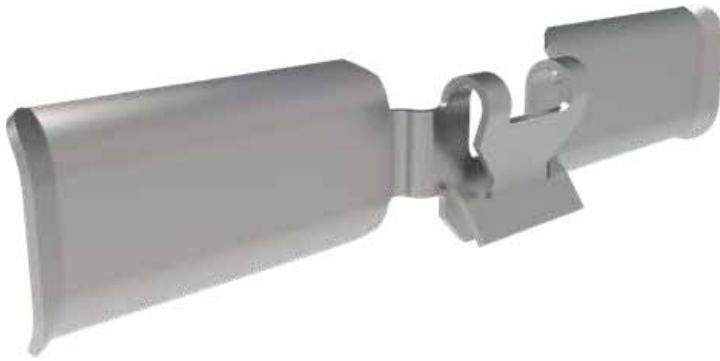


All dimensions in mm / Other dimensions and variants on request.

Ref.	Design	D1	F1	h1	bta1	l x b x h
135240			0.7-2	2.1	10.8	10.8 x 38 x 16.8
255198		0-50	0.5-2.5	2	8	50 x 10 x 11
255199		0-50	0.5-2.5	3	8	50 x 12 x 10.8
108192		0-50	1-2	4.4	10	50 x 10 x 15

# TAPE ON

## 1 HOUSING - EDGE MOUNT - PANEL PARALLEL

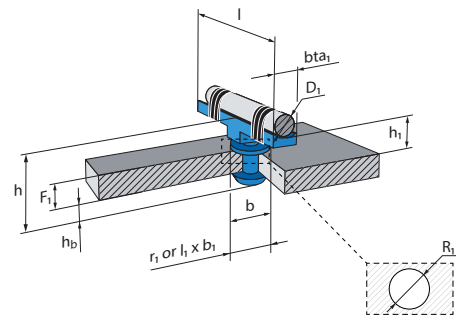


All dimensions in mm / Other dimensions and variants on request.

Ref.	Design	D1	F1	h1	e	bta1	l x b x h
255197		0-50	0.5-2.5		2	8	50 x 10 x 10
255200		0-50	0.5-2.5		3	8	50 x 10 x 10.3
218690		4-15	0.7-2.5	3.9-4.1		6	55.5-56.5 x 20.8-21.2 x 11.8
223057		10	1.5-3.5	5.7	22.5	6	42 x 17.7 x 32.2
018372		12	0.7-2	4	9	11.1	60.2 x 7 x 11.6
151903		18-20	2.2-2.8		12.8	12	32.5 x 22.6 x 32.5
151904		18-20	2.5		12.8	12	32.5 x 22.6 x 32.5

# TAPE ON

## 1 HOUSING - ROUND HOLE MOUNT



All dimensions in mm / Other dimensions and variants on request.

Ref.	Design	D1	R1	F1	r1 or l1 x b1	h1	hb	bta1	l x b x h
020458			4	4.58		2	7	5	42 x 5 x 13.6
164465			6.1-6.5	0.7-4		2.5	11.7	8	32 x 11 x 14.2
003243			6.3-6.7	0.6-5.1		10	11.1	9	9.4 x 35.8 x 15
209423			6.3-6.7	0.7-4		2.5	10.5	8	36 x 11 x 13
211640			6.4-6.6	0.7-4	4.85	2	9	9.5	40.7-42.7 x 9-10 x 26.4- 28.4
082081			6.5-6.7	0.6	18	5.4	6.8	9	85 x 9 x 13.2
081807			6.5-6.7	0.6	18	5.4	6.8	9	85 x 9 x 13.2
214703			12.8-13	2-12	14.5	3	10	12.5	29.5 x 74 x 14.5

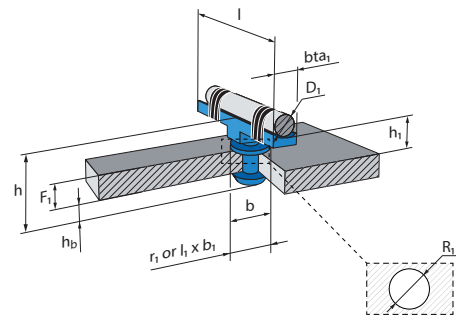


All dimensions in mm / Other dimensions and variants on request.

Ref.	Design	D1	R1	F1	r1 or l1 x b1	h1	hb	bta1	l x b x h
215149		0-15	6.5-6.7	0.6-2		2.4	4.3-5.7	8	27.3 x 11.44 x 9.4
201615		0-20	6.3-6.7	0.5-3	21	10-13	6.5	7	40 x 21 x 21.5
175181		0-20	6.4-6.6	1-4		2		9.5	37.1 x 9.5 x 41.7
244094		0-20	6.5-6.7	0.8-6	16	20.4	7-12.2	7	40 x 16 x 33
108099		0-50	6.3-6.5	0.7-1		3.3	4-4.3		50 x 7 x 6.8
248113		0-50	6.3-6.6	0.6-6	20 x 10	6	6-11.4	10.8	72.6 x 20 x 18
248127		0-50	6.35-6.7	0.7-1.5	18.2	4	6	8	45 x 18.2 x 11.2
175137		0-50	6.5	0.7-4		1.5	7-10.3	8	36 x 8 x 13
108120		0-50	6.58-6.8	0.8-2.5	21.5 x 7	3.3	6.4		56 x 7.5 x 13
175027		0-50	7	0.6-2	14	5	8.5-10	5	50.5 x 14 x 15.5
175031		0-50	7	1.5-2.4		2	8.1	7.6	32.5 x 7.6 x 13

# TAPE ON

## 1 HOUSING - ROUND HOLE MOUNT

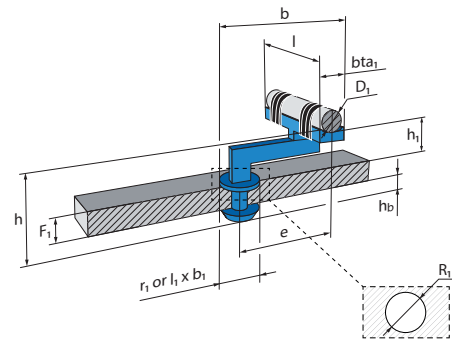


All dimensions in mm / Other dimensions and variants on request.

Ref.	Design	D1	R1	F1	r1 or l1 x b1	h1	hb	bta1	l x b x h
108124		0-50	8.08-8.3	0.7-4		3.3	5-8.3		50 x 10 x 12.3
108420		2-18	6.5-6.8	0.7	18.2	5.3	5.9	18	45 x 18.2 x 11.2
211381		12	8	1-3	13	13.2	4.1	12	12 x 52.1 x 10

# TAPE ON

## 1 HOUSING - ROUND HOLE MOUNT WITH OFF-SET

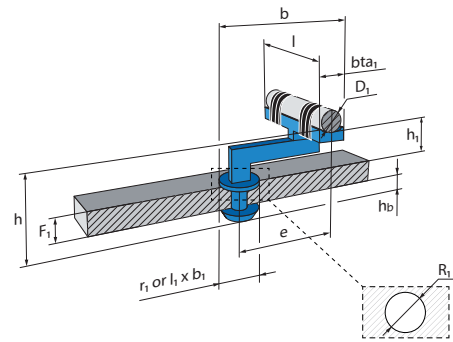


All dimensions in mm / Other dimensions and variants on request.

Ref.	Design	D1	R1	F1	r1 or l1 x b1	h1	hb	e	bta1	l x b x h
164452			6.1-6.5	0.7-4		1.5	12	32	10	50 x 43 x 15
164453			6.1-6.5	0.7-4		3	18.9	32	10	50 x 43 x 21.9
238757			6.5-6.7	0.8-4		1.8	6-10.8	15	10	35 x 26 x 12.6
018968			6.5-6.95	1.4	33.5 x 12.5	29.5	7.8	26.5	13	57 x 36 x 38.5
214007			11.8-12.2	7.5-8.5	8.75	3.3	17	32	10	50 x 47.2 x 20.3
020628			30-30.5	1.35	43		10.4	47	9	50 x 73.5 x 17
175186		0-10	6.3-6.5	0.6-2.5		1.5	9-10.9	40	9	60 x 52.5 x 13
200031		0-10	6.5-6.7	0.6-1.3	19	2	6.5	15	9	40 x 29 x 12.1

# TAPE ON

## 1 HOUSING - ROUND HOLE MOUNT WITH OFF-SET



All dimensions in mm / Other dimensions and variants on request.

Ref.	Design	D1	R1	F1	r1 or l1 x b1	h1	hb	e	bta1	l x b x h
106128		0-12	8.08-8.3	0.7-2.5		4.1	3.5-5.3	38	10.7	50 x 51.4 x 19.7
201273		0-15	6.5-6.7	0.6-1	19	2	6	15	9	40 x 29 x 13.5
175056		0-15	8	3.2-3.5	12	2.5	2.3	50	8	50 x 60 x 9.8
175148		0-50	6.3-6.5	1.5	14	5	9	20	5	50 x 33 x 15.5
175182		0-50	6.4-6.6	0.6-2.5		1	9.7-11.6	13	10	55 x 21.8 x 13.7
175183		0-50	6.5	0.6-2.5		2	9.3-11.2	31	10	55 x 42 x 13.3
201340		0-50	6.5-6.7	0.8-4		1.8	6.8-10	15	10	35 x 26.5 x 12.6
201336		0-50	6.5-6.7	0.8-4		3.3	6.8-10	32	10	50 x 44.5 x 14.1
108201		0-50	6.58-6.8	0.7-2		3.5	6-7.3	6.5	13-20	59 x 45 x 10

# TAPE ON



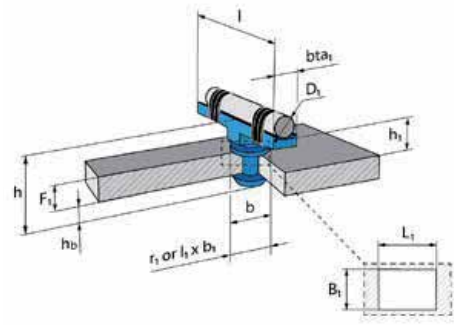
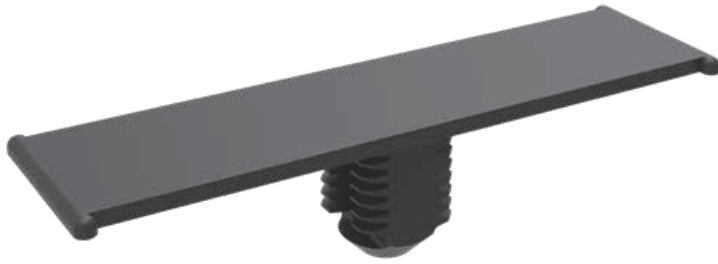
## 1 HOUSING - ROUND HOLE MOUNT WITH OFF-SET

All dimensions in mm / Other dimensions and variants on request.


Ref.	Design	D1	R1	F1	r1 or l1 x b1	h1	hb	e	bta1	l x b x h
175026		0-50	7	0.6-2	14	5	8.5-10	20	5	50 x 33 x 15.5
108112		0-50	8.08-8.3	0.7-4	19 x 12	3.5	5-8.3	24		45 x 39 x 12.5
241792		2-10	8.08-8.3	0.7-2		1.8	8.5-9.8	19	10	110 x 32.1 x 12.3
003212		6.4-6.6	6.4-6.6	0.7-2.5		3	10	13	10	10 x 55 x 13.7
218701		10	6.5-6.7	0.8-4	24	1.8	5.8-9	15	10	34-36 x 33 x 12.1-13.1
214656		15	6.3	0.7-2.5	15	7.5	7.5	22	6	31.9 x 55 x 11.4

# TAPE ON

## 1 HOUSING - RECTANGULAR HOLE MOUNT

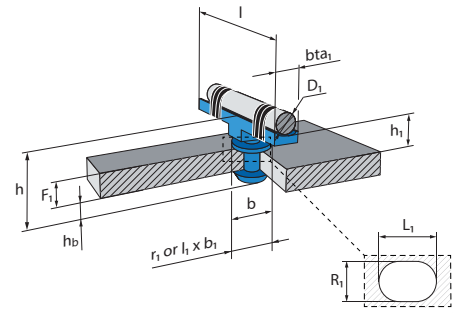


All dimensions in mm / Other dimensions and variants on request.

Ref.	Design	L1 x B1	F1	h1	hb	bta1	L x b x h
108253		7-7.22 x 7-7.22	0.7-2	1.2	8.5-9.8	12	50 x 14 x 11.7

# TAPE ON

## 1 HOUSING - OBLONG HOLE MOUNT

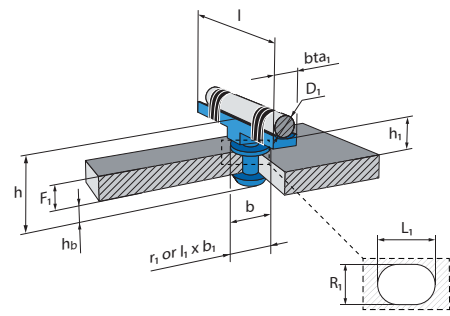


All dimensions in mm / Other dimensions and variants on request.

Ref.	Design	D1	L1 x R1	F1	r1 or l1 x b1	h1	hb	bta1	l x b x h
240205			12.1-12.3 x 6.1-6.3	0.6-3	16	6.6	6.6	8	50 x 16 x 13.2
252248		0-20	12.1-12.3 x 6.1-6.3	0.6-3	22.4 x 16.4	13.1	2.6-5	7	40 x 16.4 x 18.7
220296		0-20	12.2-12.7 x 6.2-6.7	0.6-5		1	6.6-11	10	55 x 14 x 15.3
240412		0-50	10-11 x 6.1-6.7	0.5-2.5		2	4.5-6.5	8	40 x 19 x 10.9
201662		0-50	12.2 x 6.2	0.6-3	16 x 22			8	50 x 16 x 13.2
215150		0-50	12.2 x 6.2	0.7-4	20 x 8.2	5	8-11	8	50 x 20 x 16.9
108183		0-50	12-12.3 x 7-7.3	0.7-2	19 x 10	4	3.5-6.5	7	65 x 11 x 11
240520		0-50	12-13 x 6.1-6.7	0.5-2.5		2	4.5-6.5	8	40 x 13.5 x 10.9

# TAPE ON

## 1 HOUSING - OBLONG HOLE MOUNT

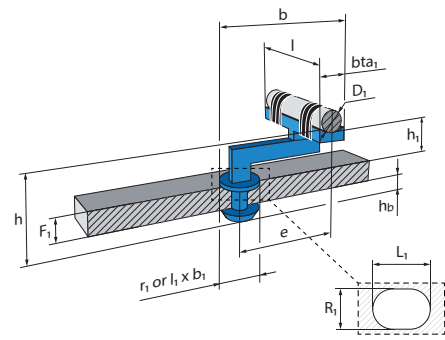
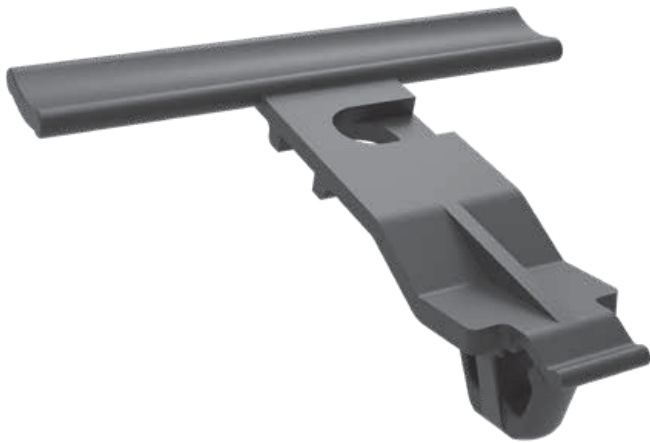


All dimensions in mm / Other dimensions and variants on request.

Ref.	Design	D1	L1 x R1	F1	r1 or l1 x b1	h1	hb	bta1	l x b x h
240519		0-50	12-13 x 6.1-6.7	0.5-2.5		2	4.5-6.5	8	40 x 11.4 x 10.9
261691		1-50	12.1-12.3 x 6.1-6.3	0.6-3		45	3-5.4		40 x 7 x 28.8
212794		12	15 x 6.5	0.3-0.7	5.5 x 32	3.35	6.75-7.15	12	66 x 12 x 12.96
130204		14	12.2 x 6.2	0.7-2.5		7.25	4.5-6.3	28	35 x 32 x 13.75

# TAPE ON

## 1 HOUSING - OBLONG HOLE MOUNT WITH OFF-SET

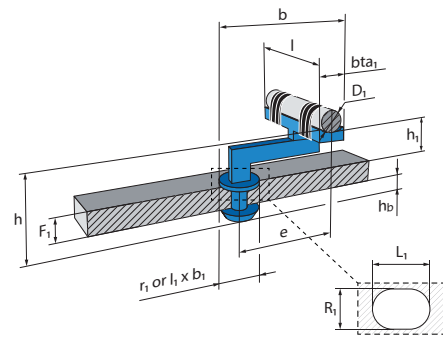


All dimensions in mm / Other dimensions and variants on request.


Ref.	Design	D1	L1 x R1	F1	r1 or l1 x b1	h1	hb	e	bta1	l x b x h
249867		0-50		0.5-2.5		2	5-7	10	8	40 x 24 x 10.9
246261		0-50	10-10.5 x 6.5	1-1.2	8.4 x 9.8	17.8	7	17	23	60 x 38 x 24.8
240522		0-50	10-11 x 6.1-6.7	0.5-2.5		2	4.5-6.5	20	8	40 x 34 x 10.9
240523		0-50	10-11 x 6.1-6.7	0.5-2.5		2	4.5-6.5	30	8	40 x 44 x 10.2
240521		0-50	12-13 x 6.1-6.7	0.5-2.5		2.4	4.5-6.5	15	8	40 x 29 x 10.1
237127		2-7	12.2-12.4 x 6.2-6.4	0.7-4		10	4.5-7.8	18	7	51 x 26.4 x 11
055478		4-12	12.2 x 6.2	0.5-3	24.05	8.12	5.7	23	10.5	35 x 40 x 14.8
018470		14.2	10-10.2 x 6.5-6.7	1-1.15	20 x 8	12.7	7.5	31.8	10	55 x 48.6 x 23.82

# TAPE ON

## 1 HOUSING - OBLONG HOLE MOUNT WITH OFF-SET

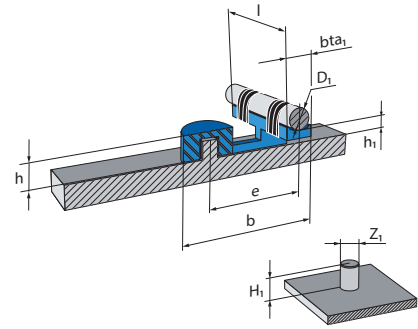


All dimensions in mm / Other dimensions and variants on request.

Ref.	Design	D1	L1 x R1	F1	r1 or l1 x b1	h1	hb	e	bta1	l x b x h
242816		20 min	12.1-12.3 x 6.1-6.3	0.6-3	22 x 16		4.4-6.8	46.3	12.8-13.8	50 x 54.3 x 14.7

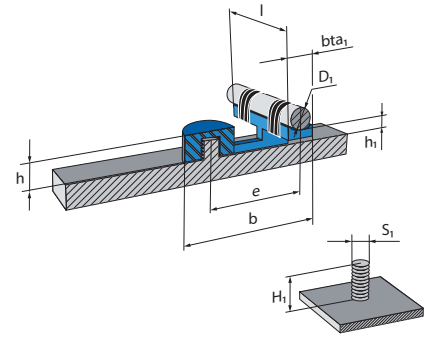
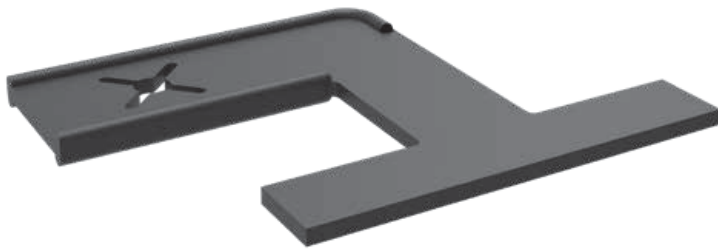
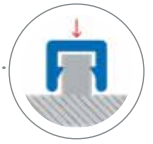
# TAPE ON

## 1 HOUSING - ROUND STUD MOUNT WITH OFF-SET











All dimensions in mm / Other dimensions and variants on request.

Ref.	Design	D1	Z1	H1	h1	e	bta1	l x b x h
233291		0-10	6.2	11.4	1.5	13	10	27.6 x 55 x 11
240711		5-12	8.07	10	1.5	13	10	27.6 x 55 x 11



All dimensions in mm / Other dimensions and variants on request.


Ref.	Design	D1	S1	H1	h1	e	bta1	l x b x h
211321			M5 x 0,80	15 min	11-12	15	10	60 x 31.5 x 21-22
211320			M5 x 0,80	15 min	16.5	19.8	10	65 x 36.3 x 1635
164473			M6 x 1,00		1-2	41	10	35 x 55 x 1.7-2.7
164440			M6 x 1,00		1.85	14	10	35 x 28 x 2.2
108220		0-10	T5 Stud	16	3	35	10	70 x 50 x 4
201337		0-15	T6 Stud			15	10	35 x 27.5 x 4.6
201338		0-15	T6 Stud	14		36.5	11	60 x 50.5 x 6.5
057598		10-19	M6 x 1,00	12-99	6	4.4	6.5	19 x 60 x 14.7

# TAPE ON



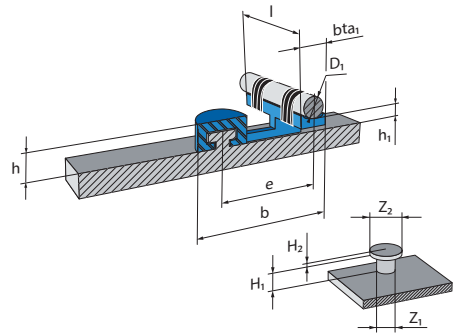
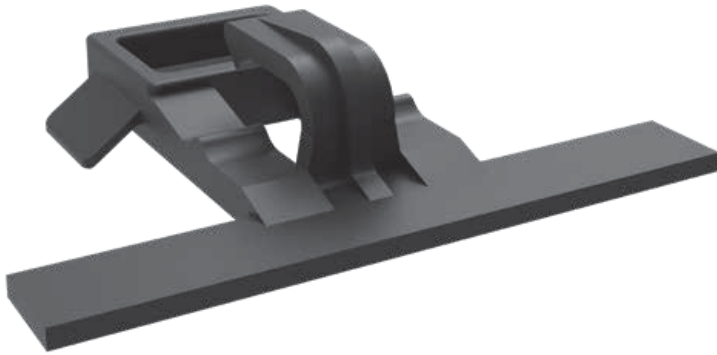
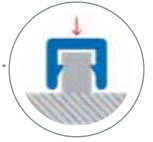
## 1 HOUSING - THREADED STUD MOUNT WITH OFF-SET

All dimensions in mm / Other dimensions and variants on request.


Ref.	Design	D1	S1	H1	h1	e	bta1	l x b x h
057182		10-20	T5 Stud	8-20	2	15	10	27 x 50 x 16

# TAPE ON

## 1 HOUSING - T-SHAPE STUD MOUNT WITH OFF-SET

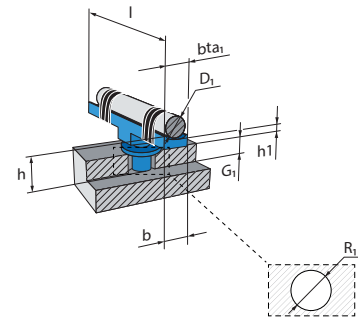


All dimensions in mm / Other dimensions and variants on request.

Ref.	Design	D1	Z1	H1	Z2	H2	h1	e	bt <sub>a1</sub>	l x b x h
108319		8	3	4.5	5	1	1.6	31	8	55 x 43 x 13.4

# TAPE ON

## 1 HOUSING - CAVITY MOUNT - BLIND ROUND HOLE

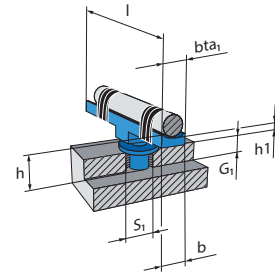
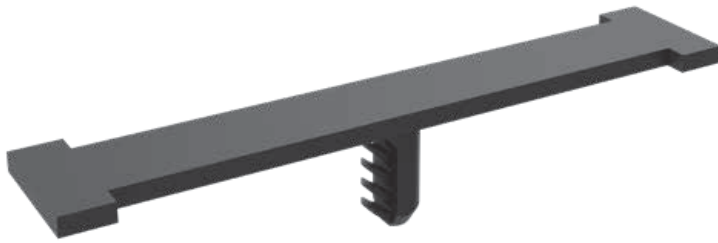


All dimensions in mm / Other dimensions and variants on request.


Ref.	Design	D1	R1	G1	h1	bta1	l x b x h
252806		0-50	5.8-6.2	10 min	1.7	8	45 x 10 x 10.7

# TAPE ON

## 1 HOUSING - CAVITY MOUNT - THREADED HOLE

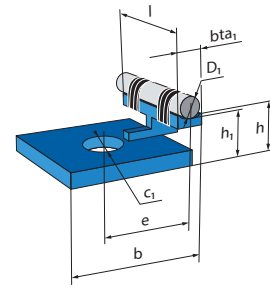


All dimensions in mm / Other dimensions and variants on request.

Ref.	Design	S1	G1	h1	bta1	l x b x h
164274		M5 x 0,80	9 min	1-2	7	56 x 10-11 x 10-11

# TAPE ON

## 1 HOUSING - MOUNTING WITH OTHER ELEMENTS WITH OFF-SET - ROUND

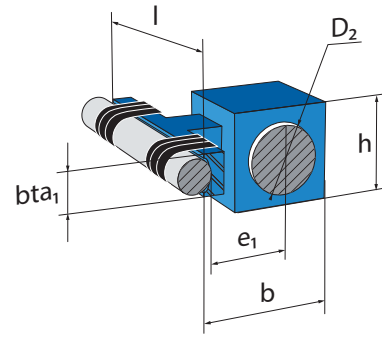


All dimensions in mm / Other dimensions and variants on request.

Ref.	Design	D1	h1	c1	e	bta1	l x b x h
213020			2	6.5	12	10	76 x 45.5 x 2
201581		0-20	3	6.7	20.3	16	45 x 36 x 6
221937		10		6.8-7.2		13	79.4 x 38.5 x 4

# TAPE ON

## 2 HOUSINGS



All dimensions in mm / Other dimensions and variants on request.

Ref.	Design	D1	D2	e1	bta1	l x b x h
211322				12	7	35 x 21 x 10
164179			3-4	14.5	7	13 x 40 x 19.3
168902			4.3-5.2	13	7	40 x 16.9 x 10
168846			8-9	14.5	7	40 x 20.2 x 8
201635		0-20	7.5-10.2	11	7	40 x 35.96 x 12
243833		0-20	9.5-10.5	16.3	7	40 x 24 x 10
228300		0-20	12-13	25	7	40 x 35.91 x 8
237033		0-20	25-27	32	7	12 x 51.41 x 40

# TAPE ON

## 2 HOUSINGS

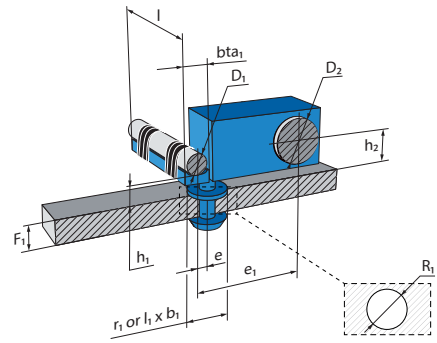


All dimensions in mm / Other dimensions and variants on request.

Ref.	Design	D1	D2	e1	bta1	l x b x h
246698		0-50	9;8	6	6.5	50 x 13 x 12
211715		15	24	46.7-51.2		51.5-52.5 x 39.2 x 26
231310		17	34-36	27.5	7	47 x 50 x 10

# TAPE ON

## 2 HOUSINGS - ROUND HOLE MOUNT

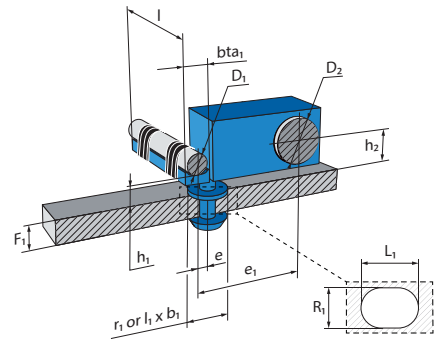


All dimensions in mm / Other dimensions and variants on request.

Ref.	Design	D1	D2	F1	R1	h1	h2	bta1	e	e1	r1 or l1 x b1	l
108115			4.5-6.6	0.7-1.2	6.58-6.8	3.9	7.2			10.5	15	24
108196			7	0.7-4	8.08-8.3	1.8	4.8	7		8.5		50
190028		0-12	4-8	0.7-1.2	6.5-6.7	4	9	9	0	13	19	60
175042		0-12	4-8	0.8-1.5	6.5	3	9	9	0	13	19	60
175158		0-12	4-8	0.8-4	6.5	5	9	9	0	13	19	60
252836		0-14	10-20	0.7-5.1	6.3-6.7	2	16	10.5	15	26.7		40
200256		0-17	9	0.8-1.5	6.5-6.7	2	9	9	6	12	11 x 19	60

# TAPE ON

## 2 HOUSINGS - OBLONG HOLE MOUNT

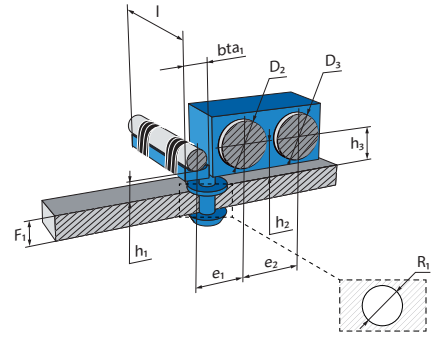


All dimensions in mm / Other dimensions and variants on request.

Ref.	Design	D1	L1 x R1	F1	D2	r1 or l1 x b1	h1	h2	e1	e	bt a1	l x b x h
200470		20	11.9-12.1 x 6.9-7.1	1.5	20	21 x 16	5.75	14.6	6.7	21.6 / 28.3	28	57 x 40.5 x 12.7

# TAPE ON

## 3 HOUSINGS - ROUND HOLE MOUNT



All dimensions in mm / Other dimensions and variants on request.

Ref.	Design	R1	F1	D2	D3	h1	h2	h3	e1	e2	bta1
201669		8-8.2	0.8-4	0-15	6	3	6	h3	14	7.5	10

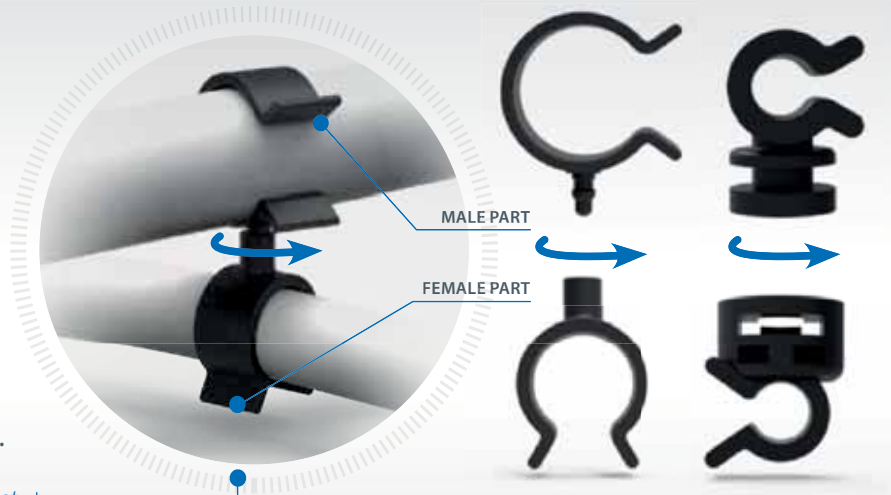


# MODULAR TUBE, PIPE & HARNESS CLIPS

A WIDE PRODUCT RANGE

Extensive range of swivel clips with more than 500 individual components offering an almost infinite number of **multidirectional** combinations of fastening solutions. The ARaymond™ modular harness clips are supplied pre-assembled and offer a **great variety in terms of diameters and design configurations**. The swivel function enables multidirectional cable mounting.

*The ARaymond™ modular harness clips consist of female and male parts that are combined to become tailor-made fasteners.*



▶ Two standard systems to fit OEM's specifications

## FIXING SOLUTIONS

Cable straps



Tape-on clips



Corrugated hose clips



▶ LOCKING LID

Cable & tube clips



▶ ADJUSTABLE LOCKING LID

## CABLE OR WIRE FIXINGS



▶ ADJUSTABLE LOCKING LID



▶ LOCKING LID



▶ VARIABLE LOCKING STRAP



▶ CLOSING WITH FLEXIBLE LID



▶ OPEN WITH FLEXIBLE FINGER

## BODY IN WHITE OR PANEL FIXING



▶ STUD MOUNT



▶ EDGE



▶ FIRTREE ROUND



▶ ANCHOR FOOT

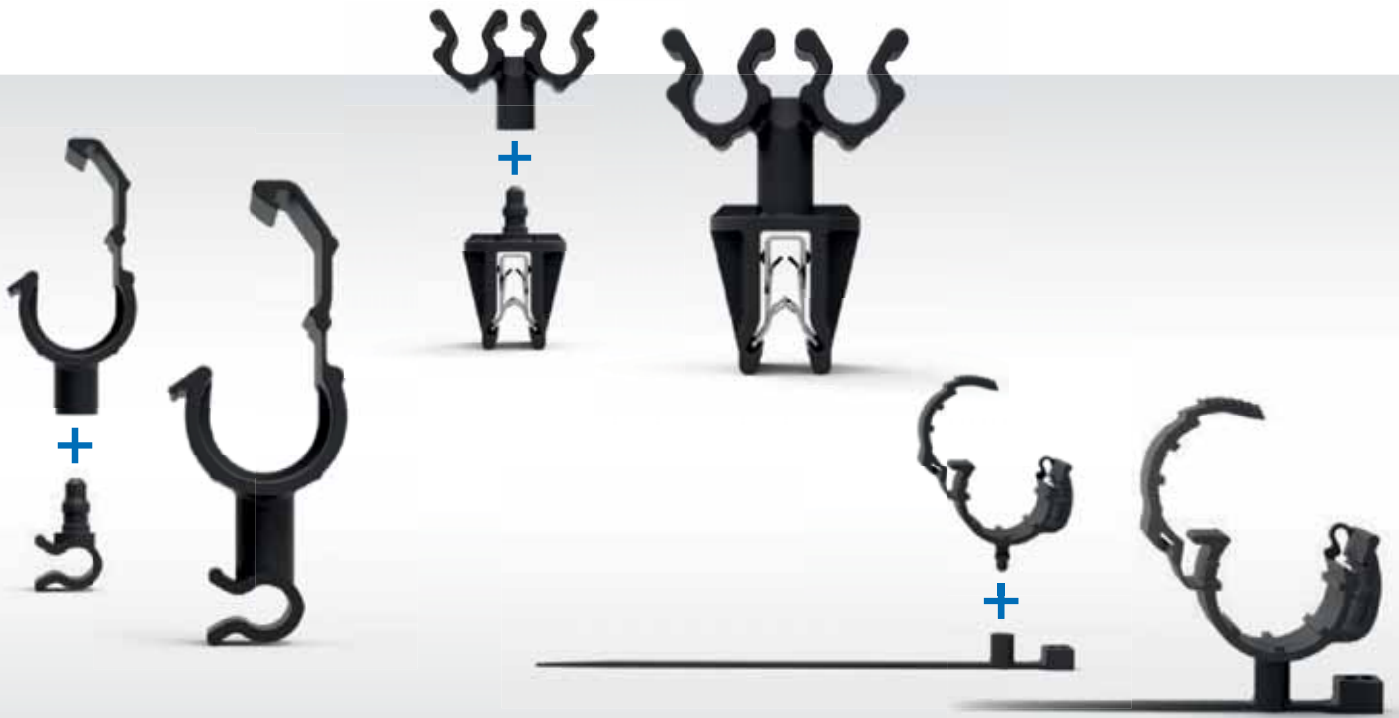


▶ THREADED HOLE



▶ OVAL & OBLONG

Mix and match to create your ideal solution with the configurator in our e-catalog. Or contact us for more information!



### FIXING COMBINATIONS

One fixing



Multiple fixings



### SINGLE OR MULTIPLE CABLE HOUSINGS

Single



Multiple



### SPECIFIC



### SPACERS

A large variety of different stand off dimensions available on request.







# TUBE HOLDERS

## 1 HOUSING

Surface mount .....	p.84
Edge mount - panel parallel .....	p.85
Edge mount - panel parallel - with a hole .....	p.108
Edge mount - above panel edge .....	p.111
Raised edge mount .....	p.114
Round hole mount - pushing in .....	p.115
Round hole mount - pushing in - cat head .....	p.123
Round hole mount - pushing in - omega clip .....	p.126
Round hole mount - pushing in - manual adjustable lock .....	p.128
Round hole mount - pushing in - varying tab(s) .....	p.130
Round hole mount - pushing in - swiveling .....	p.134
Round hole mount - pushing in - swiveling - with lock .....	p.137
Round hole mount - pushing-pressing in .....	p.143
Round hole mount with off-set .....	p.146
Square hole mount .....	p.150
Rectangular hole mount .....	p.152
Rectangular hole mount with off-set .....	p.154
Oblong hole mount .....	p.155
Hole mount - keyhole .....	p.160
Keyhole mount with off-set .....	p.161
Hole mount - multiple holes .....	p.162
Stud mount with off-set - round stud .....	p.163
Stud mount with off-set - threaded stud .....	p.164
Stud mount with off-set - t-shape stud .....	p.165
Threaded stud mount .....	p.170
T-shape stud mount .....	p.173
Cavity mount - blind round hole .....	p.174
Cavity mount - blind oblong hole .....	p.175
Cavity mount - threaded hole .....	p.176
Cavity mount - threaded hole with off-set .....	p.178
Cavity mount - t-shape cavity .....	p.179
Mounting with other elements with off-set - 1 hole .....	p.180
Mounting with other elements with off-set - 2 holes .....	p.183
Mounting with other elements - round .....	p.184
Multiple holes .....	p.187

**2 HOUSINGS**

Surface mount .....	p.188
Edge mount.....	p.189
Edge mount - same side .....	p.190
Edge mount - opposite sides .....	p.191
Round hole mount .....	p.192
Round hole mount - anchor.....	p.195
Round hole mount - fir tree .....	p.198
Round hole mount - swiveling .....	p.201
Rectangular hole mount .....	p.205
Oblong hole mount .....	p.206
Hole mount - multiple holes .....	p.208
Round stud mount .....	p.209
Threaded stud mount .....	p.210
T-shape stud mount .....	p.218
Cavity mount - threaded hole .....	p.219
Cavity mount - t-shape cavity.....	p.220
Mounting with other elements.....	p.221

**3 HOUSINGS**

Surface mount .....	p.222
Edge mount - same side .....	p.223
Edge mount.....	p.224
Round hole mount .....	p.225
Square hole mount .....	p.228
Rectangular hole mount .....	p.229
Oblong hole mount .....	p.230
Hole mount - multiple holes .....	p.231
Threaded stud mount .....	p.232

**4 HOUSINGS**

Edge mount.....	p.236
Round hole mount .....	p.237
Threaded stud mount .....	p.238
Mounting with other elements.....	p.242

**5 HOUSINGS**

Round hole mount .....	p.243
Rectangular hole mount .....	p.244
Hole mount - multiple holes .....	p.245
Threaded stud mount .....	p.246

**MORE THAN 5 HOUSINGS**

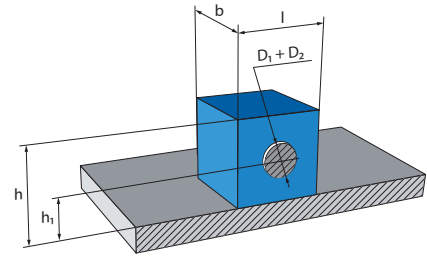
Round hole mount .....	p.248
Multiple holes mount.....	p.249
Threaded stud mount .....	p.250

## CORRUGATED HOSES

1 housing - edge mount - panel parralel.....	p.251
1 housing - edge mount - panel parralel - with a hole .....	p.253
1 housing - edge mount - above panel edge .....	p.255
1 housing - round hole mount.....	p.256
1 housing - round hole mount with off-set.....	p.260
1 housing - rectangular hole mount .....	p.261
1 housing - oblong hole mount .....	p.262
1 housing - oblong hole mount with off-set.....	p.263
1 housing - threaded stud mount with off-set.....	p.264
1 housing - cavity mount - blind round hole .....	p.265
1 housing - cavity mount - threaded hole.....	p.266
1 housing - mounting with other elements with off-set - 1 hole .....	p.267
2 housings - edge mount - opposite sides.....	p.268
2 housings - round hole mount .....	p.269
2 housings - threaded stud mount .....	p.270
2 housings - t-shape cavity mount .....	p.271
3 housings - round hole mount .....	p.272
4 housings - round hole mount .....	p.273
5 housings - threaded stud mount .....	p.274
5 housings - mounting with other elements .....	p.275

# TUBE HOLDER

## 1 HOUSING - SURFACE MOUNT

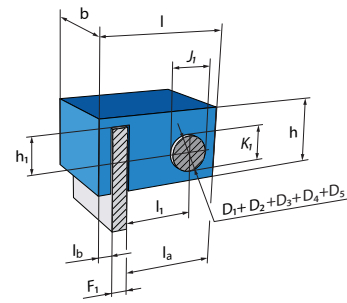
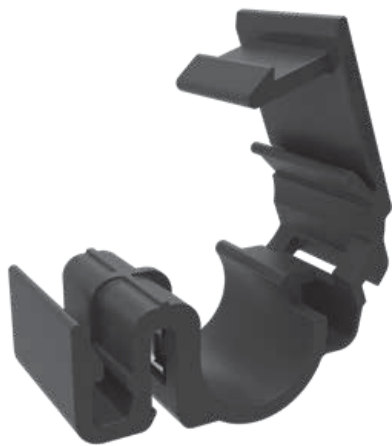


All dimensions in mm / Other dimensions and variants on request.

Ref.	Design	D	h1	l x b x h
246620		6-12	13-16	28.5 x 25 x 25
060988		6-12	13-16	34.7 x 25 x 32.5
249132		6-12	13-16	34.7 x 25 x 32.5
235161		8	4	41.71 x 27.77 x 22.51
108011		8 + 10	5.5	27 x 22 x 13.4

# TUBE HOLDER

## 1 HOUSING - EDGE MOUNT - PANEL PARALLEL

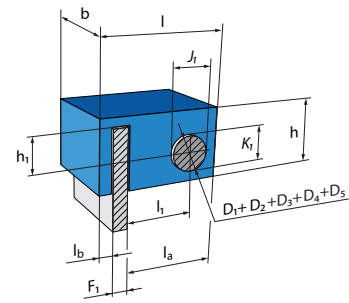


All dimensions in mm / Other dimensions and variants on request.

Ref.	Design	D	F1	J1 x K1	l <sub>a</sub>	l <sub>b</sub>	l <sub>1</sub>	h <sub>1</sub>	l x b x h
080753			0.8-1	7 x 11	14.7	0.5	6.45		16.85 x 16 x 21.7
016315			1	5 x 18.5	10.3	7	5		29.7 x 12 x 28
012856		0.8-1.5	0.75-1.4	1.5 x 10.5	3.2	2.2	1.15	10.7	5.4 x 13 x 15
052684		10	2-4		21	7.5		13	20 x 14 x 20
016741		10-10.5	1-1.2		10.6	2.4	5.4	5	13.4 x 15 x 11.5
012691		10-10.5	1.5-2		11.8	2.1	6.2		14.4 x 11 x 14.5
014239		10-10.5	2-2.5		10.6	2.5	5.4	3.8	14.1 x 15 x 11.5
052683		10-11	4-7				5.6-6.1	8.5-0	20 x 14 x 20

# TUBE HOLDER

## 1 HOUSING - EDGE MOUNT - PANEL PARALLEL



All dimensions in mm / Other dimensions and variants on request.

Ref.	Design	D	F1	J1 x K1	la	lb	l1	h1	l x b x h
017191		10-12	0.7-3	9.1 x 18.5	10.5	5	5.4	20	15.2 x 24 x 26.6
055129		10-14	2-7		15	7		7.7	18 x 12 x 26.4
055130		10-14	7-12		15	15	7.6	7	22.5 x 12 x 19
018172		10-14 + 4-7	3-6	7.2 x 16.7	12.3	5.3	5.4	5	19.3 x 18 x 21
052483		10-15	0.5-3		21.4	4		10.5	26 x 13 x 13
206113		11.4-13.2	0.8		13.25	3.2		13.75	17.2 x 15 x 20.4
013493		11.8-12.2 + 11.8-12.2	1.8-2.2	12 x 24	15.5	3.8	6.5	17	17.8 x 18 x 31
019082		11.9-12.1	1.4-1.6		13.2	5.2	6.5	7.5	19.3 x 20 x 15.8
017115		11.9-12.1	2.3-2.7		13	3.5	6.5	10.2	18.5 x 16 x 17.2

# TUBE HOLDER

## 1 HOUSING - EDGE MOUNT - PANEL PARALLEL

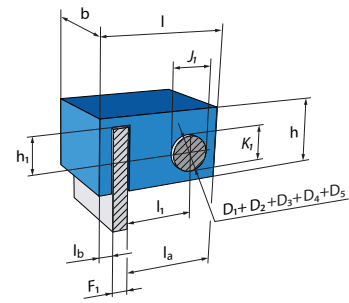


All dimensions in mm / Other dimensions and variants on request.

Ref.	Design	D	F1	J1 x K1	la	lb	l1	h1	l x b x h
011936		12	1-1.5		12.4	3.5	6.4	2.6	16 x 18 x 16.9
200355		12.5	0.8		14	1.5	6.75	12.75-0	26 x 15 x 16.5
018415		12.9-13.1	0.7-1.2		13.8	2.7	6.9	9.7	16.6 x 15 x 17.5
019766		12-13	1.25-3		15.8	0.5	8.5	12.7	18 x 15 x 20.7
247853		12-14	1.25-3		14.2		6.7	7.8	17.9 x 15 x 18.2
053121		12-14	2-4		15	3	6	12	23 x 14 x 19
052686		12-14	2-4		15	5	6.5-7.5	5.5-0	20 x 14 x 23.5
052685		12-14	4-7		11.6			5.8	65 x 14 x 18.5
019103		13	1.5-2.5		12.7	3.2	7.8	2.1	16.6 x 15.3 x 17.9
013918		13.5-14.5	3.5-4		14.9	3.2	7.15	9.55	20 x 15 x 18.7
018348		13.7-14.3	2-2.5		15.2	3.7	7.5	8	19.1 x 15 x 16.5

# TUBE HOLDER

## 1 HOUSING - EDGE MOUNT - PANEL PARALLEL



All dimensions in mm / Other dimensions and variants on request.

Ref.	Design	D	F1	J1 x K1	la	lb	l1	h1	l x b x h
012553		13.8-14.2	1-1.5		15	3.15	7.4	2.05	16.2 x 15 x 20.8
016900		13.9-14.1	2.5-3.5		14.3	5.8	7.4	6.9	19 x 14 x 23.3
204483		13-14	1-3		17.95	3	17.35	7.85	32.7 x 33 x 27.7
012105		13-15	2.3-2.7		13.8	3.3	6.9	1.7	16.4 x 15 x 20.2
137853		14.15-14.4	4.34-6.35			4.75 min			22 x 15.62-16.13 x 22
244281		14.15-14.4	4.34-6.35			4.75 min			22 x 15.62-16.13 x 22
221565		3.2	2-2.5		4.2	0.5	2.1	3	7.6 x 12.7 x 12.5
011289		4	1.5-2	3.7 x 9.8	5.2	2.8	2.4	10.2	8.7 x 13 x 14
235990		5	0.75-1		6.5	2	2.9	9.4	8.4 x 13 x 13.6

# TUBE HOLDER

## 1 HOUSING - EDGE MOUNT - PANEL PARALLEL

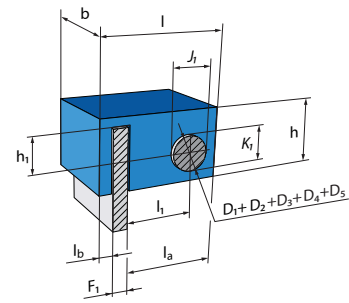


All dimensions in mm / Other dimensions and variants on request.

Ref.	Design	D	F1	J1 x K1	la	lb	l1	h1	l x b x h
013475		5	0.75-1	5 x 9	6.5	2.3	2.9	9.3	8.4 x 13 x 13.1
214358		5	2.4-2.6		41.9	2.9	34.9	8.8	46.3 x 10 x 12
238248		5	3.5-4.5		18-19	1.9	10.5-11.5	6.8	24.3 x 20 x 37.7
200337		14.5	1.9-2.1		29	10	11.4	4.5	35.5 x 20 x 20.6
019109		14-14.6	2-3.5		14.9	3.1	7.1	9.6	19.1 x 13 x 18.9
017934		14-14.6	3.5-4		14.9	3	7.4	9.5	19.9 x 13 x 18.9
227136		14-16	5-8		24.7	4	10.6	0.7-0	34.3 x 15 x 47.2
020115		15.5-16	3-4		15.8	3.1	8.15	34.4	20.9 x 15 x 42.7
016656		15.8-16.2	1.8-2.2		19	0.55	10.3	14.7	20.7 x 20 x 24.3
214104		15-16	0.9-1.1		17	2.7	7.9	20	20 x 15 x 32.4
018631		15-18	2-2.2		15	2.3	7.5	4.8	17.9 x 14 x 22.5

# TUBE HOLDER

## 1 HOUSING - EDGE MOUNT - PANEL PARALLEL



All dimensions in mm / Other dimensions and variants on request.

Ref.	Design	D	F1	J1 x K1	la	lb	l1	h1	l x b x h
052262		15-18	2-2.2		16-19	1	8-9.5	2.3-3.8	15 x 14 x 24
052688		15-18	2-4		20	3.5	8	8	21 x 14 x 17
052687		15-18	4-7		14.8	7.5	8	3	25 x 14 x 23
228594		15-20	1.5-3.5		38.8	2.5	25-27.5	3.3	40 x 20 x 45.1
055132		15-21	7-12		15.6-21.6	5	7.5	8	30 x 12 x 30
013341		1-6	0.5-1.2		5.8	2.7	2	4.6	7.2 x 13 x 14
020483		16.7-17.3	0.7-2.1		17.5	2.7	8.9	0.7	20.1 x 15 x 21.5
014023		17.5-18.5	1.75-2.25		18	3	9.5	3.2	21 x 18 x 19.4
151839		17.9-18.1	2-2.5		19	0.55	9.3	13.8-0	22 x 15 x 23

# TUBE HOLDER

## 1 HOUSING - EDGE MOUNT - PANEL PARALLEL

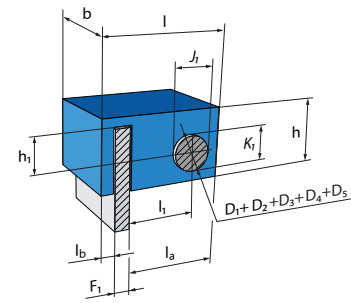


All dimensions in mm / Other dimensions and variants on request.

Ref.	Design	D	F1	J1 x K1	la	lb	l1	h1	l x b x h
013790		17-18	0.8-1.2		17.8	2.3	8.9	8.7	20.3 x 15 x 24.2
016862		17-20	2-3		17	3.4	9	7	20.7 x 18 x 29
053842		17-22	1-3		18	3	9-11.5	4.7-7.2	22 x 19 x 28.2
017957		18	6-8		18.7	9.2	9.5	8	27.5 x 20 x 22
015366		18-19	1.8-2.2		21	0.55	9.55	13.7	22.7 x 20 x 24.3
014155		18-19	1.8-2.2		21.2	0.55	11.3	13.7	22.7 x 20 x 24.3
245388		19-21	2-4		38	3	24	3	45 x 20 x 33
052690		19-24	2-4		19	5		1	25 x 14 x 30
012202		2.4-2.6 + 2.4-2.6	1.5-2	2.5 x 10.5	4	2.6	1.65	8	7.4 x 13 x 15.1
020284		2.9-3.1	0.5-2.5		4.2	3.2	2.5	8.5	6.8 x 12 x 10.5
020654		2.9-3.1	0.5-2.5		5.3	3.3	2.5	8.4	7.8 x 12 x 10.5

# TUBE HOLDER

## 1 HOUSING - EDGE MOUNT - PANEL PARALLEL



All dimensions in mm / Other dimensions and variants on request.

Ref.	Design	D	F1	J1 x K1	la	lb	l1	h1	l x b x h
242584		21-25	1.8-2.2				15		36.1 x 11.5 x 34.8
244527		22-24	2-4		45	4	25	2	48 x 20 x 35
013476		22-25	1.5-2.2		26.9	3	11.5	0.6	29.4 x 11 x 29.3
241657		22-26.5	1.5-3.5		65	4.5	24.1-29.8	3.3	71.7 x 22.1 x 41.5
055133		22-32	2-7		22.6-32.6	7-10		11.6-16.6	30 x 12 x 35
055134		22-32	7-12		33	5	11	1	31.4 x 12 x 37
206146		23	2.5		23.1	2.6	10.4	23.2	27.2 x 15 x 36.2
017437		23	4-4.6		31	4	18.6	4	36.4 x 30 x 25.3
211723		2-4 + 2-4 + 2-4	0.67-2		6.47	4.53		3	19.91 x 12.7 x 9.97

# TUBE HOLDER

## 1 HOUSING - EDGE MOUNT - PANEL PARALLEL

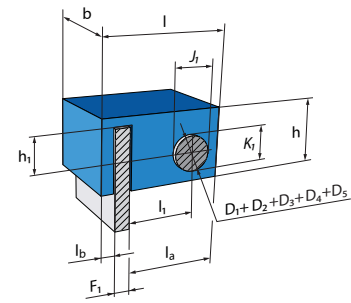


All dimensions in mm / Other dimensions and variants on request.

Ref.	Design	D	F1	J1 x K1	la	lb	l1	h1	l x b x h
137603		3.05-3.3	0.79-2.18	9.91 x 11.43					13.97 x 9.52 x 19.81
013795		3.1-3.3 + 3.1-3.3	0.8-3	3.2 x 7	5.6	5.1	2	9.6	10.6 x 12.75 x 12.3
013664		3.2-3.5	1.6-5		7.7	3.8	2	9.5	13.3 x 12.75 x 12.5
013872		3.2-3.7	2-2.5		4.6	1.8	2	3.1	7.6 x 12.7 x 12.5
018078		3.2-4.2	2-2.5		4.2	1.8	2	3.2	7.2 x 12.7 x 10.1
015006		3.5-4.5	0.7-1		6.3	3.2	2.4	14.8	8.5 x 13 x 18.7
013166		3.5-4.5	2-3		6.4	2.5	2.4	15.3	10 x 12.75 x 19.3
053810		3.5-6.5	0.8-2		6	1.8	3	12	17 x 15 x 12
012920		3.8-4.2	1.5-2		5.4	3.3	2.4	4.2	9.2 x 13 x 14
012490		3.8-4.2	6.3-6.5		5.2	1.9	2.55	6.9	12.4 x 12.5 x 10
011536		3.8-4.2 + 3.8-4.2	3-3.5	3.7 x 9.7	5.2	2.5	2.4	9.5	9.7 x 13 x 14

# TUBE HOLDER

## 1 HOUSING - EDGE MOUNT - PANEL PARALLEL



All dimensions in mm / Other dimensions and variants on request.

Ref.	Design	D	F1	J1 x K1	la	lb	l1	h1	l x b x h
201229		3.9-4.1	0.5-2		4.6	3.1	2.7	3.3	6.4 x 12.75 x 10
012857		3.9-4.1	0.8-1.5		5.4	3.25	2.9	4.2	8.1 x 13 x 14
016681		3.9-4.1 + 3.9-4.1	0.5-1.5	4.5 x 10	6	3.3	2.4	10.5	8.6 x 15 x 17.3
016682		3.9-4.1 + 3.9-4.1	0.7-1.7	4.5 x 10	6.1	3.4	2.4	9.9	9.4 x 15 x 17.1
229184		3.9-4.1 + 3.9-4.1	0.75-1.25	3.8 x 10	5.6	2.3	2.4	10.2	8.3 x 12.75 x 14.3
013276		3.9-4.1 + 3.9-4.1	0.75-1.25	3.8 x 11	5.8	2.6	2.4	10.3	8.3 x 12.75 x 14.2
016455		3.9-4.1 + 3.9-4.1	1.8-2.2	4.5 x 10	5.9	4	2.4	10.2	9.6 x 15 x 17.2
132068		3-13	1.5-2.5		20	5	12	7-0	25.1 x 13 x 23.9
061926		3-25	1-2.5		29.8	3.9		15	34.4-43 x 25 x 37.5

# TUBE HOLDER

## 1 HOUSING - EDGE MOUNT - PANEL PARALLEL

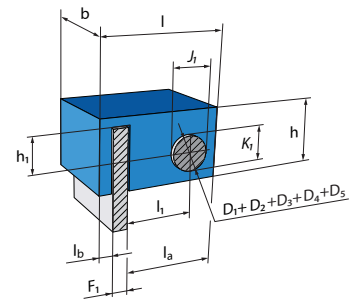


All dimensions in mm / Other dimensions and variants on request.

Ref.	Design	D	F1	J1 x K1	la	lb	l1	h1	l x b x h
061585		3-25 + 25	1-2.5	28 x 22	14.8	4.6	14.8	14.8	33 x 22 x 36
015160		3-7	1.7-1.9		8.5	3.9	1.9	9.2	11.2 x 15 x 18
019642		4 + 4	1.8-2.2	6 x 12.5	7.4	4	2.4	11.2	11 x 15 x 19.6
014635		4.2-4.4	1.9-2.1		4.7	2	2.4	10.5	7.3 x 12.5 x 13.1
020306		4.4-4.6 + 4.4-4.6	2.5-3.5	4.5 x 10	6.1	3.8	2.7	9.6	10.5 x 15 x 17.2
018690		4.5-10	0.8-3	10 x 16.5	12.6	5.1	9	6	15.9 x 24 x 26
018210		4.5-10	3-6.1	10 x 16.5	12.7	5.2	9	6	18.5 x 24 x 26.2
013300		4.5-5.5	1-2.2		6.7	3	3	4.5	8 x 13 x 14.5
017485		4.7-4.9	0.7-0.9		5.7	1.6	2.75	7.9	7.4 x 10 x 10.9
012347		4.8-5.2	0.8-1.5		5.3	3.6	2.9	4.6	8.8 x 13 x 14
012247		4.8-5.2 + 4.8-5.2	2-2.5	5 x 10	6.8	2.7	2.9	11.7	10 x 15 x 15.2

# TUBE HOLDER

## 1 HOUSING - EDGE MOUNT - PANEL PARALLEL



All dimensions in mm / Other dimensions and variants on request.

Ref.	Design	D	F1	J1 x K1	la	lb	l1	h1	l x b x h
211523		4.8-6	1.5-3		13.5	0.6	5.8	6.6-7.2	18.4 x 28 x 21.3
235225		4.9-5.1	0.5		5.8	2	2.9		8.5 x 15.5 x 12.5
014428		4.9-5.1	1-2.2		4.8	2.7	2.9	4.5	7.6 x 13 x 14.5
217032		4.9-5.1	5-8		18		10.6	4.2-0	27.7 x 13 x 31
012639		4.9-5.1 + 4.9-5.1	2-2.5	5 x 11	6.7	4	2.9	10.4	11.5 x 15 x 15
013066		4.9-5.1 + 4.9-5.1	2.5-3	5 x 11.5	6.8	2.3	2.9	9.7	10.5 x 15 x 15
013474		4.9-5.1 + 4.9-5.1	3.5-6	5 x 10	6.6	3.3	2.9	9.2	12.8 x 15 x 14.5
017862		4-10	2-4		26.4	5	17	11	30.3 x 20 x 22.2
018151		4-12	0.8-3	12 x 22.8	13.6	6	7	18	17.7 x 18 x 30.2

# TUBE HOLDER

## 1 HOUSING - EDGE MOUNT - PANEL PARALLEL

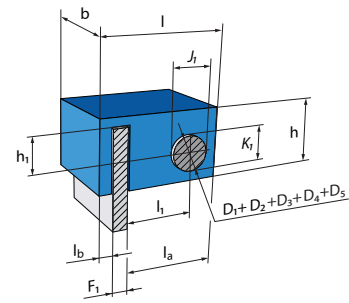


All dimensions in mm / Other dimensions and variants on request.

Ref.	Design	D	F1	J1 x K1	la	lb	l1	h1	l x b x h
248276		43	2-4		71	4	34	0	75 x 16 x 60
052494		4-7	0.5-4.5		6	5.5	8.1	5-0	15.4 x 11.35 x 14
151177		4-7	0.7-3.5		7.6	2	2-4	9.7-11.2	12.5 x 15 x 15
013098		5 +5 +5 +5	1.25	8 x 16.4	11.6	1.2	3	8.5	11.8 x 12.75 x 23.3
082047		5 +5 +5 +5 +3	1-2	12 x 10	18.8	3.6	2.5	1.7-0	25.2 x 40 x 16
204097		5.2-5.7	3.5-4.1		6.2	2.5	2.9	2.8	11.1 x 13 x 8.2
016446		5.3-5.7	1.5-2.5		8.2	4.2	4.25	3.3	13 x 29.6 x 14.2
020822		5.3-5.7	1.5-2.5		8.2	5.2	4.25	3.3	13 x 29.6 x 14
015992		5.5-9	0.7-1.5	4 x 12	4.6	5.2	3.15	4.8	9.2 x 18 x 19.5
015968		5.5-9	0.8-2	4 x 12	5.2	4.6	3.15	4.8	9.2 x 18 x 19.5
019659		5.7-7	0.7-2.1		7.2	3.1	3.3		10 x 15.5 x 12.5

# TUBE HOLDER

## 1 HOUSING - EDGE MOUNT - PANEL PARALLEL



All dimensions in mm / Other dimensions and variants on request.

Ref.	Design	D	F1	J1 x K1	la	lb	l1	h1	l x b x h
011430		5.8-6.2	0.75-1.5		7.3	3	3.2	6	10.5 x 12.75 x 9.5
012313		5.8-6.2	1.9-2.1		10	2.8	4.8		13 x 10 x 13
012744		5.8-6.2 + 5.8-6.2	0.75-1.25	6 x 12	7.9	2.8	3.4	9.85	10.3 x 15 x 15.5
014173		5.8-6.2 + 5.8-6.2	3.25-4.2	6 x 12	7.5	3.5	3.4	9.1	12.9 x 15 x 15
013146		5.9-6.1	0.6-0.8		7.2	2.2	3.4	4.6	8.3 x 13 x 14
011994		5.9-6.1	1.5-2.1		7.5	2.6	3.4	10.7	9.9 x 13 x 14.5
212277		5.9-6.1	2-6.5		8.1	5.7	3.5	13.2	15.8 x 12.75 x 19
016466		5.9-6.1	3.5-4.5		8.3	3.5	3.5	14.1	13.2 x 12.75 x 18.5
014977		5.9-6.1 + 5.9-6.1	0.75-1.25	6 x 12	8	2.4	3.4	11	10 x 15 x 15.4

# TUBE HOLDER

## 1 HOUSING - EDGE MOUNT - PANEL PARALLEL

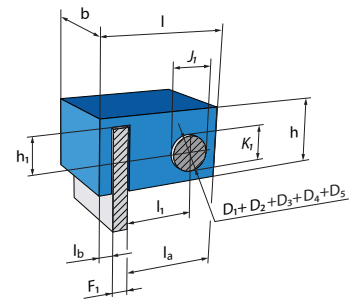


All dimensions in mm / Other dimensions and variants on request.

Ref.	Design	D	F1	J1 x K1	la	lb	l1	h1	l x b x h
016800		5.9-6.1 + 5.9-6.1	1-2.8	6 x 12	7.5	4	3.4	8.8	11.1 x 18 x 19.7
014978		5.9-6.1 + 5.9-6.1	3.25-4.25	6 x 12	7.7	5	3.4	11.4	13.1 x 15 x 15.7
016596		5-11	3-6		12.2	5	6.5	6	19.2 x 18 x 15.8
017699		5-11	3-6		12.2	5	8	6.5	19.2 x 18 x 15.8
020266		5-11	3.5-5		12.2	4	6.5	7	19.2 x 18 x 15.8
013107		5-6	4-4.5		5	3.15	2.9	3.8	10.6 x 13 x 14
242076		5-6.3	1.5-2.5						12.9 x 11.5 x 20.2
223367		6.5	1.2		7.5	3.1	3.75	3.6	11.8 x 10 x 10.98
017599		6.5-6.7	0.7-1		7.3	2.2	3.65	12.9	9 x 13 x 16.8
014398		6.5-7	2-3		8	2.8	3.75	4.5	12.5 x 10 x 9.8
130470		6.8-7	2.5		4.5	1		6.3	13.35 x 12 x 9.7

# TUBE HOLDER

## 1 HOUSING - EDGE MOUNT - PANEL PARALLEL



All dimensions in mm / Other dimensions and variants on request.

Ref.	Design	D	F1	J1 x K1	la	lb	l1	h1	l x b x h
020199		6.9-7.1 + 6.9-7.1	3-6	7.4 x 14.2	9.8	5	4.7	10	15.9 x 18 x 18.5
018551		6.9-7.1 + 6.9-7.1	3-6	7.4 x 14.4	9	5	3.9	10	15.8 x 18 x 18.5
081401		6-14	2-2.5	17 x 18	22.5	6.2	2.6		28.2 x 15 x 31.5
019930		6-6.5	1.8-2.2		6.6	3.2	3.4	8.8	9.9 x 12 x 12.5
013500		6-6.5	2.8-3.2		6.6	2.8	3.3	4.5	10.4 x 13 x 10.5
052680		6-7	2-4		10-11	5.2	3.6-4.1	8-0	15 x 14 x 20
016436		6-7	2.9-3.1		6.3	1.9	3.3	4.5	10 x 13 x 10.8
012764		6-7	3-6		7.3	4.7	3.5	8.1	15 x 12.75 x 14
052679		6-7	4-7		8.5	4.5		9.5	20 x 14 x 17.3

# TUBE HOLDER

## 1 HOUSING - EDGE MOUNT - PANEL PARALLEL

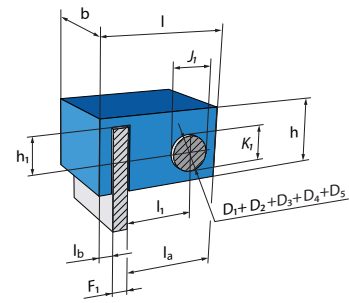


All dimensions in mm / Other dimensions and variants on request.

Ref.	Design	D	F1	J1 x K1	la	lb	l1	h1	l x b x h
055127		6-9	2-7		9	7		7.5	16.6 x 12 x 21.5
055128		6-9	7-12	6.7 x 14.3	7.2-10.2	5.5	3.6-5.1	3.6-5.1	18.6 x 12 x 21.4
019855		7.2-7.6	1.6-3.5		13.6	0.45	5	4.8	13.6 x 20 x 12
018468		7.5-12	2.9-3.1		13.8	5.8	8.7	9	21.7 x 20 x 18.4
012479		7.7-8.3	2.2;1.8		12.1	2.7	5.6		15.7 x 10 x 13
151435		7.8	1.5-2		8.5	2.5	4.3	9.8	11.6 x 12.75 x 14.5
205865		7.8-8.2	1-1.3		34	2	26.6	15.3	36.56 x 14 x 26.3
205255		7.8-8.2	2.8-3.2		9.5	3		5	15 x 14 x 19.42
222360		7.9-8.1	2-2.25		9.6	3	5.5		12.7 x 19 x 11.6
018192		7.9-8.1	2.5-3		10.9	3.6	4.5	11.1	14.2 x 15 x 16.3
012623		7.9-8.3	3.6-4.4		9	2.7	4.5	7.15	14 x 12.75 x 13.5

# TUBE HOLDER

## 1 HOUSING - EDGE MOUNT - PANEL PARALLEL



All dimensions in mm / Other dimensions and variants on request.

Ref.	Design	D	F1	J1 x K1	la	lb	l1	h1	l x b x h
019470		7-12	2.4-2.6		11.5	1.3	7	5.5	14.1 x 18 x 16
015405		7-7.5	2.4-2.6		7.6	2.6	3.9	6.7	11.5 x 10 x 11
011851		7-8	0.75-1.25		7.6	1.7	3.9	6.8	9.6 x 10 x 11
015385		7-8	1-2.5		7	2.7	4	7.5	10.2 x 15 x 15.2
052664		7-8	1.5	7-8 x 7-8	8.4-8.9	2.5	3.9-4.4	6.5-0	13 x 10 x 11
242142		7-8	1.8		8.5	4	3.75	7	13.7 x 14 x 14
013087		7-8	1.8-2.3		7.7	2	3.85	6.4	10.5 x 10 x 10.5
015466		7-8	1.8-2.3		7.7	2.3	3.85	6.8	10.5 x 10 x 11
015961		7-8	2-2.5		8.5	3.2	4		11.9 x 13.5 x 17.8

# TUBE HOLDER

## 1 HOUSING - EDGE MOUNT - PANEL PARALLEL

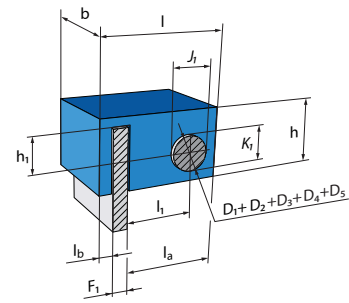


All dimensions in mm / Other dimensions and variants on request.

Ref.	Design	D	F1	J1 x K1	la	lb	l1	h1	l x b x h
012658		7-8	2.3-2.7		7.8	1.6	3.9	5.8	10.9 x 10 x 10
011317		7-9	0.8-2		7.9	2.8	3.9	4.6	10.8 x 18 x 17
015490		7-9	0.8-2		8	2.8	3.9	4.6	10.9 x 18 x 17
014552		7-9	1.2-2.2		8.5	2.4	3.9	4.6	10.8 x 18 x 17
015704		7-9	2-2.4		7.8	2.4	3.9	4.5	11.4 x 18 x 17
011534		7-9	3.7-4		7.9	2.7	3.9	3.6	13.2 x 18 x 17
018639		8	3-3.5		9.6	3.5	4.5		14 x 22.7 x 43.8
201127		8	3.5-4.5				8	10-0	22 x 21.75 x 29.15
222744		8.2	1-2		6.7-8.4	0.5	1.7-3.4	3.7	23.25 x 15.9 x 10
238759		8.25	0.3-1.3		17.6	0.5	13	19.2	25.9 x 15.8 x 18.9
017904		8.3-8.5	1.65-1.7		9.6	1.1	4.6	1.7	12.4 x 10 x 13.4

# TUBE HOLDER

## 1 HOUSING - EDGE MOUNT - PANEL PARALLEL



All dimensions in mm / Other dimensions and variants on request.

Ref.	Design	D	F1	J1 x K1	la	lb	l1	h1	l x b x h
019155		8.5-9.9	2-3		9.2	2.4	5	2.4	13 x 10 x 13.6
018374		8.8-9.2	0.7-1.2		9.3	1.8	4.9	19.7	11.1 x 12 x 25
013411		8.9-9.1	1.37-1.63		8.8	1.8	4.9		11.7 x 16.6 x 9.9
019929		8.9-9.1	2.9-3.1		10	3.2	5.1	10.6	14.1 x 14 x 23.7
081286		8-10	1.5-4		15.8	8.5	8.2	10.26	24.2 x 14 x 36.4
082168		8-10	1.5-4.5		18.7	6.6	10.2	10.5	26.8 x 14 x 26.5
019729		8-10	1.8-2.2		9.3	1.9	4.4	6	12.6 x 10 x 12.2
019833		8-11	0.5-1		18.5	1.4	8.9	10.1	19.3 x 12.75 x 12.9
218749		8-11	1.5-3.5		41.3	2.5			22.9 x 21.6 x 47.6

# TUBE HOLDER

## 1 HOUSING - EDGE MOUNT - PANEL PARALLEL

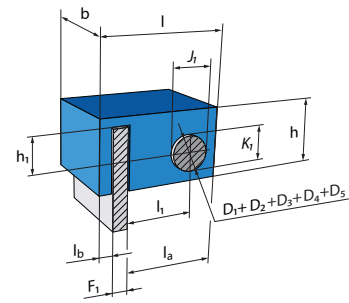


All dimensions in mm / Other dimensions and variants on request.

Ref.	Design	D	F1	J1 x K1	la	lb	l1	h1	l x b x h
052495		8-12	0.5-4.5		12	3		10	16.5 x 15 x 15
019584		8-14	1.3-1.7		17.2	0.45	6	7	17.4 x 22 x 25
018710		8-8.7	2-3		8.8	2.5	4.7	4.2	12.7 x 10 x 10.6
052682		8-9	0.2-4		15	4.5	8	9.5	14.6 x 14 x 18.5
014277		8-9	0.7-1.4		9.6	2.6	4.5	9.8	12.3 x 12.75 x 15.3
016898		8-9	0.7-1.5		8.5	4.4	4.4	10.8	11.7 x 18 x 23.3
011931		8-9	0.7-1.5		8.9	4.1	4.4	4.15	13 x 18 x 17
014263		8-9	0.7-1.5		9	3.5	4.4	4.1	12.5 x 18 x 17.2
248750		8-9	2-4		21.5	4.5	16	17.9	30 x 16 x 18
012061		8-9	2.2-2.5		9.5	3.4	4.4	4.5	12.9 x 18 x 16.5
019677		8-9	2.25-2.75		8.5	3	4.4	10.7	12.4 x 18 x 23.4

# TUBE HOLDER

## 1 HOUSING - EDGE MOUNT - PANEL PARALLEL



All dimensions in mm / Other dimensions and variants on request.

Ref.	Design	D	F1	J1 x K1	la	lb	l1	h1	l x b x h
016443		8-9	2.25-2.75		8.6	4.3	4.4	10.7	12.5 x 18 x 23.5
228185		8-9	2.25-2.75		8.6	4.3	4.4	10.8	12.4 x 18 x 23.4
019756		8-9	3-6		8.6	6	4.4	10.7	15.7 x 18 x 23.4
052681		8-9	4-7		11.2	4.5		9.5	15 x 14 x 17.3
228187		8-9 + 15-16	1.5-2.5	8.7 x 23.5	11.3	4.9	4.4	22.5	14 x 24 x 33.5
221794		9.4	1.5-3.5		15.7	6.6	7.1		22.3 x 12 x 48.7
012392		9.8-10.2	2.3-2.7		10.8	3.4	5.4	5.1	15 x 15 x 15
230401		9.8-10.2	2.9-3.1						25 x 15 x 16
020089		9.9-10.1	0.7-2.8		9.8	4.1	5.4	7.5	13.3 x 18 x 13.5

# TUBE HOLDER

## 1 HOUSING - EDGE MOUNT - PANEL PARALLEL

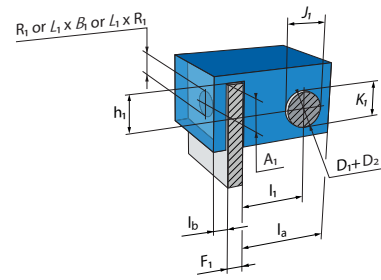


All dimensions in mm / Other dimensions and variants on request.

Ref.	Design	D	F1	J1 x K1	la	lb	l1	h1	l x b x h
020539		9.9-10.1	2.25-2.75		9.8	2.5	5.4	7	13.4 x 18 x 13.5
015311		9.9-10.1	2.4-2.6		11.3	3.2	5.4	11	14.7 x 15 x 17.4
015820		9.95-10.05	2.9-3.1		14.2	1.1	7.6		18 x 17.8 x 15.2
012426		9-10	0.7-1.4		11.1	3	4.9	4.6	13.5 x 18 x 17
013217		9-10	0.75-1.5		10.4	3.2	4.9	4.1	13.2 x 18 x 16.5
012037		9-10	1.5-2		10.4	3.2	4.9	4.6	13.5 x 18 x 17
016669		9-10	1.5-4		10.7	4.1	5.1	23	16.7 x 15 x 29
011882		9-10	2-2.5		10.7	3.2	5.15	11.4	15.1 x 15 x 17
014420		9-10	2.5-3		10.4	3.3	4.9	3.5	15.2 x 18 x 17
245177		9-15	1.5-3.5		47.6	2.5			32.8 x 25.2 x 53.9

# TUBE HOLDER

1 HOUSING - EDGE MOUNT - PANEL PARALLEL - WITH A HOLE



All dimensions in mm / Other dimensions and variants on request.

Ref.	Design	D	J1 x K1	L1 x B1	R1	L1 x R1	F1	A1	la	lb	l1	h1
015671			7 x 11		6		0.88	6.5				
016453		10-15			3.5		2	30				
018999		11		4 x 7			3.5	4.5	14	1.5	6.7	
014911		11.5 + 11.5		14 x 5.5			0.8-4	13				28.25
254744		11-12.5		6.1 x 6.2			2	8.6	23	1.6	12	
207057		14 + 14	14 x 28	5 x 7			2	12	15.4	1.5	7.5	13
019317		14-14.6			5-5.2		2;1.5	13.2-13.5				
017996		1-5			6-6.2		1-1.5	6				

# TUBE HOLDER



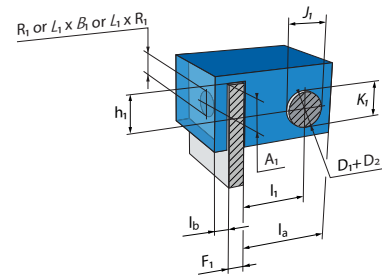
## 1 HOUSING - EDGE MOUNT - PANEL PARALLEL - WITH A HOLE

All dimensions in mm / Other dimensions and variants on request.

Ref.	Design	D	J1 x K1	L1 x B1	R1	L1 x R1	F1	A1	la	lb	l1	h1
020597		15-16		4 x 18			0.9-1.1	2	17	2.7	7.9	20.3
018313		22.6-23.4			5-5.2		2	13.2-13.5				
248172		22-24			6-6.2	12.5-13 x 6-6.2	1.5-2	10.5	28	3	13	1
205027		3-5.2 + 3-5.2			6.5		0.67-1.2	7.75	10.5	3.2-3.83	5.25	12.25
017710		4.5-4.7 + 4.5-4.7	4 x 9.5		3.8-4.2		1-1.5	6.3-6.7	7.5	2	2.8	12
200590		5-10 + 5			6.2		0.8-1.5	4	13.35	2.9	6.5	9
020700		6 + 6	6 x 12.2	5.8-6.2 x 16.8-17.2			2-2.5	5.5	7.5	4	3.4	11.2
016613		7		4.8 x 6.5			2	6.5				10
203420		7.9-8.1		4.9-5.1 x 6			1.9-2.1	7.9-8.1	10.3	2.6	4.5	6
020252		7.9-8.1		4.9-5.1 x 6			1.9-2.1	7.9-8.1	10.3	3	4	6
222528		8.5-13			6	6 x 6	1.2		31.3	2.3	15	8.3

# TUBE HOLDER

1 HOUSING - EDGE MOUNT - PANEL PARALLEL - WITH A HOLE

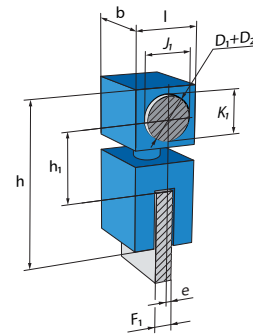


All dimensions in mm / Other dimensions and variants on request.

Ref.	Design	D	J1 x K1	L1 x B1	R1	L1 x R1	F1	A1	la	lb	l1	h1
223710		8.5-15		13.5 x 4			1.2-3	8.5		2	15	9.25
017997		8-14			6		1-1.5	6				
018416		9.9-10.1		2.8-3.2 x 21.7-22.3			0.7-2.8	5-5.4	9.8	4	5.4	7.5

# TUBE HOLDER

## 1 HOUSING - EDGE MOUNT - ABOVE PANEL EDGE

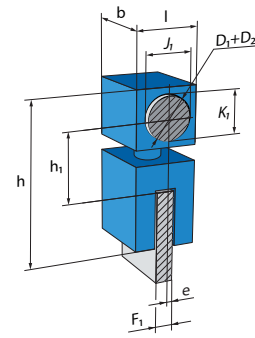


All dimensions in mm / Other dimensions and variants on request.

Ref.	Design	D	J1 x K1	F1	h1	l x b x h
016402		10-11		2-2.5	9.5	16.7 x 25 x 33
233875		10-12		1-3	18.7-19.7	17 x 15 x 39.5
244142		10-14		2.5-4	17.8	15 x 16 x 42.7
019889		11.3-13		2-4	6.15	11.2 x 19.7 x 29.5
211563		13.7	13.2-14.2 x 13.2-14.2	2.2-2.8	10	16.7 x 30 x 40
233851		16-22		1-3	21.4	34.8 x 15 x 49.3
226690		16-22		2-4	25	34.82 x 15 x 59.22
218325		19-24.5		2-4	37	28 x 15 x 63.55

# TUBE HOLDER

## 1 HOUSING - EDGE MOUNT - ABOVE PANEL EDGE



All dimensions in mm / Other dimensions and variants on request.

Ref.	Design	D	J1 x K1	F1	h1	l x b x h
227528		23-24		2-3	18.6	31.55 x 30 x 46.5
202926		24		2-3	16.6	26.5 x 30 x 46.5
256215		25-28		1-3	26.7	41 x 20 x 61
242498		32-38		2-4	31.3	70.15 x 20 x 68.56
245892		32-38		3	29	
232575		43		1-3	32	67 x 16 x 91.4
019038		5.8-6.2		1.4-1.6	3.4	7.6 x 22.5 x 15.1
018627		5.9-6.1	14 x 6.3	0.7-4	3.5	12 x 27.7 x 21.5
237142		6.5-6.7		1.5-4.5	9.8	21 x 8 x 23.5

# TUBE HOLDER

## 1 HOUSING - EDGE MOUNT - ABOVE PANEL EDGE

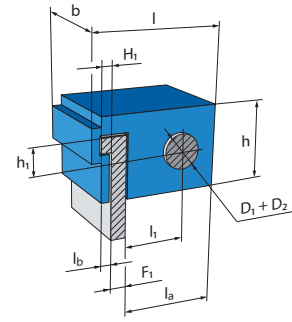
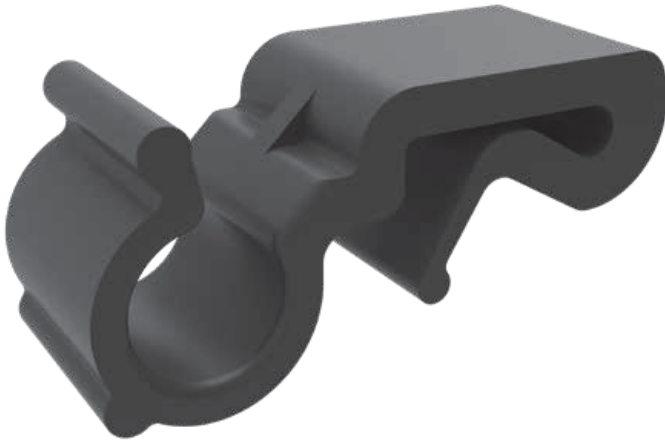


All dimensions in mm / Other dimensions and variants on request.

Ref.	Design	D	J1 x K1	F1	h1	l x b x h
257329		6-6.5		1.5	3.5	12.5 x 19.7 x 18.6
020896		7.5-8.5		3-4	8	18.2 x 25 x 32.9
242892		7.85-8.15		0.8-1.4	7.01	11 x 12.8 x 18.7
020001		8.8-9.2 + 12.8-13.2	22 x 9-10.9	1.5-3	5	12.3 x 30.2 x 25.9
019471		8.9-9.1		0.7-4	5	12 x 27.7 x 26.3
237854		8-10		1.5-4.5	9.7	27 x 27 x 37
203074		8-10		4.5-5.5	9.6	24 x 20 x 34.8
017641		8-8.5		2-2.5	9.5	16.8 x 25 x 33

# TUBE HOLDER

## 1 HOUSING - RAISED EDGE MOUNT

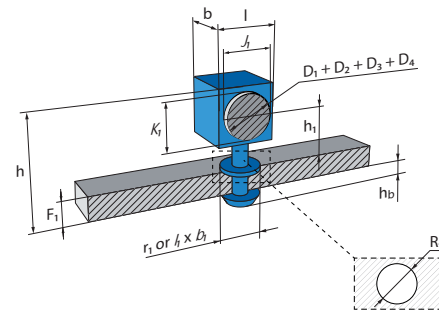


All dimensions in mm / Other dimensions and variants on request.

Ref.	Design	D	F1	la	l1	lb	h1	l x b x h
017055		5.5	0.8		3.4			21.77 x 10 x 12.64
015056		5.9-6.7	0.7-0.9	9	4.5	2	16	11.5 x 10 x 25.5

# TUBE HOLDER

## 1 HOUSING - ROUND HOLE MOUNT - PUSHING IN

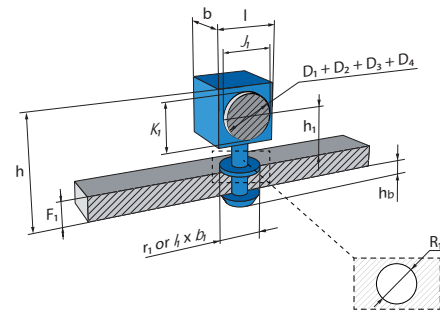


All dimensions in mm / Other dimensions and variants on request.

Ref.	Design	D	R1	F1	J1 x K1	r1 or l1 x b1	h1	hb	l x b x h
018741			6.5-6.7	0.8-6	17 x 12.5	20	4.7	5-10.2	29 x 20 x 31.6
175062		10	6.2	0.8-2		16 x 8	14	6.8	20 x 8 x 46.37
218788		10	6.5	0.7-1.2		16	9		64 x 16 x 29
228668		10	6.5	1-1.5		20		5.5	20.18 x 20 x 30.1
228667		10	6.5	1-1.5		20	16.2		20.18 x 20 x 30.1
236591		11	6.58-6.8	0.7-1.2			6	8	13.9 x 14 x 19.49
212572		11-12	8-8.3	1.5			9.5	6.4	22.9 x 14 x 36.3
175043		11-13	6.5	1-1.5		20	9.5	5.7	17.5 x 10 x 24

# TUBE HOLDER

## 1 HOUSING - ROUND HOLE MOUNT - PUSHING IN



All dimensions in mm / Other dimensions and variants on request.

Ref.	Design	D	R1	F1	J1 x K1	r1 or l1 x b1	h1	hb	l x b x h
200883		11-13	6.5-6.7	1-1.5		20	10.9	5-6	17.7 x 10 x 24
246048		11-13	19.5-21			6.8	18.85		18 x 10 x 37.1
221320		12.45-12.95	5.8-6.2	2.3-2.7		7	10.5	15.6	32 x 14 x 47.6
056184		12.5-13.5	6.35-6.7	1.5-2.5			19	6	17.3 x 10 x 35
017151		12.7	13.6	1.3-1.9		25	18	8	25 x 25 x 36.35
013735		12-15	8-8.2	0.8-2.5		8 x 4.5	9.5	9.7	18.4 x 15 x 30
016982		13.8-14.2	16.5-17	0.9-1.1		25	14	10.5	25 x 25 x 38.5
018099		14	13.8-14.2	1.1-1.3		25	17.1	9	
108197		14.5	8-8.3	2.5		21	21	6.5	29.2 x 21 x 52

# TUBE HOLDER



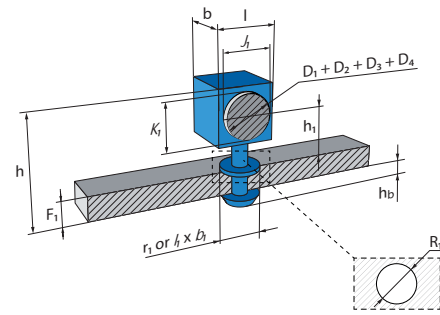
## 1 HOUSING - ROUND HOLE MOUNT - PUSHING IN

All dimensions in mm / Other dimensions and variants on request.

Ref.	Design	D	R1	F1	J1 x K1	r1 or l1 x b1	h1	hb	l x b x h
108162		14.5-15	8-8.2	0.8-2.5		21	20.5	6.5	29.2 x 21 x 51.3
236874		14-15	5	1-4		20	24	11	20 x 10 x 42.5
019835		15	6.5-6.7	2-2.5		18	20.3	5.75	21.3 x 10 x 58.2
246047		15-16	6.5-6.7			6.8	18.4		22.5 x 20 x 39.4
252337		15-16	6.5-6.7	0.6-6		18	17.5	6.45-11.85	18 x 18 x 40.5
018141		15-16	6.5-6.7	0.8-1.5		20	12	6.8	23.75 x 20 x 30.2
081444		16	6.3-6.45	1.8-2		18	11.7	5.6	20 x 12 x 32.5
248044		16	8.9-9.1	1-2		21 x 12	10	11.3	21 x 12 x 33.3
056563		16-18.5	6.5	0.8-6		20	13	2.7-7.9	37.8 x 20 x 44.2
128359		18.5	6.5	3.8		22 x 20	12	5.55	30 x 20 x 40
055684		18-19	18	2-3.2		8.1	13.5	7.5	47.06 x 18 x 37.2

# TUBE HOLDER

## 1 HOUSING - ROUND HOLE MOUNT - PUSHING IN



All dimensions in mm / Other dimensions and variants on request.

Ref.	Design	D	R1	F1	J1 x K1	r1 or l1 x b1	h1	hb	l x b x h
246049		19-18	6.5-6.7			5.8	21.1		23 x 12 x 41.6
016168		19-21	6.3-6.7	0.7-1.8		20	16.2	6.7	31.4 x 20 x 37.48
223811		20-24.5	7.6-8.4	2-9.5		16	20.7	17	28 x 12 x 49.7
207268		21.5-24.5	6.5-6.7	0.6-7.9		20	15.8	4.3-11.6	30.75 x 20 x 41.2
108130		21-23	6.5-6.7	0.8-2		20	16.5-17.5	6.5	28.5 x 20 x 37.6
016850		23-24	5-5.2	0.7-2.8		25	19	7.5	30 x 25 x 43
019477		25-27	5			16	25.4	8.6 max	32 x 12 x 53.5
200796		25-27	6.5-6.7	0.8-6		18	28.8	5-10.2	35.5 x 18 x 55.8
018459		4.5	5-5.2	2.3-2.5		8	6.3	3.7	8 x 10.1 x 17.52

# TUBE HOLDER



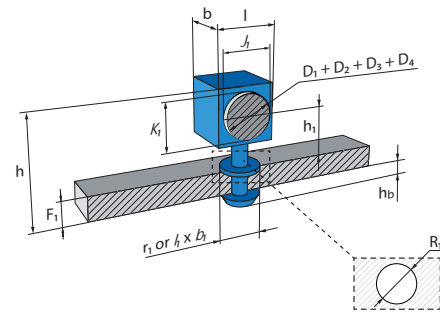
## 1 HOUSING - ROUND HOLE MOUNT - PUSHING IN

All dimensions in mm / Other dimensions and variants on request.

Ref.	Design	D	R1	F1	J1 x K1	r1 or l1 x b1	h1	hb	l x b x h
211314		4.5	6	2			5	7.5	12.5 x 15 x 16
223448		5.2	6.1	4.1		16	10	5.2	16 x 16 x 26.7
244346		5.2	7.5-7.72	0.6-4		25	9.5	5-8.4	
012135		5.5	7-7.2	1		7.6	4.2	3.8	10.2 x 10 x 12
013121		7	6-6.2	1.5		6.5	6	2.7	14 x 12 x 15.3
015769		7.5	6.5-6.7	3-3.3		13.5 x 10	7	7	13.5 x 10 x 23.8
011787		7.5	6.9-7.1	0.75		7.6	5	4.2	12 x 10 x 13.5
223349		8	6.5	2		20 x 15	10.4	6.6-8.6	32.9 x 10 x 32.9
246711		8	6.5-6.8	1.65-1.85		20	7	7	20 x 20 x 28
226011		8	6.58-6.8	0.65			7.1	6.05	25.7 x 15 x 20
013370		8	10.9-11.1	1.7		11.5	4.8	5	15 x 12 x 16.8

# TUBE HOLDER

## 1 HOUSING - ROUND HOLE MOUNT - PUSHING IN



All dimensions in mm / Other dimensions and variants on request.

Ref.	Design	D	R1	F1	J1 x K1	r1 or l1 x b1	h1	hb	l x b x h
200953		9	6.5-6.7	0.5-3		21	7.5-10	6.5	21 x 21 x 23.3
014547		9	7-7.2	0.75			10	5	13.5 x 10 x 18.5
215371		9.58	9-9.2	0.6-3		23.1 x 15	10.2-12.6		23.1 x 17 x 32.2
246602		9.9	6.5	0.6-8		8	16.8	4.7	38.5 x 16 x 40.5
108084		23	7.8-8.2	0.7-2		21	18.5	6.5	50 x 21 x 51
017950		23	8-8.2	0.7-2.5		27	17-18.8	8.5	30.78 x 27 x 47.91
055367		26	6.5	0.65-2.5		27	20	6.7	34 x 12 x 48.2
017924		27	6.5-6.7	0.7-2		20.5	20	6.8	34 x 20.5 x 45.3
055754		3.2-6.5 + 3.2-3.7 + 6.5 + 6.5	6.3-6.5	2-3		19 x 8	8.6	6	26 x 19 x 19.3

# TUBE HOLDER



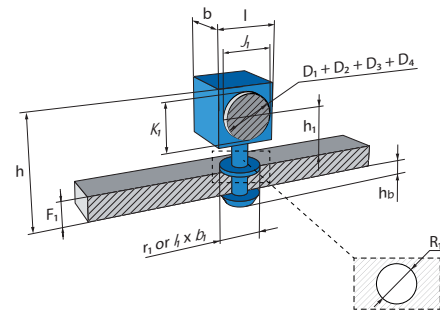
## 1 HOUSING - ROUND HOLE MOUNT - PUSHING IN

All dimensions in mm / Other dimensions and variants on request.

Ref.	Design	D	R1	F1	J1 x K1	r1 or l1 x b1	h1	hb	l x b x h
019081		3.8-4	6-6.2	0.8-1.8		20	8.8	6	8 x 8 x 17.6
244789		3-13	6.35-6.55	0.5-3		20	10.62	6.9	23.7 x 20 x 31.8
208227		3-14	6.55-6.9	0.7-6		20	13.2	10	27.29 x 22 x 34
236843		3-8	5-5.2	1.2		6.3	6	5.16	18 x 7 x 17.19
246050		38-45	6.5-6.7			6.8	34.1		56 x 20 x 75.6
020520		4.8-5	5-5.2	0.5-2		6 x 4	2.4	9.5	7.2 x 8.5 x 14.9
223499		5-5.4	6.3-6.7	0.7-1.8		15	12-13	7	10 x 8 x 26.7
228587		5-5.4	6.3-6.7	0.8-1.2		18	14.2	7	10 x 8 x 28.5
228358		5-5.4	6.3-6.7	0.8-1.2		18	15.2	7	10 x 8 x 28.5
223364		6.2-6.4	6-6.2	0.6-0.8		16	6.3		10 x 8 x 19.33
014351		6.2-6.4	6-6.2	0.7-0.9		16	6.7	6.8	

# TUBE HOLDER

## 1 HOUSING - ROUND HOLE MOUNT - PUSHING IN

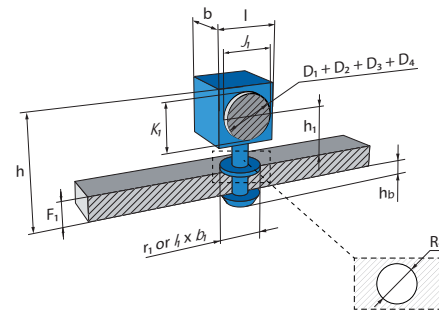
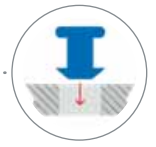


All dimensions in mm / Other dimensions and variants on request.

Ref.	Design	D	R1	F1	J1 x K1	r1 or l1 x b1	h1	hb	l x b x h
015732		6.2-6.4	6.3-6.8	1.2-1.7		18.5	7.2	6.5	
015328		6.9-7.3	5.1-5.3	2		12 x 12	8.5	3.4	12 x 12 x 21
236338		6-6.5	6.35-6.7	0.7-2		18	22.9-24.2	5.9	11.2 x 8 x 35.3
016048		7.5-7.8	6-6.2	0.7-2		20	9	6.8	
175064		7.5-8	6.3	0.8-2		18 x 8	5.75	6	18 x 8 x 20
012612		8-9.5	6.5-7.5	1-2		7.5 x 4.5	5.1	8.9	11 x 14 x 20.5
132033		9-12	8.2	0.7-2		25	11.7	7	

# TUBE HOLDER

1 HOUSING - ROUND HOLE MOUNT - PUSHING IN - CAT HEAD

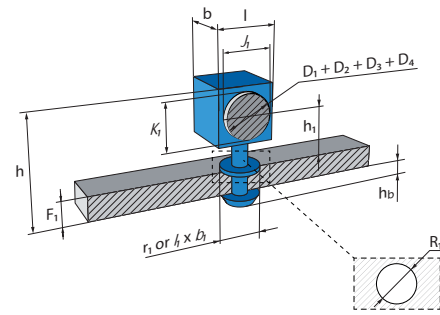


All dimensions in mm / Other dimensions and variants on request.

Ref.	Design	D	R1	F1	J1 x K1	r1 or l1 x b1	h1	hb	l x b x h
053174		1-13.5	6.5	0.7-2	16.8 x 13.5		10	5	22 x 8 x 24
015718		13	6.5-6.7	3.5			12	6.7	20 x 10 x 35.5
222280		14.7	8.95	1.7				15.6	43.5 x 17 x 39
053164		1-8	6.5	0.7-2	10.8 x 8	15 x 8	5	6	20.58 x 8 x 18.4
214907		4.65-4.85	9	0.7-1		20	7.2-7.5	8	20 x 10 x 22.2
225831		4.66-4.86	9-9.5	3.2-5			26	9	30 x 15 x 46
128564		4.8-10	9.8-10.4	0.7-4			9.75	9.3	
202005		4.8-6	10.2	0.7-4		21	7.8-8.4	5.3-8.6	

# TUBE HOLDER

## 1 HOUSING - ROUND HOLE MOUNT - PUSHING IN - CAT HEAD



All dimensions in mm / Other dimensions and variants on request.




Ref.	Design	D	R1	F1	J1 x K1	r1 or l1 x b1	h1	hb	l x b x h
015437		5	6.1-6.3	2.5		8 x 8	4.6	4	16 x 10.7 x 16.5
233016		5	8	0.5-2	11 x 7	8	7	6	13 x 12 x 18.5
249570		5.19-5.28	6.1-6.6	1.25-1.85		21.3 x 15	7.8	1.25-1.85	21.3 x 15 x 25
164745		5.19-5.28	6.1-6.6	1.25-1.85		7.5	7.8	10	21.3 x 15 x 25
019644		5.2	7-7.2	3-3.3		8 x 15.4	3.75	5.1	17.3 x 8 x 16.8
238632		5-5.5	6.4-6.5	0.7-3		19 x 10	4.5	6.7-9	19 x 10 x 19
215098		5-6	6.25-6.75	3.75-4.25			7.6	6	13.7 x 10 x 22.2
161701		6	5.75-6.25	0.5-1.2		6	4.25	6.9	12.5 x 9 x 17.8
020349		6	6.9-7.2	0.8-0.9		25	5.1	5.2	30 x 8 x 15.7

# TUBE HOLDER

## 1 HOUSING - ROUND HOLE MOUNT - PUSHING IN - CAT HEAD

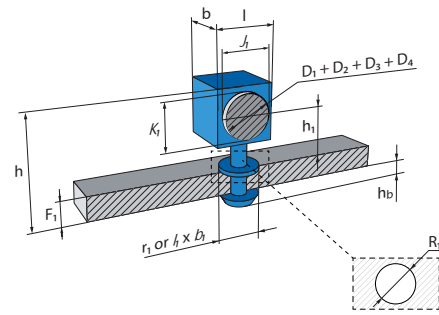


All dimensions in mm / Other dimensions and variants on request.

Ref.	Design	D	R1	F1	J1 x K1	r1 or l1 x b1	h1	hb	l x b x h
259753		6.95-7.2		0.7-3.5		17	8.5	6.7-9.5	23 x 17 x 27.5
020403		9.5	6.15-6.38	2.2-2.6		28	10.8	7-7.4	18.8 x 8.6 x 28.2
225832		9.9-10.1	9-9.5	3.1-3.3			18	7.4	43.1 x 24 x 24

# TUBE HOLDER

1 HOUSING - ROUND HOLE MOUNT - PUSHING IN - OMEGA CLIP



All dimensions in mm / Other dimensions and variants on request.

Ref.	Design	D	R1	F1	J1 x K1	r1 or l1 x b1	h1	hb	l x b x h
014606			6.5-6.7	0.7-2	7.8 x 5.6		4.4	4.7	16 x 8 x 16
015181			6.5-6.7	1-3	8 x 6			4.7	22.3 x 8 x 17.8
015008			6.5-6.7	1.5-3	15.8 x 8.6			4.7	25.1 x 8 x 21.5
014732			6.5-6.7	1.7-2.5	15.4 x 17.4		8.7	4.7	23.6 x 8 x 28
015270			6.5-6.7	2.7-4	10.8 x 7.8	19.6 x 8		4.7	21.9 x 8 x 20.9
014786			8-8.2	4	12.4-12.9 x 12.4-12.9		7.75	6	25 x 8 x 27.4
014319		11.5	6.5-6.7	0.7-2			7	5	18 x 8 x 20
053479		1-18.5	6.5	0.7-2.5	22 x 18.5	18 x 8	6	2	28 x 8 x 30

# TUBE HOLDER

## 1 HOUSING - ROUND HOLE MOUNT - PUSHING IN - OMEGA CLIP



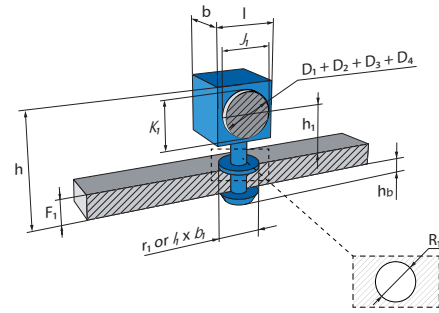
All dimensions in mm / Other dimensions and variants on request.

Ref.	Design	D	R1	F1	J1 x K1	r1 or l1 x b1	h1	hb	l x b x h
016541		7	6.5-6.7	3-4.5		18.6 x 8	5-6.5	4	18.6 x 8 x 17.6
017029		9	6.5-6.7	0.7-2		15 x 8	6.5-7.8	5	20.4 x 8 x 18.3
054170		13.5	6.7	0.5-3	13.5 x 16.8	20 x 8	12	4.9	25 x 8 x 26
014075		15	6.5-6.7	1-3		18.5 x 8	9.5	4.9	25 x 8 x 26
013250		18	6.5-6.7	1.75-3			10.2	5	23.6 x 8 x 26.4
053490		22	6.5	0.7-2	25 x 22	20 x 8	10	5	30.5 x 8 x 30
013951		23.5	6.5	0.7-2			13.5	4.7	30.5 x 8 x 35
054085		25	6.7	0.7-3	29-31 x 25	18.8 x 8	18	5	38.7 x 8 x 39
152158		2-8	6.7	0.7-2.7		24 x 8	10	5	24 x 12.7 x 22
014767		6-16	6.5-6.7	0.7-3			10	4.7	21.6 x 24 x 30
152157		6-16	6.7	0.7-2.7		22 x 8	14	5	23.6 x 15 x 31

# TUBE HOLDER



1 HOUSING - ROUND HOLE MOUNT - PUSHING IN - MANUAL ADJUSTABLE LOCK



All dimensions in mm / Other dimensions and variants on request.

Ref.	Design	D	R1	F1	r1 or l1 x b1	h1	hb	l x b x h
261735			5-5.2	1.5-3.5		26.4	5.5-7.5	40 x 20 x 55
259865			6.5-6.7	0.6-6		21.9	6-12	33 x 20 x 45
240344		14-15	19.5-20.5	11-11.3	4.8-5.2	24	7.1-10.1	32.6 x 20 x 60.6
018202		18	6.5-6.7	2.5	20	13	6.3	29.25 x 30 x 34.19
245623		18-24	6.3-6.7	0.5-3	20-222	24	6.8	51 x 8.15 x 48
247278		19-21	6.5-6.7	0.8-6	16	32.8	6.7-11.9	38 x 20 x 76.5
108122		5	6.6-6.8	0.7-1.5	21	10.5	6.5	22.3 x 21 x 23
018699		21	6.5-6.7	0.8-2.5	22	15.1	6.8	31 x 22 x 34.8

# TUBE HOLDER



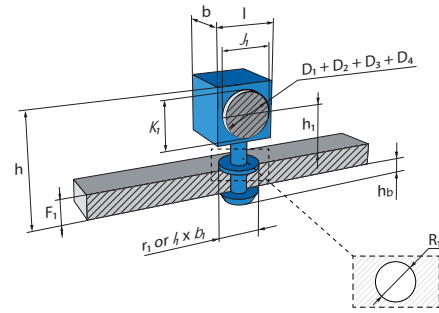
## 1 HOUSING - ROUND HOLE MOUNT - PUSHING IN - MANUAL ADJUSTABLE LOCK

All dimensions in mm / Other dimensions and variants on request.

Ref.	Design	D	R1	F1	r1 or l1 x b1	h1	hb	l x b x h
233857		22.6-23.4	6.5-6.7	0.8-6	22	16.1	6.75-11.95	35.1 x 22 x 42.25
018309		22.6-24	6.5-6.7	0.8-2.5	22	16.1	6.8	34.38 x 22 x 36.92
255621		25-28	6.5-6.7	0.6-6	18	25.6	6.45-11.85	41 x 20 x 53
201850		27	7.8-8.2	2-3	18	17	8.5	52.2 x 20.1 x 65
018700		29	6.5-6.7	0.8-2.5	22	19.1	6.8	40.95 x 22 x 46
206585		32-38	6.5-6.7	1.8-2.2	15	22.75	6.7	70.1 x 20 x 53.8
258977		33.5	6.5	0.8-6	7.7	21.8	6.75-11.95	72.5 x 22 x 57.3
228319		33-38	6.5	2.2-3.5	21	32.3		59.3 x 21 x 86.4
017955		38	8-8.2	2.5	20	28.1	8.5	52.21 x 20 x 62.76

# TUBE HOLDER

1 HOUSING - ROUND HOLE MOUNT - PUSHING IN - VARYING TAB(S)



All dimensions in mm / Other dimensions and variants on request.

Ref.	Design	D	R1	F1	J1 x K1	r1 or l1 x b1	h1	hb	l x b x h
016131			6.4-6.6	0.7-8.5	65 x 17	25		7-14.8	78.5 x 26 x 44.3
015896			6.6-7.3	1.5	5 x 44	13 x 22		7	23 x 22 x 62.5
055259		10-14	8.2	0.7-2		20.5	16	8	20.5 x 20.5 x 33
017578		11.5-13	6.5-6.7	1-6		18	10.65-11.4	4.3-9.3	19 x 18 x 34.3
226151		11-13	8.08-8.3	1.5-6		15	10-11	9-13.5	31.2 x 15 x 47.3
055473		11-18	6.35-6.7	0.5-3		20	22.5-23.5	6.1	48.71 x 20 x 53.84
054353		11-18	6.7	0.7-3		8.2-8.5 x 6.3	19-23	6.5	
017856		12.5-16	6.5-6.7	1-6		18	12.6	5-10	24.2 x 18 x 33.37

# TUBE HOLDER

## 1 HOUSING - ROUND HOLE MOUNT - PUSHING IN - VARYING TAB(S)

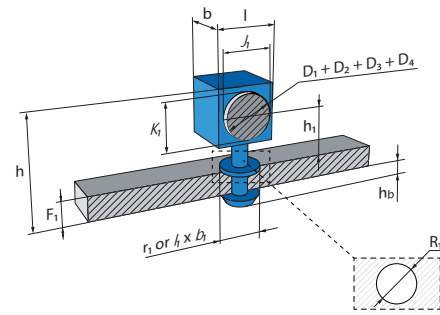


All dimensions in mm / Other dimensions and variants on request.

Ref.	Design	D	R1	F1	J1 x K1	r1 or l1 x b1	h1	hb	l x b x h
205626		13-15	8.08-8.3	1.4-2.7		17.5 x 15	12.5	6.7	29.5 x 15 x 46.2
056157		15-22	6.3-6.7	0.7-3		21	15-18.5	6.5	42.8 x 21 x 47
017737		16-18.5	6.5-6.7	1-6		20	13.2-14.45	7.5-12.5	26.5 x 20 x 43.1
054283		17-24	6.35-6.7	0.7-3		21	21.5	6.5	61 x 21 x 57.5
108412		22-26.5	8.08-8.3	1.5			14.3-16.5	7	41.5 x 15 x 60
054753		22-34	6.35-6.05	0.7-2.5				6	52 x 22 x 55
210544		30	6.58-6.8	7.3		22	32	5.2	44.2 x 22 x 87
019605		3-12	10	1.5		18	15	4.4	34.7 x 10 x 38.8
081319		39	6.5-6.7	0.8-3.5	30 x 40	36 x 32	6.1-8.8	6.8	39 x 25 x 73.5
223714		4.8-5.3	6.4-6.6	0.7-3		7.45-7.95	6.4	11.7	22.2 x 12 x 24.1
163682		5-6.85	7-7.3	2.5-6.5		20	11.7	14.9	16.5 x 15 x 33

# TUBE HOLDER

1 HOUSING - ROUND HOLE MOUNT - PUSHING IN - VARYING TAB(S)



All dimensions in mm / Other dimensions and variants on request.



Ref.	Design	D	R1	F1	J1 x K1	r1 or l1 x b1	h1	hb	l x b x h
054253		6-12	6.35-6.62	0.7-3		20	15.2-18	6.5	34.7 x 20 x 42.3
055286		6-12	6.35-6.7	0.5-3		8.5	15	6.1	
152192		6-13	6.5-6.9	0.7-1.7		18	10	5.3-6.3	38.5 x 18 x 27
203230		6-13	6.7	0.7-2.5		18	11.5	8	43.5 x 18 x 23
016008		6-8	6.5-6.7	0.8-6		20		4.5-9.7	20 x 20 x 39.7
015441		6-8	6.5-6.7	0.8-6		20	7.7-8.7	4.5-9.7	29 x 20 x 29.2
015063		6-8	6.5-6.7	0.8-6		20	7.7-8.7	4.5-9.7	28.74 x 20 x 31.1
016197		6-8	8-8.2	0.8-6		20		4.5-9.7	
211202		7-17	6.5-6.7	0.8-1.8		20	5.2	6.5	38.5 x 20 x 32.6

# TUBE HOLDER

1 HOUSING - ROUND HOLE MOUNT - PUSHING IN - VARYING TAB(S)

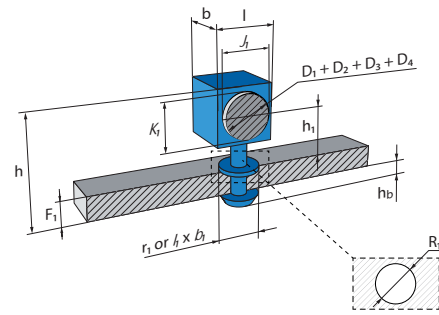


All dimensions in mm / Other dimensions and variants on request.

Ref.	Design	D	R1	F1	J1 x K1	r1 or l1 x b1	h1	hb	l x b x h
014252		7-21	6.3-6.8	0.65-1.8		20	8-15	6	38 x 20 x 36
015566		7-21	6.5-6.7	0.5-4		20	8.5-15.5	3.5-7	38 x 20 x 36.5

# TUBE HOLDER

1 HOUSING - ROUND HOLE MOUNT - PUSHING IN - SWIVELING



All dimensions in mm / Other dimensions and variants on request.

Ref.	Design	D	R1	F1	J1 x K1	r1 or l1 x b1	h1	hb	l x b x h
238393		10.5-12.5	8-8.3	1.5 min		21	16.1	13.6	22.1 x 21 x 41.2
240072		10-12	5-5.2	1.5-3.5		16	18.4-19.4	5.4-7.4	17 x 16 x 34.3
235198		10-12	5-5.2	1.5-3.5		16	28.4	10.7	17 x 16 x 44.3
205951		10-12	6.3-6.5	0.8-2		20	19	6.5	20 x 10 x 34.5
205950		10-12	6.3-6.5	0.8-2	10 x 10	20	43.3-44.5	6.5	14 x 10 x 58
249248		10-12	6.35-6.7	0.7-2		16	16.7	5.5-6.8	16 x 16 x 34
218795		11.5-13.5	6.5	0.8-6		20.5	35.8		20.5 x 20.5 x 53.6
214642		13-14	7.8-8.2	0.8-6		20	18.3	6.5-11.7	20 x 20 x 42.9

# TUBE HOLDER



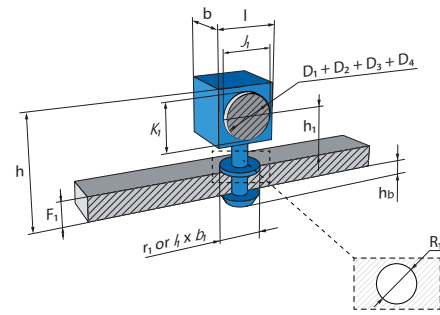
## 1 HOUSING - ROUND HOLE MOUNT - PUSHING IN - SWIVELING

All dimensions in mm / Other dimensions and variants on request.

Ref.	Design	D	R1	F1	J1 x K1	r1 or l1 x b1	h1	hb	l x b x h
155067		14-16	6.5-6.7	0.8-6		20	16	4.5-9.7	21.8 x 10 x 39.1
100606		14-16	6.58-6.8	1-2		21	19.2-20.2	6.5	21.7 x 21 x 36.3
100405		14-16	8.08-8.3	0.7-1.5		21	18.7-19.7	6.5	21 x 21 x 36.2
168920		15-16	7.6-8.4	2-9.5		16	18.2	17	21.5 x 10 x 44.7
061395		16-18	6.35-6.7	0.5-3		21	21	6.7	21 x 21 x 39.2
250464		16-18	6.7;6.5	0.8-6		16	19	6.75-11.95	20 x 12 x 44.75
221701		16-24	6.5	0.8-6		20	24.7		44.9 x 20 x 58.1
100632		17.5-19.5	8.08-8.3	0.7-2.5		21	20.7-21.7	6.5	25.4 x 21 x 40.2
205949		18-20	6.3-6.5	0.8-2		20	21-22.2	6.5	22 x 12 x 43.5
061881		18-20	6.35-6.7	0.5-3			21.5	6.5	25 x 21 x 39.2
233684		20-24	7.8-8.2	0.8-6			21.2	9.2-4	

# TUBE HOLDER

1 HOUSING - ROUND HOLE MOUNT - PUSHING IN - SWIVELING



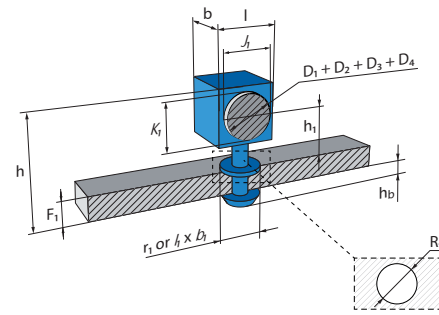
All dimensions in mm / Other dimensions and variants on request.

Ref.	Design	D	R1	F1	J1 x K1	r1 or l1 x b1	h1	hb	l x b x h
226765		23-30	6.5	0.8-6		20	40.4	4-9	53.25 x 20 x 76.4
249249		25-27	6.3-6.7	0.5-3		21	36.5	7	32 x 21 x 65
227235		28-30	6.5	0.8-6		16	27		40.79 x 16 x 58.05
061240		29-33	6.5	0.8-2		20	33.1	6.5	36.6 x 20 x 57.9
155204		4.3-5.2	6.5-6.7	0.8-6		20	13.9	4.5-5	20 x 10 x 28.5
206177		4.5-6	6.58-6.8	1-2		21	14.2-15	6.5	21 x 21 x 26
241507		5.5-7	8.08-8.3	0.7-2.5		21	14.9-15.7	6.5	21 x 21 x 31
061665		8-9	6.35-6.7	0.5-3		21	17	6.5	21 x 21 x 29.3
238208		9.5-11	7.8-8.2	0.8-8		20	17.8	18	20 x 20 x 38

# TUBE HOLDER



1 HOUSING - ROUND HOLE MOUNT - PUSHING IN - SWIVELING - WITH LOCK

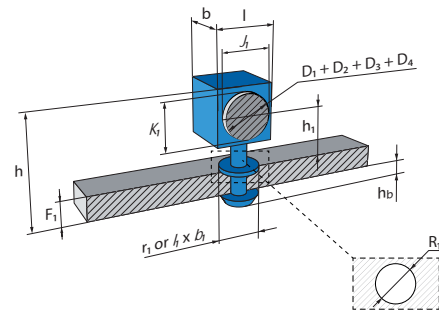


All dimensions in mm / Other dimensions and variants on request.

Ref.	Design	D	R1	F1	r1 or l x b1	h1	hb	l x b x h
236799		10-14	6.5	2.2-3.5	21	19.6		34.4 x 21 x 38.3
255873		10-14	6.5-6.7	0.8-6	20	18	7-12.2	35 x 20 x 40
213160		13-15	8.08-8.3	1.5-6	20	18-19	13.5-9	31.2 x 20 x 44
233055		13-15	8.08-8.3	1.5-8	21	19.7-20.7	7.1-13.6	31.2 x 21 x 45.8
209026		14.5	6.58-6.8	1-2	21	21.2	6.5	28.7 x 21 x 51.8
247919		14-15	6.5-6.7	2.2-3.5	21	20.7	7	27 x 21 x 40
243733		14-15	6.58-6.8	0.8-6	16	34.7-35.2	6.75-11.95	32.7 x 16 x 70.2
100679		15-20	6.58-6.8	0.7-2.5	21	23-25.5	6.5	40 x 21 x 43.3

# TUBE HOLDER

1 HOUSING - ROUND HOLE MOUNT - PUSHING IN - SWIVELING - WITH LOCK



All dimensions in mm / Other dimensions and variants on request.

Ref.	Design	D	R1	F1	r1 or l1 x b1	h1	hb	l x b x h
100532		15-20	8.08-8.3	0.7-2.5	21	23-25.5	6.5	40 x 21 x 43.4
237839		16-22	6.5	2.2-3.5	21	22.7	6	45.5 x 21 x 45.35
247672		16-22	6.5-6.7	0.6-6	18	11.45	6.45-11.85	45.5 x 20 x 47.3
255430		17	6.5-6.7	0.6-6	18	20.35	6.5-11.9	29 x 20 x 43
228110		17	6.5-6.7	0.8-6	16	20.8	12.8	35 x 20 x 58.3
211117		19	8.08-8.3	1.5-6	20	18.5	9-13.5	32 x 20 x 60.6
240946		19-21	6.5-6.7	0.8-6	16	22.8		45 x 20 x 69.6
251211		19-21	6.5-6.7	0.8-6	20	23.6	4.3-9.5	38 x 20.1 x 64.8
241783		20-21.5	6.58-6.8	1-2	21	24.6-25.3	6.5	35.5 x 21 x 62

# TUBE HOLDER



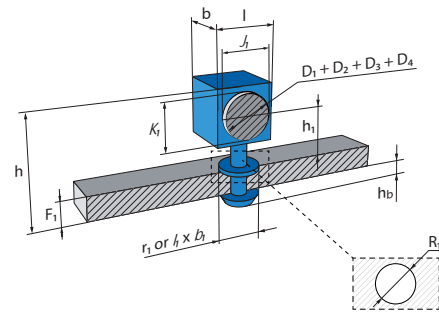
## 1 HOUSING - ROUND HOLE MOUNT - PUSHING IN - SWIVELING - WITH LOCK

All dimensions in mm / Other dimensions and variants on request.

Ref.	Design	D	R1	F1	r1 or l1 x b1	h1	hb	l x b x h
224888		20-21.5	8-8.3	1.5-7	21	23-23.7	8-13.5	35 x 21 x 68.9
203524		20-21.5	8.08-8.3	0.7-2.5	21	24.6-25.3	6.5	35.4 x 21 x 61.9
100537		20-25	8.08-8.3	0.7-2.5	21	25-27.5	6.5	44 x 21 x 48.2
231124		21-23	8-8.3	1.5-6	20	19.5-20.5	9-13.5	38.1 x 20 x 66.3
218881		22-24	5	0.8-6	16	24.5	10.4	41 x 20 x 65.7
216945		22-24	5-5.2	1.5-3.5	16	24.2		41 x 20 x 66
255442		22-24	6.5-6.7	0.6-6	18	23.35	6.5-11.9	38 x 20 x 40
247934		22-24	6.5-6.7	2.2-3.5	21	25.8	7	35 x 21 x 48
241724		22-24	6.5-6.8	0.7-2	16	24-25	6.5	41 x 20 x 63.9
242398		22-24	7.8-8.2	0.8-6	20	24.2	7-13	40 x 20 x 55
247836		22-24	7.8-8.2	0.8-8	20	23.6	5-12.2	35 x 20 x 55

# TUBE HOLDER

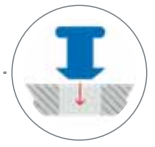
1 HOUSING - ROUND HOLE MOUNT - PUSHING IN - SWIVELING - WITH LOCK



All dimensions in mm / Other dimensions and variants on request.

Ref.	Design	D	R1	F1	r1 or l1 x b1	h1	hb	l x b x h
223904		22-26.5	8-8.3	1.5 min	21	39-41.2	13.5	41.5 x 21 x 76.8
100484		23.5-24	8.08-8.3	0.7-1.5	21	23.6	6.5	37 x 21 x 62.5
246856		24	8-8.3	1.5	21	23	13.6	37.1 x 21 x 69.6
248205		25	6.5-6.7	0.8-6	16	35	6.8-12	51.6 x 16 x 62.3
243710		25.1-25.9	4.8-5.2	0.8-6	16	24.2	2-7.2	35 x 20 x 54
247001		25.1-25.9	6.5-6.7	0.8-6	16	23.2	7-12.2	44.81 x 20 x 50
253516		25-28	6.5-6.7	0.6-6	18	25.6	6.5-11.9	42 x 20 x 53
241491		25-32	6.58-6.8	1-2	21	28.1-31.6	6.5	50.5 x 21 x 53.9
235764		30-40	6.58-6.8	2-3	21	13.3	6.5	52.7 x 21 x 73.6

# TUBE HOLDER



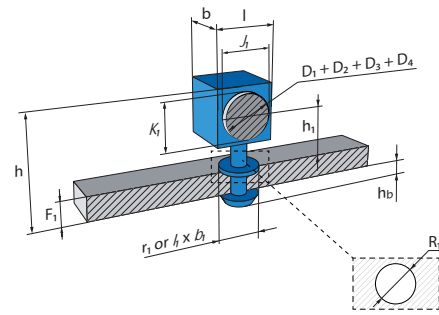
## 1 HOUSING - ROUND HOLE MOUNT - PUSHING IN - SWIVELING - WITH LOCK

All dimensions in mm / Other dimensions and variants on request.

Ref.	Design	D	R1	F1	r1 or l1 x b1	h1	hb	l x b x h
100735		30-40	8.08-8.3	0.7-2.5	21	27.3-32.3	6.5	52.7 x 21 x 72.4
100680		32-36	8.08-8.3	0.7-2.5	21	28.7-30.7	6.5	55.5 x 21 x 78.8
259434		33-38	6.5-6.7	0.6-6	18	29.55	6-11	48 x 16 x 64
155197		33-38	6.5-6.7	0.8-6	20	40.1-43.1	4.5-5	62.5 x 16 x 102
212883		40-50	6.58-6.8	1-2	21	32.2-37.2	6.5	79.6 x 21 x 69
100167		40-50	8.08-8.3	0.7-2.5	21	32-37	6.5	80 x 21 x 69
214384		8	6.5-6.8	2-3	21	17.4	6.5	24.8 x 21 x 41.7
201936		8	6.58-6.8	1-2	21	16	6.5	24.7 x 21 x 40.7
241195		8	8-8.3	1.5-6	20	13	9-13.5	22.9 x 20 x 44.9
100542		8	8.08-8.3	0.7-2.5	21	16	6.5	24.8 x 21 x 40.6
240879		43	6.3-6.7	0.5-3	21	35		59 x 16 x 65

# TUBE HOLDER

1 HOUSING - ROUND HOLE MOUNT - PUSHING IN - SWIVELING - WITH LOCK

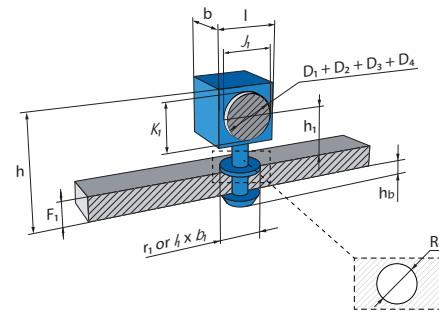


All dimensions in mm / Other dimensions and variants on request.

Ref.	Design	D	R1	F1	r1 or l1 x b1	h1	hb	l x b x h
223031		8-11	6.58-6.8	0.7-2	21	21	6.5	25.2 x 21 x 45.7
244096		8-11	6.58-6.8	2-3	21	20.5	6.5	25.2 x 21 x 46.8
213922		8-11	8.08-8.3	0.7-2.5		18.5	6.5	25.2 x 21 x 45.7
212298		8-11	8.08-8.3	1.5-6	20	16.1	9-13.5	24.7 x 20 x 51
243560		9.8-10	6.5-6.7	0.8-6	16	28.3	6.8-12	38.5 x 16 x 51.9
246936		9-15	9.08-9.3	1-7	20		7.5-13.5	29 x 20 x 60.3

# TUBE HOLDER

## 1 HOUSING - ROUND HOLE MOUNT - PUSHING-PRESSING IN

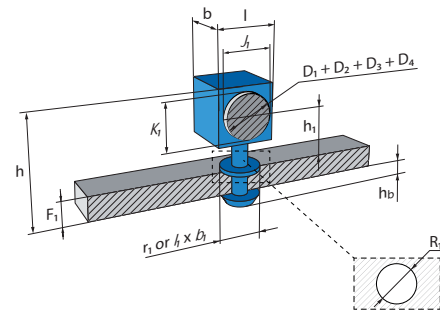


All dimensions in mm / Other dimensions and variants on request.

Ref.	Design	D	R1	F1	J1 x K1	r1 or l1 x b1	h1	hb	l x b x h
063591		10	6.5-6.7	0.5-2.6			8.5	6	22 x 21 x 17.5
063350		12	6.7	0.5-4			12	7.5	19 x 15 x 30
018467		13.5	6.5-6.7	2.5		17 x 15	10	2.5	22 x 15 x 25.75
057053		13.5-16.5	6.35-6.7	0.5-4			15	3.5-7	52.73 x 15 x 42.8
017685		14-16	6.5-6.7	0.5-4			15	3.5-7	26 x 18 x 38.5
018593		14-16	6.5-6.7	2.5		17 x 15	11	5	23.6 x 15 x 32
106122		15.8-18.5	8.1-8.3	0.7-2.5		12	11.4-12.7	3.5-5.3	45.3 x 15 x 48.2
064570		17.8-18.2	13	4-8			12.5	6-10	38 x 20 x 46

# TUBE HOLDER

## 1 HOUSING - ROUND HOLE MOUNT - PUSHING-PRESSING IN



All dimensions in mm / Other dimensions and variants on request.

Ref.	Design	D	R1	F1	J1 x K1	r1 or l1 x b1	h1	hb	l x b x h
055154		17-19	6.5	0.5-4			14	7.5	22 x 22 x 32
106097		22-26.5	8.08-8.3	0.7-2.5		5	16-18.2	3.5-5.3	54 x 15 x 66.8
019034		7	6.5-6.7	1		7	5.5	5.5	10.6 x 10 x 17.5
015314		24	6.3-6.5	0.7-0.8			15	6.7-6.8	33.5 x 12 x 38
013847		24	6.9-7.1	0.75-2.2		7.6	16	5.3-6.25	56 x 27 x 83
056654		24-26	7.1	0.75-2.5		7.1	17	5	31 x 13.5 x 41.5
056098		30-44	6.5	0.5-4			23-29	7.5	90.3 x 15 x 92.5
057062		31-34	10	0.7-4			21.5	7	37 x 20 x 48.5
233071		34	10	2	55 x 34	10	36	3	

# TUBE HOLDER



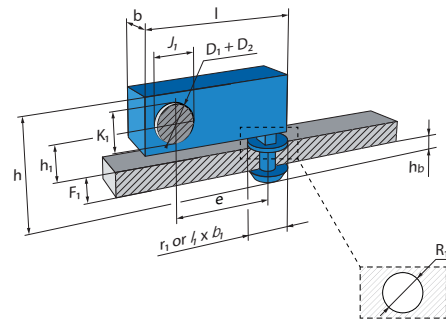
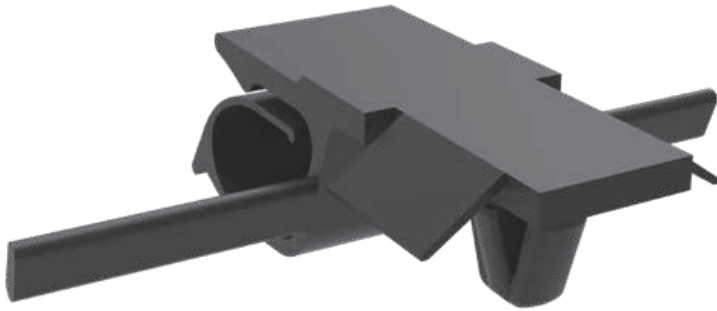
## 1 HOUSING - ROUND HOLE MOUNT - PUSHING-PRESSING IN

All dimensions in mm / Other dimensions and variants on request.

Ref.	Design	D	R1	F1	J1 x K1	r1 or l1 x b1	h1	hb	l x b x h
015040		39	7-7.2	3-4.5		13.5	23.5	6.5-8	46 x 13.5 x 58.5
063274		4.8-5.25	6.5	0.5-3			6	6.4	14 x 12 x 18.4
017462		4.8-6	6.4-6.6	3		6.5	12	1.5-2.7	12.8 x 12 x 26
016816		4.8-6	6.5-6.7	0.5-3			6	2.5-5.5	12.8 x 12 x 18
018279		4.8-6	6.5-6.7	2-5			6	2-5	12.8 x 12 x 19.5
020287		4.8-6	6.5-7.2	0.5-3		6.5	9.65	3-5.5	12.8 x 12 x 22.15
064266		4.8-8	6.7	0.5-4			8.5-10.1	3.5-7	20 x 20 x 26
244968		5.25-8	6.35-6.55	0.7-4		18	9	6.5-9.8	40 x 18 x 29
064894		6.5-7	6.35-6.7	0.7-4			6	3.5-6.8	10 x 10 x 18.5
063571		8-10	6.5	0.4-4		6.4	9	3.5-7.1	17 x 14 x 26.5
019059		8-10	6.5-6.7	0.5-4.5		6.5	9	3-7	17 x 14 x 26.5

# TUBE HOLDER

## 1 HOUSING - ROUND HOLE MOUNT WITH OFF-SET



All dimensions in mm / Other dimensions and variants on request.

Ref.	Design	D1	J1 x K1	R1	F1	D2	r1 or l1 x b1	h1	hb	e	l x b x h
057256				6.5	0.7-1.5	1.3-10	20.6 x 10	6	7	16	40 x 52 x 14.5
221620		3-7.5		6.3-6.5	0-8.65		7.5	11.8		26	39 x 12 x 17.05
016768		3-7.5		6.3-6.5	0.75			9.2	6.75	24	37.25 x 12 x 17.05
063291		4.5		6.5-6.7	0.5-2.5			4.5	6.5	8	18.1 x 10 x 18
019156		4.75		6.5-6.7	0.5-2.5		6.5	3.5	3.5-5.5	6.5	15.5 x 9 x 19.2
064299		4.8-6		6.5	0.5-3			7	7.5	9.2	19.3 x 14 x 23.3
019550		5		10	0.8-3		22	3.7	5-7.2	17	32 x 22 x 18.3
063268		6		6.5	0.5-2.5			5	2.5-5	9	20.5 x 10 x 20

# TUBE HOLDER



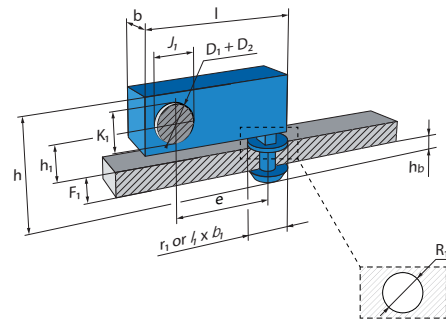
## 1 HOUSING - ROUND HOLE MOUNT WITH OFF-SET

All dimensions in mm / Other dimensions and variants on request.

Ref.	Design	D1	J1 x K1	R1	F1	D2	r1 or l1 x b1	h1	hb	e	l x b x h
233358		6-10		6.3-6.7	0.65-1		19	9	7.3	16	32.25 x 19 x 24.95
019036		7		6.5-6.7	0.7-1.5		26 x 15	4.5	4.5-5.3	15.5	30 x 15 x 16
213295		8		8.08-8.3	2.5			14.1	6.4	8.7	29.7 x 13.9 x 39.8
213123		8-11		8.08-8.3	0.7-4.5				3.5-7.3	33.4	55.1 x 14 x 32.7
216263		12		6.5-6.7	2			15	7	16	37.23 x 12.2 x 35.17
055962		12		12.8-13.2	4-7			8	10	15	32.9 x 18 x 35
020519		13-13.5		6.5-6.7	1-1.7		11.5 x 4.5	7	3.3	5.3	22 x 15 x 17.9
020806		13-14		6.5-6.7	0.7-1.5		11.6 x 4.5	6.9	3	10.2	25.6 x 15 x 16.8
055268		13-24		6.35-6.7	0.5-3			5	4.5-7	30	65.52 x 12 x 35
011326		14		6-6.4	0.75-1		9.7 x 5	7.4	2.8	1.8	23.5 x 15 x 16.1
064156		14		6.5	0.7-4			10	3.5-6.8	9	23 x 19 x 26

# TUBE HOLDER

## 1 HOUSING - ROUND HOLE MOUNT WITH OFF-SET



All dimensions in mm / Other dimensions and variants on request.



Ref.	Design	D1	J1 x K1	R1	F1	D2	r1 or l1 x b1	h1	hb	e	l x b x h
236090		14.55-14.85	14.55-14.85 x 14.55-14.85	6.2-6.8	0.7-4		7.5 x 7.5	19.8	16.3	29.1	52.6 x 15 x 47.1
226077		14.55-14.85	14.55-14.85 x 14.55-14.85	8.7-9.2	1.55-1.85		10.5 x 10.5	19.8	17.3	29.1	52.6 x 15 x 48.1
249577		14.7		8.95	1.55-1.85		10.5	8.85	15.45-15.75	15.5	43.5 x 17 x 39
249576		14.7		8.95	1.7		10.5	13.5	15.6	30	53.1 x 16.5 x 41.4
015110		15		10-10.3	0.8			15	9.2	24	46 x 15 x 48.5
213354		16		8.08-8.3	2.5			21.4	6.4		30.6 x 46.1 x 55.4
213657		16		12	12				10	53.4	85.7 x 74 x 49.2
248200		20-22		6.5-6.7	0.6-3		16	13.5	5.6-8	9	30.3 x 20 x 33.5
248063		25-27		6			16	23		36	65.5 x 20 x 70.2

# TUBE HOLDER

## 1 HOUSING - ROUND HOLE MOUNT WITH OFF-SET

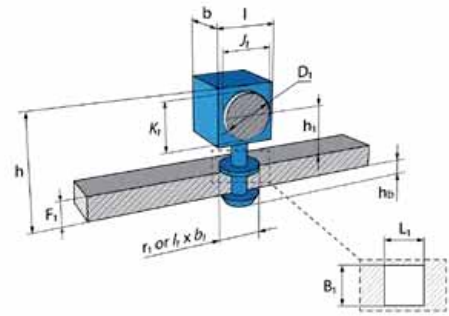


All dimensions in mm / Other dimensions and variants on request.

Ref.	Design	D1	J1 x K1	R1	F1	D2	r1 or l1 x b1	h1	hb	e	l x b x h
235404		34-37		7.9-8.1	2.4-2.6			24.3		18	
019044		40		10-10.2	1.2-2			27.5	6-6.8	34	73.2 x 30 x 57.3

# TUBE HOLDER

## 1 HOUSING - SQUARE HOLE MOUNT



All dimensions in mm / Other dimensions and variants on request.

Ref.	Design	D1	J1 x K1	L1 x B1	F1	r1 or l1 x b1	h1	hb	l x b x h
015272			22-23 x 19.5-20.5	6.5-6.7 x 6.5-6.7	0.7-2		13.7	12	32.5 x 20 x 41.7
237332		5		6.9-7.1 x 6.9-7.1	1-3.2	9.2 x 6.6	14.8	7.2	21.3 x 10 x 36
019371		13		6.5-6.7 x 6.5-6.7	0.75-1.05	16 x 14	1.4	5.7	42.5 x 14 x 12.8
223564		13.3-13.9		10-10.2 x 10-10.2	1.3-1.9	9.6-10	13.5-14.1	6.7	17.5-18 x 10 x 27.3
212106		16		7.55-8.45 x 7.55-8.45	1-2	20	13.5	6.2-7.2	31.6 x 12 x 32.7
019062		17		7.2-7.6 x 7.2-7.6	2.5	8.4 x 8.4	13	5	20.5 x 16 x 33
108179		18		11 x 11	1.2-1.5		11.5	11.5-11.8	32.6 x 16 x 51.7
200565		20-21.5		8 x 8	2		12.3-13	6.5	35.5 x 15 x 52.1

# TUBE HOLDER

## 1 HOUSING - SQUARE HOLE MOUNT

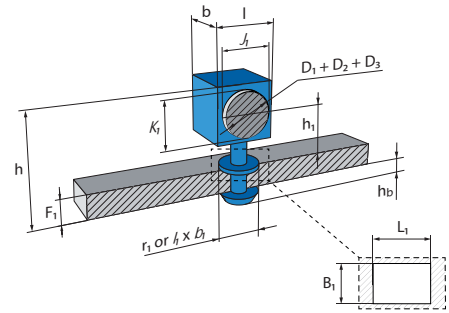


All dimensions in mm / Other dimensions and variants on request.

Ref.	Design	D1	J1 x K1	L1 x B1	F1	r1 or l1 x b1	h1	hb	l x b x h
220032		20-22		8 x 8	0.8-1.9	7.6-7.8	22.5-24.5	8.4	17.75-18.25 x 17.75-18.25 x 47.3-49.3
246950		21.5-22.5		7.9-8.1 x 7.9- 8.1	1.9-2.1		15.9	8.9-9.1	49.02 x 20 x 34.65
014062		22.7-23.3		7.1-7.3 x 7.1- 7.3	0.8-1.2	9.2 x 6.5	13	12	27.2 x 16 x 39
224107		29 / 35	29 x 35	8-8.2 x 8-8.2	1			7	53.8 x 25 x 59.6

# TUBE HOLDER

## 1 HOUSING - RECTANGULAR HOLE MOUNT



All dimensions in mm / Other dimensions and variants on request.





Ref.	Design	D	J1 x K1	L1 x B1	F1	r1 or l1 x b1	h1	hb	l x b x h
016868			67.5 x 40	41 x 16.5	2			4.5	77 x 16 x 58.1
017404		13 + 10 + 2	26 x 13	10-10.2 x 5-5.2	2		4.5-10	7	42 x 15 x 29.7
244788		19-28		12.2 x 6.2	1.5-2.7	11.75	24.7	2.4	50.8 x 13 x 45.4
108053		22-26		12-12.2 x 8-8.2	0.7-2	25.5 x 15	19-21	7	72.9 x 15 x 52.5
052863		4.8	12.8 x 4.8	9 x 4.5	0.9-1.5	12.4 x 7.5	10	3	18 x 7.5 x 17
212192		5.8		13 x 7	0.2-0.3	7	6.5	2	15 x 9 x 16
013677		6		10-10.2 x 8-8.2	0.88		8	1.5	15 x 12 x 15
019757		12		6.4-6.6 x 7.8-8.2	0.8-2	20 x 10	8.6	7.8	20 x 10 x 41.8

# TUBE HOLDER

## 1 HOUSING - RECTANGULAR HOLE MOUNT

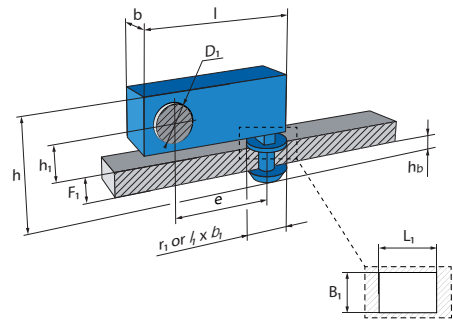


All dimensions in mm / Other dimensions and variants on request.


Ref.	Design	D	J1 x K1	L1 x B1	F1	r1 or l1 x b1	h1	hb	l x b x h
219709		15		7-7.2 x 6	0.95-1.05	22.4	12.5	8	25.3 x 10 x 33.2
247777		18		24-24.4 x 18.3-18.7	2.2	23.8 x 29.5	30.7	9	36.9 x 29.5 x 70
218584		19.5		6.9-7.1 x 4.9-5.1	1.1-1.3	6.8 x 4.8	13.5	8.7-8.1	24.5 x 10 x 35.5
223357		26		23.6 x 13	1.3-1.5	13 x 23.6	14.25	5.5-5.7	54.7 x 32 x 67

# TUBE HOLDER

1 HOUSING - RECTANGULAR HOLE MOUNT WITH OFF-SET

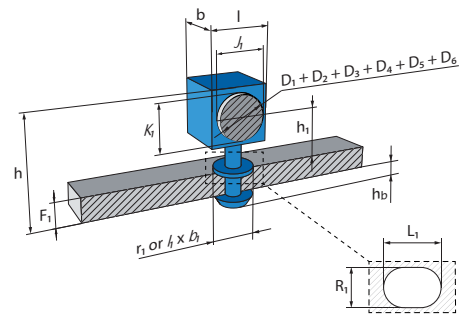


All dimensions in mm / Other dimensions and variants on request.

Ref.	Design	D1	L1 x B1	F1	r1 or l1 x b1	h1	hb	e	l x b x h
016612		7.8	7 x 4	0.6	18	4.1	7.5	14.2	36 x 18 x 17.6

# TUBE HOLDER

## 1 HOUSING - OBLONG HOLE MOUNT

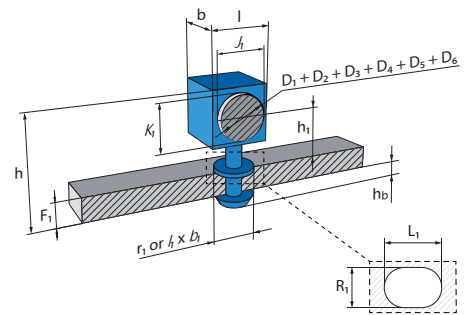


All dimensions in mm / Other dimensions and variants on request.

Ref.	Design	D	J1 x K1	L1 x R1	F1	r1 or l1 x b1	h1	hb	l x b x h
201390		10		12.2 x 6.2	1.5-2.5	16	9.3	2.5	16 x 16 x 22
212347		10.5-11.5		12.2 x 6.2	2-3.5		8.75	5.8	16 x 16 x 26.32
055293		10-26		12.1-12.25 x 6.1-6.25	0.6-2.5	22	13-21	6.5	47 x 22 x 45
210340		11		12.2 x 6.2	2.5-3	27.42 x 21.42	15.25	5.8	27.42 x 21.42 x 34
056095		11-20 + 11-20		12.2 x 6.2	0.67-3	20	37.3	7	28 x 26 x 46.5
132096		12		12.2 x 6.2	0.7-5	30	15	5-9.3	30 x 30 x 36.7
057488		12		14.2 x 7.2	0.5-3		13	7-4.5	19 x 25 x 29
231003		14.9-15.1		6.15-6.25 x 12.15-12.25	0.7-0.8	5.95-6.15	27.8	2.5	18 x 13 x 41.95

# TUBE HOLDER

## 1 HOUSING - OBLONG HOLE MOUNT



All dimensions in mm / Other dimensions and variants on request.

Ref.	Design	D	J1 x K1	L1 x R1	F1	r1 or l x b1	h1	hb	l x b x h
018439		15		12.3 x 6.3	1.5-3	21	13	6.5	21.5 x 21 x 51.3
224476		16-20		12.2 x 8.2	1-5	25.3	13	4-9	34.2 x 12 x 41.5
061483		17		12.2 x 6.2	0.8-2	7.4			
055272		17-24		12.2 x 6.2	0.5-3	24	20	6.55	59.2 x 24 x 62.8
254137		18		12.1-12.3 x 6.1-6.3	0.6-3	22.4 x 16.4	20.2	2.7-5.1	24 x 16.4 x 39
205789		1-8.5 + 4 + 2	8.5 x 14	12.2 x 6.2	0.62-4	22 x 16	8.5	3.4-6.78	29.92 x 60 x 24.4
237849		18-22		12.2-12.4 x 6.2-6.4	1.8-2	19.7 x 10	19.2-21.2	6.8	27.4 x 10 x 40
244692		19-28		12.2 x 6.2	1.75-4.8	24	26-28		44.3 x 24 x 54
056061		2.5-8 + 2.5-8	16 x 8	12.2 x 6.2	0.67-2	20	9.2	6	21.8 x 20 x 21.5

# TUBE HOLDER



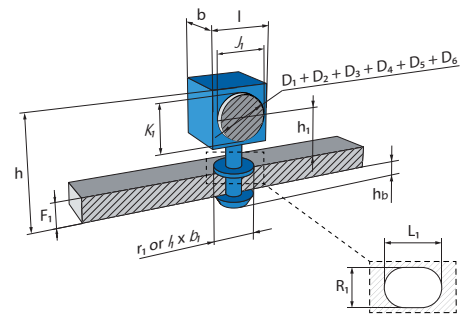
## 1 HOUSING - OBLONG HOLE MOUNT

All dimensions in mm / Other dimensions and variants on request.

Ref.	Design	D	J1 x K1	L1 x R1	F1	r1 or l1 x b1	h1	hb	l x b x h
057656		2.5-8 + 2.5-8	16 x 8	12.2 x 6.2	0.67-3	20	9.2	7	21.3 x 20 x 22.1
056373		20-30		12.2 x 6.2	0.7-3	24	20-25	6.6	73.55 x 18 x 74.5
128261		2-14		12.2 x 6.2	0.67-3	20	14.1	6	28 x 23 x 30.3
251417		22-24		12.1-12.3 x 6.1-6.3	0.6-3	22.4 x 16.4	24.5	2.6-5	32.3 x 20 x 43.4
057258		23		12.2 x 6.2	0.67-1.5	23 x 23	25	9	30 x 23 x 55
258350		23-27		11.7-12 x 6-7	0.7-4	23.17 x 10	19	8.3-11.6	36.9-37.7 x 10 x 45.7-52.3
057089		24.5		12.2 x 6.2	0.97-2	20	19.7	6.2	
206902		2-8 + 2		12.2 x 6.2	0.7-4	22 x 16	8	3.4-6.7	29.9 x 22 x 23.55
225563		3.92-4.08		9-9.2 x 4.9-5.1	0.56-0.64	10 x 8.5	9	4.5	21.5 x 10 x 23.5
205156		3-12		12 x 6.2	1.5-4	23	18.03	9.2	
055273		3-12		12.2 x 6.2	0.5-3	24	13.7-15.8	4	35 x 10 x 40

# TUBE HOLDER

## 1 HOUSING - OBLONG HOLE MOUNT



All dimensions in mm / Other dimensions and variants on request.






Ref.	Design	D	J1 x K1	L1 x R1	F1	r1 or l1 x b1	h1	hb	l x b x h
132006		3-12		12.2 x 6.2	0.7-3	24	13.7-18.5	6.65	35 x 24 x 42.7
200920		32.6-36		12.2 x 6.2	0.7-3	22.4 x 20	27	5	101.94 x 22.4 x 37.6
129668		4.75-5.25		12.2 x 6.2	0.7-2.5	20	9	1.5	
220496		4.75-8.3		12.2 x 6.2	0.5-2.5		9.7-10.6	6.5	20 x 20 x 27.4
201159		4.9-5.25		12.2 x 6.2	4.3-5	11.75	10	2.35	
246257		5		12.2-12.4 x 6.2-6.4	0.7-3	11.4-11.8 x 5.6-6	7.1	9.8	19.5 x 13.3 x 30.55
256033		5.9-6.1	9 x 11	12.1-12.3 x 6.1-6.3	0.5-0.7	12 x 6	11.2	6.3	24.7 x 6 x 25.4
247359		5-7.1			0.7-4	22 x 16	4.5	4.8-8.1	22 x 16 x 32.25
258981		7		20-22 x 10-12	3.9-4.1				26.2 x 33 x 32.7

# TUBE HOLDER

## 1 HOUSING - OBLONG HOLE MOUNT

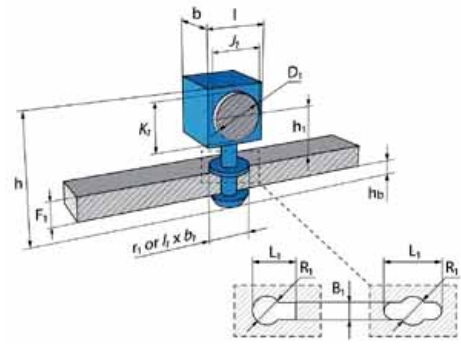


All dimensions in mm / Other dimensions and variants on request.

Ref.	Design	D	J1 x K1	L1 x R1	F1	r1 or l1 x b1	h1	hb	l x b x h
215097		7.5-8		12.3-12.7 x 6.3-6.7	1.8-2.2	8.5	7.2-7.6	3	18 x 14 x 20.3
227233		7-9		12-12.4 x 6-6.4	2.8-3.2	13.8	8.8	6	20 x 12 x 28.9
202461		8-9.2		12.2 x 6.2	0.8-2	20.14 x 14.2	11.8	5.1	20.14 x 14.2 x 24.9
020295		9;15		12.2 x 6.2	1.5-3	22 x 15	14.7-16.2	2.5	24.8 x 12 x 35
201516		9-21		12.2 x 6.2	1.5-3.5	24	20	10	49.1 x 24 x 57.54

# TUBE HOLDER

1 HOUSING - HOLE MOUNT - KEYHOLE

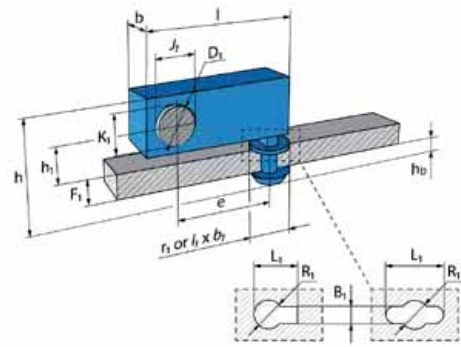


All dimensions in mm / Other dimensions and variants on request.


Ref.	Design	D1	L1 x B1	F1	r1 or l1 x b1	h1	hb	l x b x h
020083		38	23-23.5 x 6.5-6.7	1.8-2.2	27	26.6	6	52.26 x 33.5 x 55.13

# TUBE HOLDER

## 1 HOUSING - KEYHOLE MOUNT WITH OFF-SET

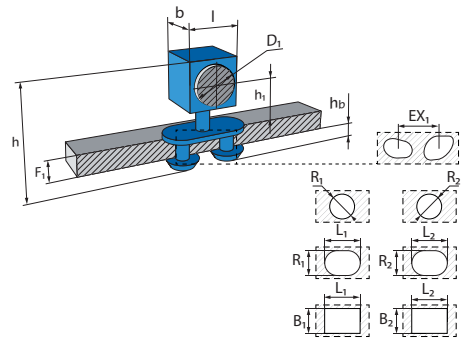


All dimensions in mm / Other dimensions and variants on request.

Ref.	Design	D1	L1 x B1	F1	r1 or l1 x b1	h1	hb	l x b x h
254941		8	8.35 x 2	2	12 x 10	8.5	6.8	27 x 12 x 22.5

# TUBE HOLDER

1 HOUSING - HOLE MOUNT - MULTIPLE HOLES

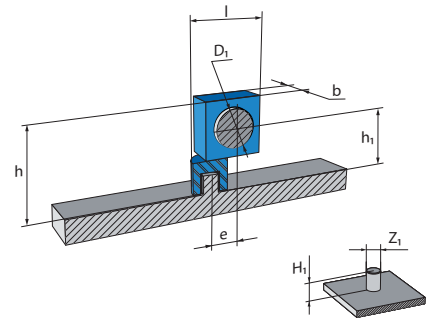


All dimensions in mm / Other dimensions and variants on request.



Ref.	Design	D1	R1	L1 x B1	F1	L2 x B2	R2	h1	hb	l x b x h
245096			8-8.3		2		7-7.3	15	6.5	63 x 53.4 x 32.6
053845		4.8-6.3		10 x 3	0.6-3	10 x 3		2.4-6.2	6.7	26.1 x 9.7 x 19
221473		7.85-8.15	4.8-5.2		0.6-1		6.3-6.7	8.9	8	33 x 12.9 x 36.1
016692		16	6.9-7.1		0.75-2.2		4.13	12	5.3-6.75	20.2 x 13.5 x 32.5

# TUBE HOLDER

## 1 HOUSING - STUD MOUNT WITH OFF-SET - ROUND STUD

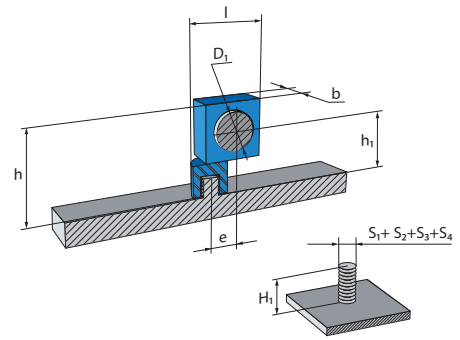
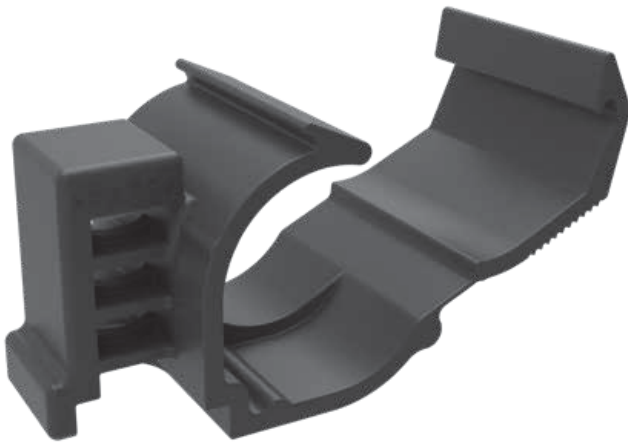
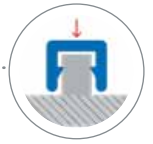


All dimensions in mm / Other dimensions and variants on request.

Ref.	Design	D1	H1	Z1	h1	e	l x b x h
057790		3-13	13.8	5.9-6.1	15	11.5-16.5	37 x 20 x 25.26
020276		9	6	6.5	19.7	28.1	46 x 25 x 25.2

# TUBE HOLDER

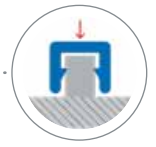
## 1 HOUSING - STUD MOUNT WITH OFF-SET - THREADED STUD



All dimensions in mm / Other dimensions and variants on request.

Ref.	Design	D1	H1	S	h1	e	l x b x h
132070		3-12	14	T5 Stud	11.5	13	27.7 x 15.7 x 19
230995		3-13	14	T5 Stud	16.5	21	45.2 x 12 x 33
015882		3.2	14.3	T5 Stud	7	7.5	17.7 x 12 x 13.5
248430		4.67-4.83	15	M5 x 0,80	7	7.5	18.2 x 13 x 13.5
108431		4.8	14	T5 Stud	10.5	12.5	34 x 12 x 34.8
054177		4.8-8	14	T5 Stud	6.8-9.9	12	28.5 x 10 x 24.5
223352		5	13.75	M5 x 0,80	5.5	7	8.7 x 10 x 13.75
250534		5.03-5.23	22;17	M6 x 1,00	7.6	11.4	24 x 18 x 17

# TUBE HOLDER



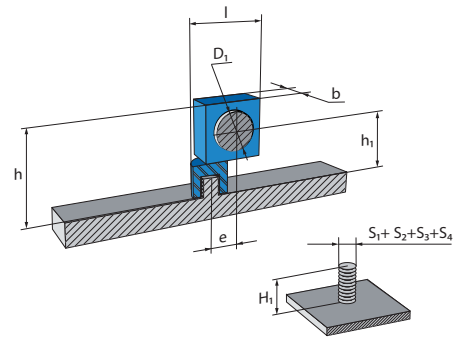
## 1 HOUSING - STUD MOUNT WITH OFF-SET - THREADED STUD

All dimensions in mm / Other dimensions and variants on request.

Ref.	Design	D1	H1	S	h1	e	l x b x h
247531		5.19-5.28		M8 x 1,25	7.6	9	23.9 x 18.5 x 17
235802		5.19-5.28	9	M8 x 1,25	18	9	17 x 18.6 x 23.9
249569		5.2	7.75	T5 Stud	7.75	7.5	19.5 x 17 x 15.5
215093		5.9-6.1		M6 x 1,00	8	13	29 x 29 x 24.3
241494		6	14	T5 Stud	5.2	7.7	17.7 x 9 x 12.5
055999		6-8	10-30	M8 x 1,25	7.5-8.5	15	29.75 x 16 x 18
246100		6-12	9-19	M5 x 0,80	30.9	15.3	35.9 x 18 x 41
237879		6-13	16-31.8	M6 x 1,00	8-12.5	15.6	38 x 16 x 31.2
244964		7-16	9-18	T5 Stud	10	14	34 x 14 x 20-21
232302		8	14.2	T5 Stud	8	11	27.5 x 15 x 15
210441		8	14.8	T5 Stud	14.3	15.5	35.24 x 13 x 25.1

# TUBE HOLDER

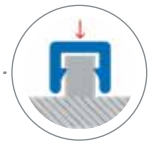
## 1 HOUSING - STUD MOUNT WITH OFF-SET - THREADED STUD



All dimensions in mm / Other dimensions and variants on request.

Ref.	Design	D1	H1	S	h1	e	l x b x h
248178		8	15	M6 x 1,00	10.9	13.5	27.1 x 10 x 17
249561		8-11	14	T5 Stud	7	12	36.4 x 9.7 x 21.9
230118		8.15-8.75	15	T5 Stud	7.5	11	23.5 x 15 x 17.5
211341		8.8-15	21.5	M6 x 1,00	17	17	45.5 x 22 x 25
219791		9.8-10.1	18	M6 x 1,00	9	14	31.5 x 10 x 22.55
206941		9.9-10.1	18	M6 x 1,00	9	12.5	29.5 x 10 x 21.5
019599		10	14.2	T5 Stud	9	11	28 x 15 x 15
204441		10	14.2	T5 Stud	9	11	35.5 x 15 x 17.5
152488		10	14.2	T5 Stud	9.7	12	27.5 x 10 x 32.9

# TUBE HOLDER



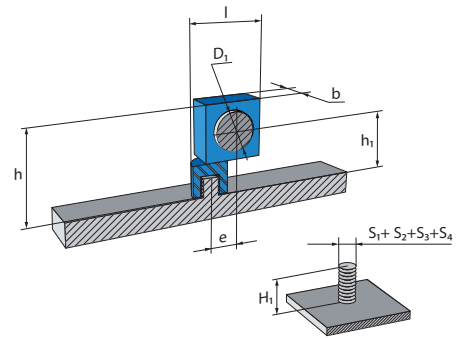
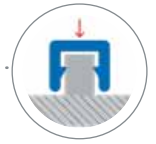
## 1 HOUSING - STUD MOUNT WITH OFF-SET - THREADED STUD

All dimensions in mm / Other dimensions and variants on request.

Ref.	Design	D1	H1	S	h1	e	l x b x h
250103		11.8-12.2	14	T5 Stud	11	14	33.5 x 18 x 30
056081		12-16	18	M6 x 1,00	22.35	33.4	64.42 x 38 x 33.2
056870		12.5-14	16.2	T5 Stud	22.3	10	36 x 30 x 31.8
235353		12.7	20	T5 Stud	16	13.7	32.7 x 12 x 28.2
018368		14	9-16	T5 Stud	8.35	10.9	26 x 15 x 19.8
018371		15	9-16	T5 Stud	9.3	11.85	28 x 20 x 22
017621		15	20	T5 Stud	20	17.5	35 x 12 x 33.5
070042		16	17	T5 Stud	17	15.5	39.25 x 15 x 50
213539		16.5-17.5	15	M6 x 1,00	10	16	36 x 10 x 21.2
020714		18	14.2-18.5	T5 Stud	13.5	16	37 x 12 x 25
237862		21	14.7	M6 x 1,00		15.5	27.5 x 20 x 47

# TUBE HOLDER

## 1 HOUSING - STUD MOUNT WITH OFF-SET - THREADED STUD

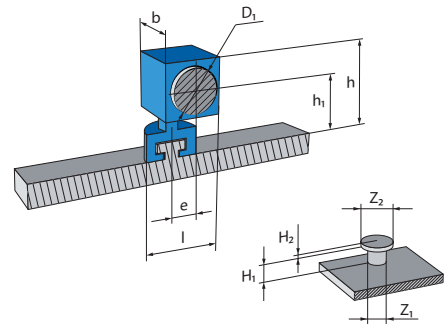


All dimensions in mm / Other dimensions and variants on request.



Ref.	Design	D1	H1	S	h1	e	l x b x h
242621		21	16	M6 x 1,00		46.2	103 x 57 x 26
055363		21-23.5	14.2	T5 Stud	21.5	17	35 x 12 x 35
219570		21.5-23	16-17.5	M6 x 1,00	18.5-20	13.8-14.8	30 x 12.5-13.5 x 35
020715		22.6-23.4	14.2	T5 Stud	16	18	36.55 x 20 x 29.3
019274		23	16	T5 Stud	15.5	16	36.2 x 15 x 31
019195		31-31.8	14.2-16	T5 Stud	20.3	20.5	50 x 20 x 38
215348		8;5	16	M6 x 1,00	10.5	13.4	27.1 x 10 x 17.87

# TUBE HOLDER

## 1 HOUSING - STUD MOUNT WITH OFF-SET - T-SHAPE STUD

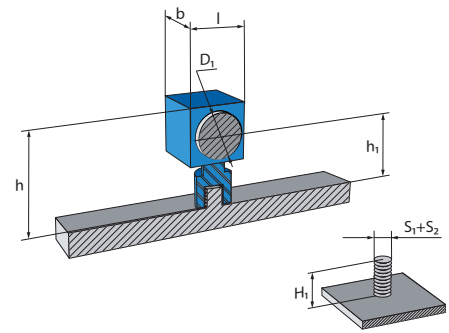


All dimensions in mm / Other dimensions and variants on request.

Ref.	Design	D1	H1	Z1	H2	Z2	h1	e	l x b x h
244917		7.9-10.2	1.4-1.5	4-4.1	1.6-1.7	6.9-7	8	0	15-16 x 15 x 18.2
055460		13-14	2	3	2	5.5	9.8	20	50 x 18.5 x 17.6

# TUBE HOLDER

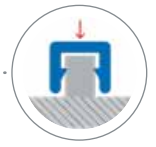
## 1 HOUSING - THREADED STUD MOUNT



All dimensions in mm / Other dimensions and variants on request.

Ref.	Design	D1	H1	S	h1	l x b x h
204657		2-8.3	12	T5 Stud	20.8	32.64 x 39 x 29.6
233811		4.75-10	20	M6 x 1,00	28.5-29.5	19.5-20.5 x 31.5-32.5 x 39.6-41.7
108447		4.8	14	T5 Stud	21	30 x 30 x 45
020015		5	14.2	T5 Stud	19.5	
164731		5.19-5.28	15.5	M5 x 0,80	7.8	19.5 x 17 x 17
233232		8	14	T5 Stud	23.9	21.8 x 21 x 36.7
019850		8	14.2	T5 Stud	19.5	
108445		8-11	14	T5 Stud	10.2	25.7 x 22 x 43.4

# TUBE HOLDER



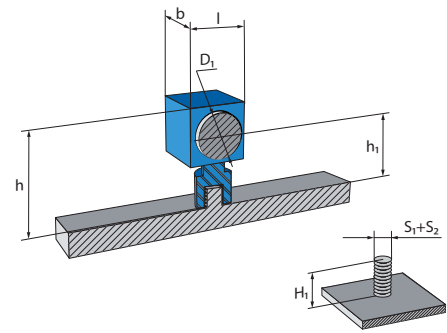
## 1 HOUSING - THREADED STUD MOUNT

All dimensions in mm / Other dimensions and variants on request.


Ref.	Design	D1	H1	S	h1	l x b x h
152322		13-20		T5 Stud	19.4	50.6 x 10 x 33.5
257073		14-15	12	M6 x 1,00	31.65	25 x 15 x 45
201519		15-22	12-20	T5 Stud	12	63.89 x 24 x 60.8
232555		16.5-18.5	15	T5 Stud	29.6	34.6 x 12 x 61
255177		18.75-19.25	12		26	24 x 11.5-12.5 x 41.1
057389		20	12-14	M6 x 1,00 + T5 Stud	16.5	30 x 30 x 43.5
253400		22-24	14.2	T5 Stud	40	33 x 20 x 55
241830		25.1-25.9	12	M6 x 1,00	36.7	45 x 20 x 72.3
055390		25.5-26.5	14.2	T5 Stud	19.3	30 x 28 x 60
243234		30-41	14	T5 Stud	33-38.5	67.9 x 16 x 82.9
151628		42.1		M5 x 0,80	31.7	44 x 20 x 62.8

# TUBE HOLDER

## 1 HOUSING - THREADED STUD MOUNT

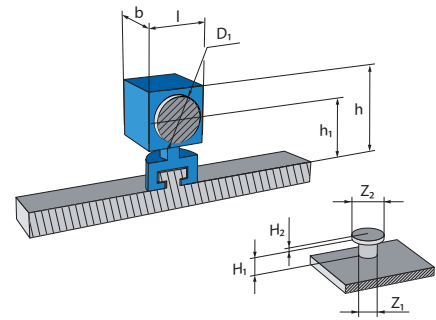


All dimensions in mm / Other dimensions and variants on request.

Ref.	Design	D1	H1	S	h1	l x b x h
245214		43	12	M6 x 1,00 + M6 x 1,00	46	55 x 16 x 70

# TUBE HOLDER

## 1 HOUSING - T-SHAPE STUD MOUNT

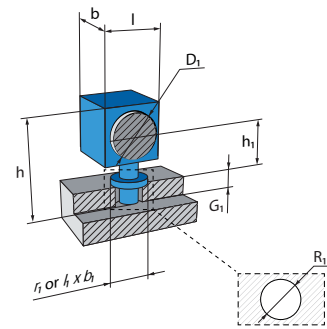


All dimensions in mm / Other dimensions and variants on request.

Ref.	Design	D1	H1	Z1	H2	Z2	h1	l x b x h
014050		4.75	2.6	2.2	2.05	7	8	10 x 12 x 13.5

# TUBE HOLDER

## 1 HOUSING - CAVITY MOUNT - BLIND ROUND HOLE

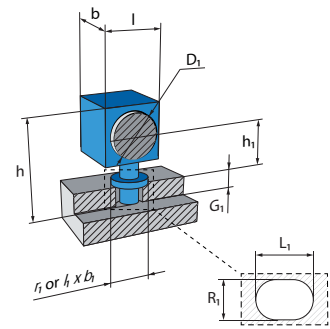


All dimensions in mm / Other dimensions and variants on request.

Ref.	Design	D1	R1	G1	r1 or l1 x b1	h1	l x b x h
208175		3.9-4.1	3.9-4.1	11 min	4 x 2.5	2.9	7.8 x 9 x 18
013399		3.9-4.1	3.9-4.1	11.5 min	4 x 2.5	2.7	6.6 x 9 x 18
232221		11.5-13	8.2-9	10 min	12 x 24	17	18 x 10 x 33.5
224153		14-20	6-6.1	10 min	17 x 15	15.7	47 x 15 x 57.5
232220		16-18	8.2-9	10 min	12 x 24	17	23 x 12 x 38
240734		17	5		10	29.3	35 x 20 x 68

# TUBE HOLDER

## 1 HOUSING - CAVITY MOUNT - BLIND OBLONG HOLE

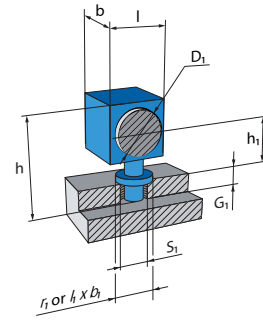


All dimensions in mm / Other dimensions and variants on request.

Ref.	Design	D1	L1 x R1	G1	r1 or l1 x b1	h1	l x b x h
218355		8-12	11.8 x 5.8	10-20	5.9 x 12.5	11.38-12.25	22.62 x 23 x 40.01
214993		13-15	11.75-11.85 x 5.75-5.85	10	24.26 x 19	19.9	31.25 x 19 x 37.77
222020		14.5	11.8 x 5.8	10-99	24 x 19	20.4	29.75 x 19 x 50.76

# TUBE HOLDER

## 1 HOUSING - CAVITY MOUNT - THREADED HOLE



All dimensions in mm / Other dimensions and variants on request.







Ref.	Design	D1	G1	S1	r1 or l1 x b1	h1	l x b x h
055863		3-13	15-999	M10 x 1,50	15	14.1	23 x 20 x 58.25
055794		4-12	10-99	M6 x 1,00	10	10-16	35 x 20 x 40.5
233737		4.3	14 min	M5 x 0,80	10	12.5	10 x 10 x 40.35
210512		4.3-5.2	10-100	M6 x 1,00	16	13.9	
100667		4.5-6	10	M8 x 1,25	19.2 x 16.8	11.7-12.5	16.8 x 16.8 x 25.7
237557		5	9.5	M6 x 1,00	12	7.3	12.8 x 12 x 22.8
245612		5.5-7	10	M8 x 1,25	20 x 16.8	12.6	28.7 x 16.8 x 20
204077		7.5-9	10	M8 x 1,25	16.8 x 19.2	13.3-14.1	16.8 x 19.2 x 29.3

# TUBE HOLDER



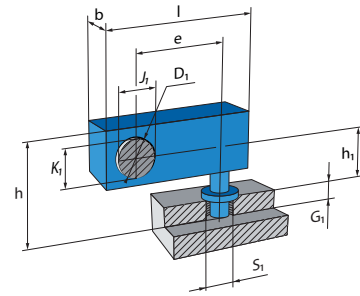
## 1 HOUSING - CAVITY MOUNT - THREADED HOLE

All dimensions in mm / Other dimensions and variants on request.

Ref.	Design	D1	G1	S1	r1 or l1 x b1	h1	l x b x h
018092		8	10-100	M6 x 1,00	12	7	16.9 x 12 x 22.9
015330		8	11-100	M5 x 0,80	12	6	13.25 x 12 x 20.85
016187		8-9.6	10-100	M6 x 1,00	12	7	14.5 x 12 x 22.75
245613		9.5-10.5	11	M8 x 1,25	19.1 x 16.8	14.25	19.3 x 16.8 x 31
225760		10.5-12.5	10	M8 x 1,25	16.8 x 19.2	14.7-15.7	23.2 x 19.2 x 34
201621		20-25	10	M8 x 1,25	19.2 x 16.8	23-25.5	44 x 16.8 x 48

# TUBE HOLDER

1 HOUSING - CAVITY MOUNT - THREADED HOLE WITH OFF-SET

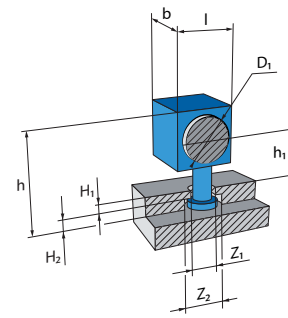


All dimensions in mm / Other dimensions and variants on request.


Ref.	Design	D1	G1	S1	h1	e	l x b x h
017584		6	12-100	M6 x 1,00	10	10	20.5 x 12 x 24.5
238996		8.8	12 min	M6 x 1,00	0	24.2	42 x 16 x 26

# TUBE HOLDER

1 HOUSING - CAVITY MOUNT - T-SHAPE CAVITY

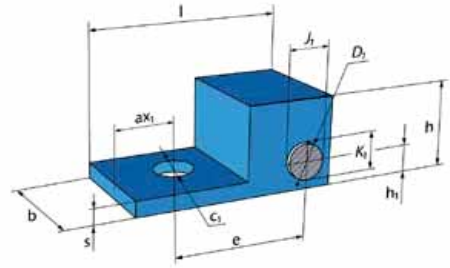


All dimensions in mm / Other dimensions and variants on request.

Ref.	Design	D1	H2	Z2	l x b x h
055967		10.5	4.4	16-16.4	19 x 5.4 x 29.45

# TUBE HOLDER

1 HOUSING - MOUNTING WITH OTHER ELEMENTS WITH OFF-SET - 1 HOLE



All dimensions in mm / Other dimensions and variants on request.

Ref.	Design	D1	J1 x K1	c1	e	ax1	h1	s	l x b x h
070366		3.5-3.8		9.75	21	8	7		37.8 x 15 x 27
131298		4.4		4.2	11.5	13.7	0.2	1	28 x 9 x 8
070367		4.5-5.05		9.75	21	8	7	1.5	37.8 x 15 x 27
017167		4.65-4.85		8.2	15	9.2	5.5	0.6	28.5 x 16 x 20.5
208075		5-5.5		6.55	13.4	6.7	7.5	0.4	23.4 x 12 x 10.8
212068		6-12		8.5	53	11	38.5-41.5	1.5	80.5 x 20 x 57.9
019772		8-9		8.4	30	8	4.5	0.5	47.1 x 12.75 x 9.5
052544		9-10		5.5	15	15	4.5-5	0.6	33.4 x 20 x 11.15

# TUBE HOLDER

## 1 HOUSING - MOUNTING WITH OTHER ELEMENTS WITH OFF-SET - 1 HOLE

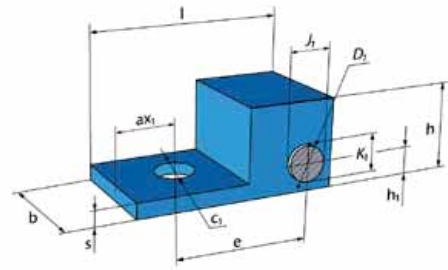


All dimensions in mm / Other dimensions and variants on request.

Ref.	Design	D1	J1 x K1	c1	e	ax1	h1	s	l x b x h
224558		9.5		5	19	7.5	7	3	26 x 12 x 15
227376		10		6.5	27.2	13	19.4	0.4	46.7 x 18 x 26.6
015841		10-10.5		9.7	20.6	10	5.8	0.8	36.4 x 20 x 12.4
209634		11.2		14.5	39.6	14	9.4	0.3	85.3 x 25 x 13.9
052540		12-13		5.5	15.2	12		0.6	36 x 20 x 12.9
222398		13-14		6.5	25	18	9.5	0.7	50 x 19.2 x 44
054506		15-17		8.5	34	10	42	1	16.5 x 15 x 53.4
214247		16		12.5	58	15	72.8	3	67.7 x 86 x 94.4
054116		17-19		8.5	19.5	9.2	5.7	0.6	60 x 20 x 20
225330		17-20		6.4	2	9	47	1	64.5 x 34.75 x 42.5
219649		18		6	36	10	26.4	4	69.3 x 27.9 x 51.3

# TUBE HOLDER

1 HOUSING - MOUNTING WITH OTHER ELEMENTS WITH OFF-SET - 1 HOLE

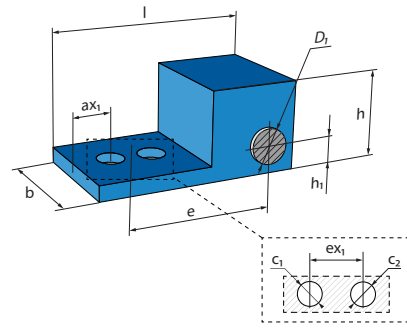


All dimensions in mm / Other dimensions and variants on request.

Ref.	Design	D1	J1 x K1	c1	e	ax1	h1	s	l x b x h
221035		18	18.7 x 18.7	6.4-6.6	25	19.6	12	0.7	52 x 18 x 46.7
054721		22-24		8.5	33.5	9.9	11	0.5	22 x 15 x 54.4
254207		27		6.5	45.75	8	33.12	7	70.5 x 16 x 58.48
151867		28		8.5	41	40-42	15	0.8	67 x 20.1 x 28.7

# TUBE HOLDER

1 HOUSING - MOUNTING WITH OTHER ELEMENTS WITH OFF-SET - 2 HOLES

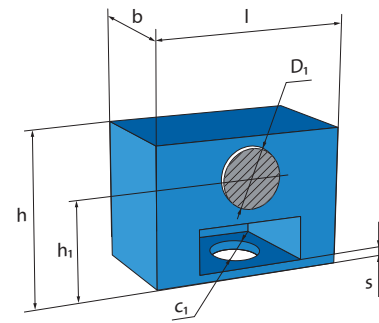


All dimensions in mm / Other dimensions and variants on request.

Ref.	Design	D1	h1	c1	c2	ax1	ex1	l x b x h
243744		67.5-73	47.4	5.2	5.2	15.75	14	147 x 54.75 x 100

# TUBE HOLDER

## 1 HOUSING - MOUNTING WITH OTHER ELEMENTS - ROUND



All dimensions in mm / Other dimensions and variants on request.

Ref.	Design	D1	h1	c1	s	l x b x h
052466		9-10	6.5	3.7	0.6	15 x 10 x 12.5
054436		10-12	8	3.5	0.4	11 x 20 x 16
054404		12-16	9	4.3	0.6	16.88 x 20 x 19.8
018331		13	11	4.2	0.8	15.4 x 16 x 18.5
051964		13-16	9	5	0.6	12.5 x 20 x 19.7
052652		13-16	9	5.3	0.4	15 x 20 x 20
054802		16-20	30	5	1	18 x 20 x 42
051963		17-20	11	5.3	0.6	20 x 15 x 23

# TUBE HOLDER



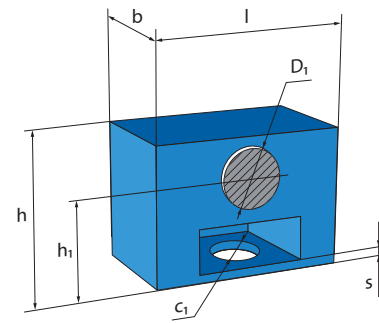
## 1 HOUSING - MOUNTING WITH OTHER ELEMENTS - ROUND

All dimensions in mm / Other dimensions and variants on request.

Ref.	Design	D1	h1	c1	s	l x b x h
055216		21-25	13	4.6	0.6	22 x 20 x 27
054631		21-25	13	5.1	0.6	18 x 20 x 27
051955		21-25	13	5.3	0.6	22 x 20 x 27
013311		24	30	6.4-6.6		36 x 14 x 42.45
052244		26-30	16	5.3	0.6	27-31 x 20 x 32.6
249027		31-36	18.2	3.1	0.6	31.2 x 20 x 38.5
052245		31-36	18.2	5.1	0.6	30 x 20 x 38.5
053833		31-36	18.5-22	6	1	33 x 17.5 x 41
054500		31-36	20.5	6	0.8	33 x 11 x 37
054136		35-40	22	5.2	1	33 x 17.5 x 44.9
235624		43-50	30	6.3	0.8	25 x 20 x 56.2

# TUBE HOLDER

## 1 HOUSING - MOUNTING WITH OTHER ELEMENTS - ROUND

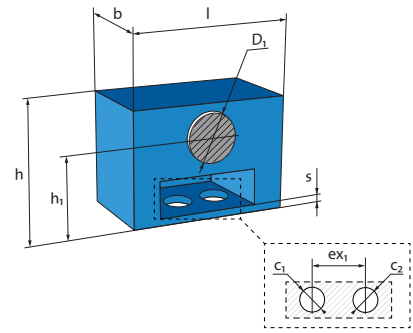


All dimensions in mm / Other dimensions and variants on request.

Ref.	Design	D1	h1	c1	s	l x b x h
053901		43-50	31.2	6.3	1	40 x 20 x 56
237956		48	41.5	6.5	4.1	119 x 35 x 101.1
232609		49.8	41.82	5.32	3-3.1	71.5 x 19 x 79
053934		55-58	41.5	6.3	1	55 x 17.5 x 70
054308		72-74	42	6.3	1	67.5 x 20 x 72

# TUBE HOLDER

1 HOUSING - MULTIPLE HOLES

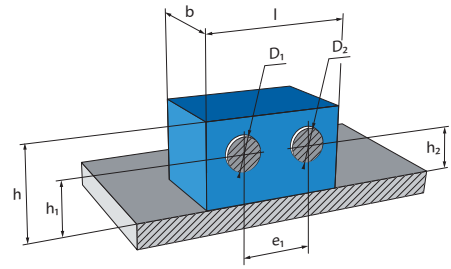
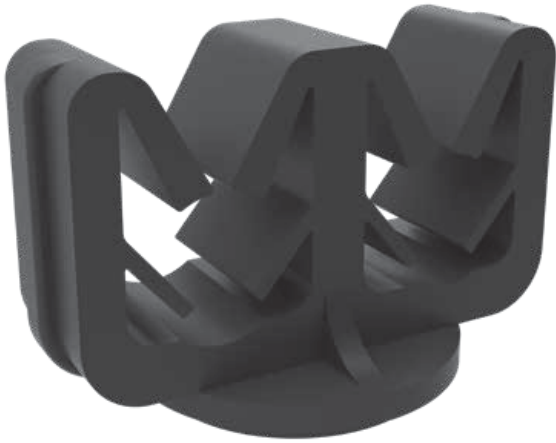


All dimensions in mm / Other dimensions and variants on request.

Ref.	Design	D1	ex1	c1	c2	s	ex1	l x b x h
014304		8-8.5	8	3.3	3.3	0.4	8	16.8 x 16.5 x 17.5

# TUBE HOLDER

## 2 HOUSINGS - SURFACE MOUNT

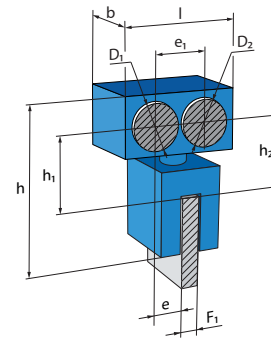


All dimensions in mm / Other dimensions and variants on request.

Ref.	Design	D1	D2	h1	h2	e1	l x b x h
055096		8-10	8-10	8-9	8-9	16.1	35.9 x 24 x 23.2
241797		8 / 12	12;8	9 / 10	9 / 10	19	42 x 10 x 21.5

# TUBE HOLDER

## 2 HOUSINGS - EDGE MOUNT

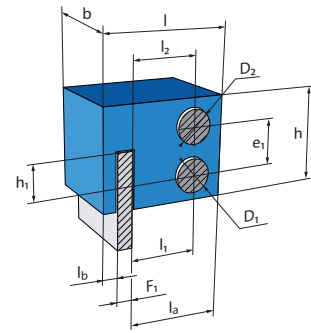


All dimensions in mm / Other dimensions and variants on request.

Ref.	Design	D1	D2	F1	h1	h2	e1	e	l x b x h
019425		3.9-4.1	7.9-8.1	2.3-2.5	7.4	4.3	4.8		9.8 x 19 x 19.3
131102		4.8-8	4.8-8	4-7	7-8.5	7-8.5	15		34.9 x 34.5 x 36.5
226818		4.8-10	4.8-10	3-4	6.5	6.5	20		45 x 21.1 x 34.9
202525		6-6.5	8-9	1-3.5	5	5	11	10.3	21.87 x 13 x 25
209316		6-10	6-10	4.5-5.5			15.7		35 x 30 x 36.2
233094		10-11.5	6-6.5	1-3	17	17	18.45	0	33.59 x 16 x 40.26
232210		11-13	6-6.5	1-3	17.2	17.2	19	17.5-18.5	25.5 x 16 x 46.55

# TUBE HOLDER

2 HOUSINGS - EDGE MOUNT - SAME SIDE

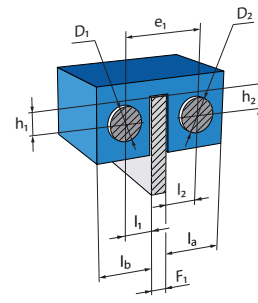


All dimensions in mm / Other dimensions and variants on request.

Ref.	Design	D1	F1	D2	la	lb	l1	l2	h1	e1	l x b x h
204690		6.5	1.3	6.5	13.2	3.73	8.77	2.43	8.77	3.03	17.4 x 16 x 16.93
222745		8.2	1-2	8.2	11.4-12.4	0.5	13.8	13.8		13.4	37.2 x 15.9 x 18.9
018722		9.9-10.1	0.6-1.8	9.9-10.1	19.5	1.5	9.8	5.4		18	22.1 x 30 x 32.1
220748		14.5	1.9-2.1	14.5						22	26 x 20 x 50.1
200335		14.5	1.9-2.1	14.5					11.25	22	26 x 20 x 50

# TUBE HOLDER

2 HOUSINGS - EDGE MOUNT - OPPOSITE SIDES

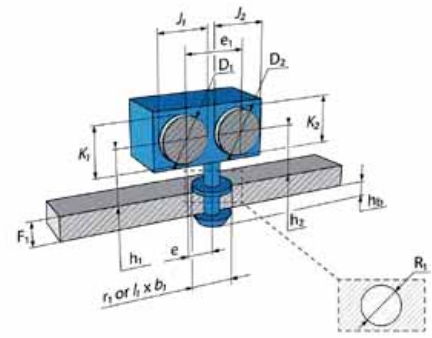


All dimensions in mm / Other dimensions and variants on request.

Ref.	Design	D1	F1	D2	la	lb	h1	h2	e1
016722		4.9-5.1	0.5-1.75	4.4-4.6	6	5.3	2.9	10.5	7
018732		5-7	1-2.2	8-11	12.6	9.5	6	9	15
018718		10	0.6-1.8	10	10.6	10.6	4.8	7.9	12

# TUBE HOLDER

## 2 HOUSINGS - ROUND HOLE MOUNT



All dimensions in mm / Other dimensions and variants on request.

Ref.	Design	D1	D2	R1	F1	r1 or l1 x b1	h1	h2	e1	e	hb
053899		4.75-5.25	10-11	6.5	1.5-2		9.3	9.3	16.5	10	8
064867		4.8	12	6.5-6.7	5-7		4.5	8	19	11	10.5
064298		4.8-6	4.8-6	6.7	0.5-3		7.3	7.3	12.4	6.2	4.5-7
152845		4.8-8	4.8-8	6.6	2-5.5		7	8.5	15.5	7.75	2.5-5.7
064262		4.8-10	4.8-10	6.7	0.5-2.5		6.6-10.4	6.6-10.4	20	10	7.5
133059		4.8-10	10-15	6.6-6.8	0.5-4	6.7	6.6-9.2	11.7-14.2	20	10	7.75
016037		5	5	6.5-6.7	1-2		4.5	4.5	14	7	4-5
227249		5-5.2	5-5.2	8	0.7-2		5.1	5.1	14.6	7.3	6

# TUBE HOLDER

## 2 HOUSINGS - ROUND HOLE MOUNT

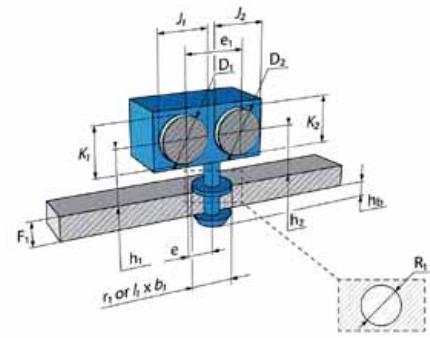


All dimensions in mm / Other dimensions and variants on request.


Ref.	Design	D1	D2	R1	F1	r1 or l1 x b1	h1	h2	e1	e	hb
211353		5.7	14 min	8.08-8.3	0.7-1.2		12	16	36.6	19.8	6.9
063184		6	6	6.5-6.7	0.5-3		10	10	14	7	6
064569		6-10	6-10	6.7	0.5-4		8.7-10.7	8.7-10.7	16.4	8.2	7.5
055574		6.5	6.5	6.5	0.7-4	6.4	5.5	5.5	10	5	5
209843		9	9	7.55 min	3 max		23.6	23.6	20	10	5 min
251766		12	8	13	4-9	13.3	8.1	6	25.5	13	5-10
155090		12.7	15.9	8			14.2	35.7			
055297		13-15	13-15	6.5	0.4-4		12	12	19	9.5	7
055380		13.5-15.3	13.5-15.3	6.5	0.5-4		11	11	18	9	7.5
019519		14.5	8	6.5-6.7	0.8-6	20	12.3	12.3	19	11	4.5-9.7
244026		16.2	16.2	6.5-6.7	3.5-3.7	6.3-6.5	16.7	16.7	21.5-23	18.2	10.5

# TUBE HOLDER

## 2 HOUSINGS - ROUND HOLE MOUNT

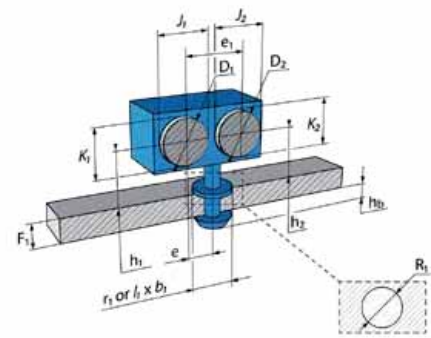


All dimensions in mm / Other dimensions and variants on request.

Ref.	Design	D1	D2	R1	F1	r1 or l1 x b1	h1	h2	e1	e	hb
247857		30-36	13-15	6.5-6.8	0.8-6	20	30.4	30.4		36	4.5-9.7

# TUBE HOLDER

## 2 HOUSINGS - ROUND HOLE MOUNT - ANCHOR

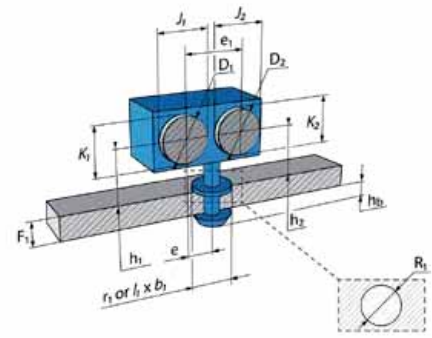


All dimensions in mm / Other dimensions and variants on request.

Ref.	Design	D1	D2	R1	F1	r1 or l1 x b1	h1	h2	e1	e	hb
019148			13	6.5-6.7	0.7-1.5	18	10.25	10.25		13.5	5.75
015229		6.2	6.2	6-6.2	0.7-0.9	16	6.6	6.6	11.5	5.75	6.1
213001		7	4.5-7	6.5-6.7	0.7-0.9	15	9.8	6.3		8.5	6.8
016049		7.5-7.8	7.5-7.8	6-6.2	0.7-2	20	9	9	12	6	6.8
228700		8	8	6.5	0.5-3		15.5	25.5	26	26	6
235327		8	10	6.5	4	6-6.3	11	10	11.25	6	10.24
016330		8-8.2	8-8.2	7-7.2	0.9-1.6	14 x 15	8.1	8.1	8.5	4.25	4.5
210039		8-15	3-7	6.5-6.7	0.5-0.8	16	8-11.5	13-15			5.5

# TUBE HOLDER

## 2 HOUSINGS - ROUND HOLE MOUNT - ANCHOR



All dimensions in mm / Other dimensions and variants on request.

Ref.	Design	D1	D2	R1	F1	r1 or l1 x b1	h1	h2	e1	e	hb
228013		8.3-8.5	8.3-8.5	7-7.5	1.8-2.2	17	11.6	11.6	16.8	36.3	7-7.4
224042		9.9	9.9	6.5	0.6-1		8	8	16	8	
241344		9.92-10.08	9.42-9.58	6.4-6.6	1.5-1.7		15.7	15.7	18.4	9.2	5.8
205070		10	8	6.7	0.7-2.5	21	17	13	13		6.5
232778		12-14	12-14	6.3-6.7	1.6-2	8.6 x 5.8	8.5-9.5	8.5-9.5	24		9
017946		13	33.5	8-8.2	2-2.5	16.5	17	28	27	15	8.5
224746		14	14	20	2		10	23	43	43	3
108519		16	10	8.08-8.3	1.5		15.8	15.8	20	10	6
017363		16-18	16-18	6.35-6.7	0.5-3	21	18	18	28	14	6.5

# TUBE HOLDER

## 2 HOUSINGS - ROUND HOLE MOUNT - ANCHOR

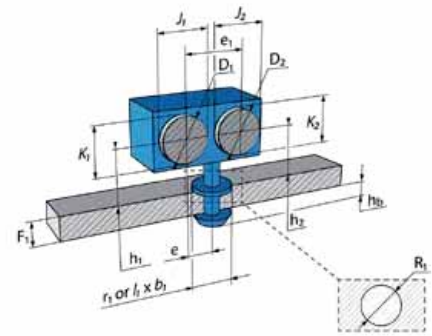


All dimensions in mm / Other dimensions and variants on request.

Ref.	Design	D1	D2	R1	F1	r1 or l1 x b1	h1	h2	e1	e	hb
018187		22	22	6.5-6.7	0.7-2.5	27	18.6	18.6	23	11.5	6.8

# TUBE HOLDER

## 2 HOUSINGS - ROUND HOLE MOUNT - FIR TREE



All dimensions in mm / Other dimensions and variants on request.

Ref.	Design	D1	D2	R1	F1	r1 or l1 x b1	h1	h2	e1	e	hb
251914		10;8	10;8	6.5-6.7	0.8-6	20	14.9	14.9	9.2	9.2	4.5-9.7
016608		4-6	4-6	6.5-6.7	0.8-4	16 x 10	5	5	8.5	4.25	5.3-8.5
225833		4.66-4.86	4.66-4.86	9-9.5	4.9-5.1	34.55 x 15	22.8	22.8	15	7.5	5.5
208840		4.8	12	10.2	5-8		7.1	10.6	19	8	8
250536		5.03-6.1	5.03-6.1	6.5-6.7	0.8-3.8	20	10.8	10.8	11	5.5	6-9
229022		5.19-5.28	5.19-5.28	6.1-6.6	1.25-1.85	7.5 x 7.5	7.6	7.6	5.25	10.5	10
220172		5.2	6	7.5	1.7		7.6	8.5	13.7	9	
128565		6-8	6-8	10.2	0.7-4	21	9	9	6.25	12.5	5.3-8.6

# TUBE HOLDER



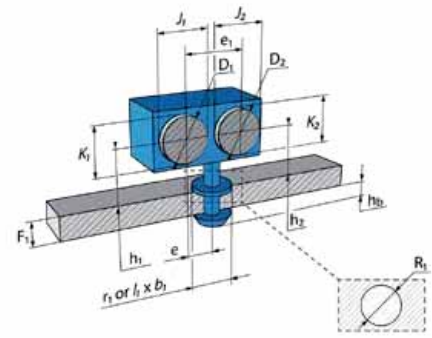
## 2 HOUSINGS - ROUND HOLE MOUNT - FIR TREE

All dimensions in mm / Other dimensions and variants on request.

Ref.	Design	D1	D2	R1	F1	r1 or l1 x b1	h1	h2	e1	e	hb
249393		6.5	3.5	7	13	31.3 x 12	25.19	5.13		8.34	13.69
246563		6.95-7.2	6.95-7.2	7.5	1-4	10.5	9.5	9.5	12	6	4.25
254924		7.75-8.25	7.75-8.25	6.3-6.7	0.6-4	18	9.18	9.18	9.69	4.85	
232342		8-10	8-10	10.2	1-6		7.5-10.85	7.5-10.85	14.5	7.25	11.65
209150		8-12.4	8-12.4	10.1-10.3	0.57-8	21	12.4-13.6	12.4-13.6	16.7	8.35	10
221367		8-12.7	9.77-10.07	8.7-9.2	1.45-1.95	10.5	10	11	25.8	15.8	17.3
129597		9-10.5	9-10.5	6.2-6.55	0.5-6	21	17.5	17.5	16	8	7.5-13
224254		9.5	13.1	6-6.4	2-6	16	14	14	20	10	4-10
164432		9.97-12.7	9.97-12.7	8.7-9.2	2.75-3.25	10.5	12.8	12.8	22.2	11.1	9
239525		9.97-12.7	9.97-12.7	8.7-9.2	2.75-3.25	10.5 x 10.5	12.8	12.8	11.1	22.2	12
249568		14.7	9.5-12.7	8.7-9.2	1.55-1.85		12.4	12.4	20.7	10.37	15.85-16.15

# TUBE HOLDER

## 2 HOUSINGS - ROUND HOLE MOUNT - FIR TREE

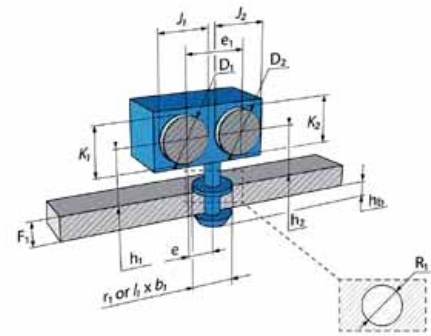


All dimensions in mm / Other dimensions and variants on request.

Ref.	Design	D1	D2	R1	F1	r1 or l1 x b1	h1	h2	e1	e	hb
238015		16	13	6.5	0.6-5	20	17	17	20	10	11.2
255175		18-22	18-22	6.5-6.7	0.7-3.5	39 x 10	16.5	16.5	39	19.5	7.7-10.5
218288		18-24	38-45	16	8.3		34.9	20	58	58	8
246098		23.2-24.8	23.2-24.8	6.3-6.7	0.6-8	7.3-7.7	19.9	19.9	32	16	14.95-15.95
245136		25	25	6.5-6.7	0.8-6	20	19.7	19.7	30	15	7.5-12.7
221582		25-27	22-24	6.2-6.4	2.4-2.6	16	26.5	68.5	42	42	12.7-12.9
227292		28	5	6.5-6.7	3	7.7-8.1	18	15	35.7-36.7	0.38	10.2
222881		28-36	5.15	6.5	0.8-4	23 x 9	18.9	18.4	25.2	0	18

# TUBE HOLDER

## 2 HOUSINGS - ROUND HOLE MOUNT - SWIVELING

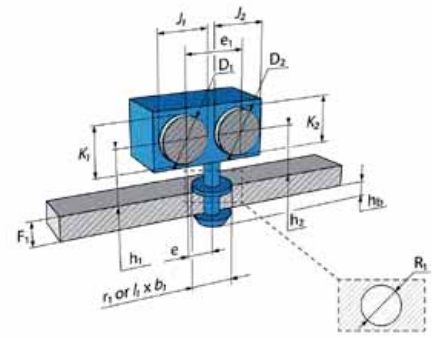


All dimensions in mm / Other dimensions and variants on request.

Ref.	Design	D1	D2	R1	F1	r1 or l1 x b1	h1	h2	e1	e	hb
213231		6-10	6-6.5	6.5-6.7	0.8-6	20.5	18	18	19.1	0	3-8
206208		7.5-9	7.5-9	8.08-8.3	1.5-6		10.7-11.5	10.7-11.5	19	9.5	9-13.5
209873		7.5-9	15.5-17.5	8.08-8.3	0.7-2.5	21	20	42	22	0	6.5
212226		8	7.5-9	8-8.3	1.5-8	21	33.4	14.8	18	0	7.1-13.6
221562		8	8	6.58-6.8	2-3	21	31.7	17.4	18	0	6.5
231127		8	21-23	8-8.3	1.5-6		19.6-20.6	20.5	25.5	0	9-13.5
061573		8-9	8-9	6.35-6.7	0.5-3	21	16.7	16.7	12	6	6.5
260293		8-9	8-9	6.5-6.7	0.6-6	18	14.05	14.05	12	6	6-11

# TUBE HOLDER

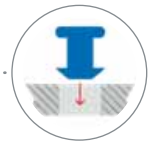
## 2 HOUSINGS - ROUND HOLE MOUNT - SWIVELING



All dimensions in mm / Other dimensions and variants on request.

Ref.	Design	D1	D2	R1	F1	r1 or l1 x b1	h1	h2	e1	e	hb
248852		8-9	8-9	7.8-8.2	0.8-8	20	14.3	14.3	12	6	4-15
245344		9-10.5	9-10.5	5-5.2	1.5-3	16	17.5	17.5	16	8	5.9-7.4
239474		10-11.5	4.3-5.2	6.5	0.8-6	20	17.9		41.6		
235407		10-11.5	8-9	6.5-6.7	0.8-6	16	17.1	17.4	19.6	0	6.75-11.95
251839		10-16	11-13	7.8-8.2	0.8-6	20	19.8	19.8	24.8		6.5-11.7
260957		11-13	10-12	6.3-6.7	0.5-3		18.5	41.5	23	0	7
200932		13-14	8-9	6.5-6.7	0.8-6	20	19.6	19.6	23	0	4-10
216347		13-14	16-18	6.5	0.8-6	20	12	12	20	10	
249526		13-14	16-18	7.8-8.2	0.8-8	20	14.8	14.8	20	10	5-12.2

# TUBE HOLDER



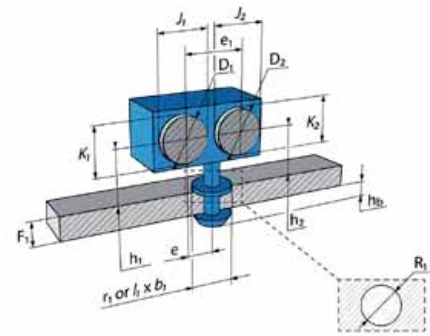
## 2 HOUSINGS - ROUND HOLE MOUNT - SWIVELING

All dimensions in mm / Other dimensions and variants on request.

Ref.	Design	D1	D2	R1	F1	r1 or l1 x b1	h1	h2	e1	e	hb
061163		13-15	13-15	6.35-6.7	0.5-3	21	17.2	17.2	19	9.5	6.5
219042		13-15	13-15	7.8-8.2	0.6-8	20	15.4	15.4	19	9.5	12.5
190014		13.5	13.5	6.5	0.5-3	21	16.7	16.7	21	10.5	6.8
260870		13.5	13.5	6.5-6.7	0.6-6		14.1	14.1	21	10.5	7-12
229696		14.5	20-21.5	6.58-6.8	2-3	21		25.6-26.3		30.8	6.5
236432		16-24	18-20	6.3-6.7	0.8-6	16	24.3	24.3	31.9	0	12.7
240749		16-24	18-20	8	0.8-8	20	24.1	31.9			5-12.2
224449		20-21.5	14.5	6.58-6.8	1-2	21	24.5-25.2	23.5	29.8	30.8	6.5
231715		21-23	21-23	8-8.3	1.5-6	20	19-20.7	55-56.8	31-33	0	9-13.5
232746		21-23	21-23	9.08-9.3	1-7		19.5-21.5		31-33	0	7.5-13.5
216335		22-26.5	20-21.5	8.08-8.3	0.7-2.5	21	25	14.5	36	31.9	6.5

# TUBE HOLDER

## 2 HOUSINGS - ROUND HOLE MOUNT - SWIVELING

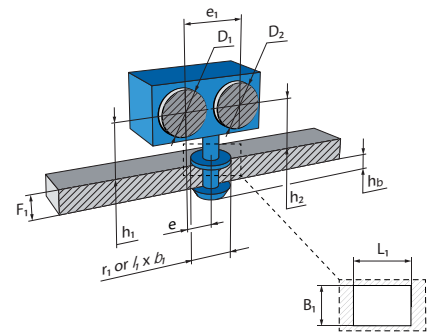


All dimensions in mm / Other dimensions and variants on request.

Ref.	Design	D1	D2	R1	F1	r1 or l1 x b1	h1	h2	e1	e	hb
061540		23-25	23-25	6.7	0.7-2		18.3	18.3	25	12.5	7
247662		23-30	11-13	6.5-6.8	0.8-6	20		30.3		33.2	4.5-9.7
223396		25-27	25-27	8	0.8-6	20	19.9	19.9	32	16	6-11
243715		25-32	15.5-17.5	8.08-8.3	0.7-2.5	21	54.3-57.8	19.9-20.9			6.5
220162		25.5	25.5	6.5	0.8-2	20	16.7	16.7	53.2	26.6	6.5
225851		25.5	25.5	6.5	0.8-6		16	16	53.4	26.7	

# TUBE HOLDER

## 2 HOUSINGS - RECTANGULAR HOLE MOUNT

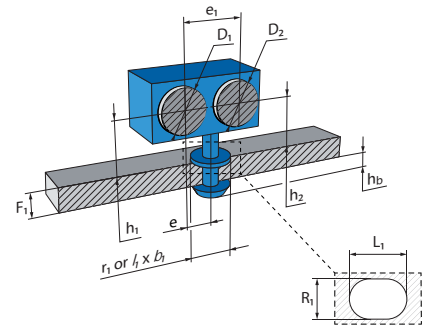


All dimensions in mm / Other dimensions and variants on request.

Ref.	Design	D1	D2	L1 x B1	F1	r1 or l1 x b1	h1	h2	hb	e1	e
229504		4-15	7	10.3-10.7 x 9.8-10.2	1-1.2	23 x 23			14	36.8	21.3
201353		10-14	16	8.2 x 6.2	0.7-2	20.5	14.8	14.8	6.1	20	10
245962		12.8-14	12.8-14	10-10.2 x 8-8.2	1.2-1.6		18	18	8.2	23	11.5
243564		14.9-15.1	14.9-15.1	6.8-7.2 x 5.8-6.5	1.3	22.4	12.5	34.5	7.2	0	22
205524		16	10	21 x 20	2	29	16	16	12	18	9
244792		26	26	12.2 x 6.2	0.7-1.5	8.8 x 12	12.5	12.5	6.5	32	16

# TUBE HOLDER

## 2 HOUSINGS - OBLONG HOLE MOUNT



All dimensions in mm / Other dimensions and variants on request.

Ref.	Design	D1	D2	L1 x R1	F1	h1	h2	r1 or l1 x b1	e	e1	hb
244793		4.8-5.25	6	12.05-12.3 x 6.05-6.3	2-2.5	9	13	20.6 x 16	7	10	2
017696		6.2	6.2	6.2-6.8 x 2.3-2.7		7.5	7.5		4.5	9	2.5
232420		8	8	12.1-12.3 x 6.1-6.3	5	16	36	22.5	16	19.3	6.6
057174		8-13	8-13	12.2 x 8.2	0.7-3	12.53-15.25	12.53-15.25	23 x 12	10.1	20.2	10.2
227210		10	14	12.2 x 6.2	2.5	10	10	12.1 x 5.9	6.9	12.54	
055075		10-12	10-12	12.2 x 6.2	1.5-3	11	11		7.5	15	2.5
055766		10-14	10-14	8.2 x 6.2	0.7-2	15.4	15.4	20.5	4.1	20	6.1
224266		11	8	12.2 x 6.2	2.5	8	8	12 x 22	11.5	20	9

# TUBE HOLDER

## 2 HOUSINGS - OBLONG HOLE MOUNT

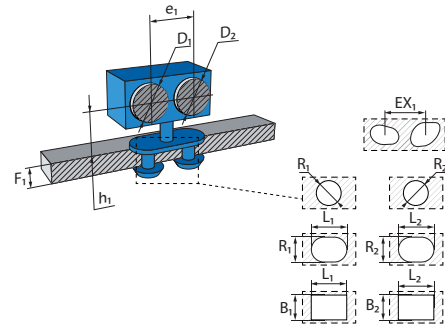
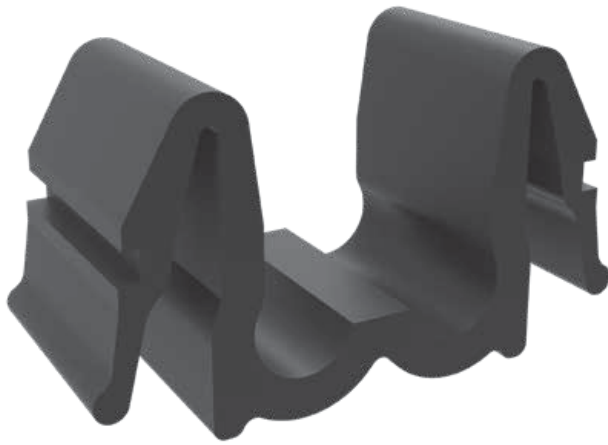


All dimensions in mm / Other dimensions and variants on request.

Ref.	Design	D1	D2	L1 x R1	F1	h1	h2	r1 or l1 x b1	e	e1	hb
065169		12.5-13.5	12.5-13.5	12.2 x 6.2	0.7-2.5	11	11		9	18	3
055169		13	13	12.2 x 6.2	0.7-2.5	11	11		9	18	5
055591		13.3-15.3	13.3-15.3	12.2 x 6.2	0.5-4	11	11		9	18	7.5
246370		14	8	12-12.3 x 6-6.3	0.7-3	11	9.5			14	4-6.7
216740		14.5	14.5	12.2-12.4 x 6.2-6.4	2.5	9	9		16	32	5.8
057293		16-17.5	10-11.5	12.2 x 8.2	0.8-1.5	18	18		15	30	4.5
057788		18.95-19.15	9.5-10	12.2 x 8.2	0.7-2.5	33.78	28.78		15	24.2	7
240404		23-25	23-25	12.1-12.3 x 6.1-6.3	0.6-3	22.7	55.7	22.4 x 16.4	0	33	2.7-5.1
250993		35	25	12 x 7	1.6-2.7	61	57.5	5.75	12.5	48.5	6

# TUBE HOLDER

2 HOUSINGS - HOLE MOUNT - MULTIPLE HOLES

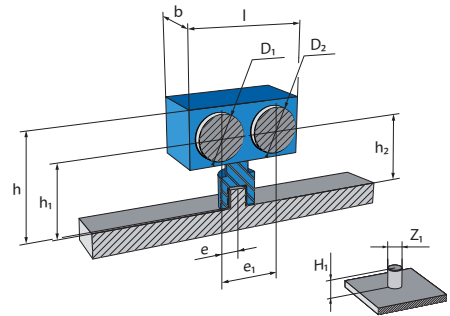


All dimensions in mm / Other dimensions and variants on request.


Ref.	Design	D1	R1	F1	D2	R2	h1	e1
014752		4.5		1.25	4.5		3.75	8
018400		13.5-15	6.3-6.7	2-2.8	13.5-15	6.3-6.7	13	25
244320		14.5	5.05-5.35	2-14.5	14.5	4.5	10.9	24.7-25.3
231204		15-21.5		2-2.2	7	6.7-7.3	18	23
019759		19-22	6.5-6.8	2.4-2.8	19-22	6.5-6.7		0

# TUBE HOLDER

2 HOUSINGS - ROUND STUD MOUNT

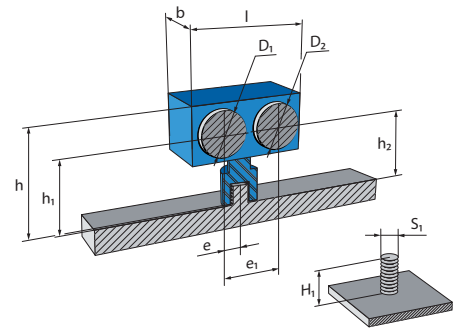


All dimensions in mm / Other dimensions and variants on request.

Ref.	Design	D1	D2	H1	Z1	h1	h2	e1	e	l x b x h
052429		4-6	4-6	12	3.55-3.8	2-3	2-3	11	22	19.7 x 20 x 6

# TUBE HOLDER

## 2 HOUSINGS - THREADED STUD MOUNT

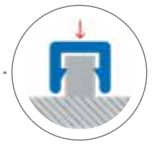


All dimensions in mm / Other dimensions and variants on request.

Ref.	Design	D1	D2	H1	S1	h1	h2	e1	e
019579		4.75	4.75	15	M6 x 1,00	7	7	15	7.5
019932		4.75	10	14.2	T5 Stud	9.3	9	42	26
213707		4.75	10	20	M6 x 1,00	10	10	12.9	12
129228		4.75-6	4.75-6		T5 Stud	7.4-8	7.4-8	18	9
014944		4.75-6	4.75-6	14.3	T5 Stud	7	7	15	7.5
055961		4.8	4.8		T5 Stud	7.3	7.3	18	9
054361		4.8	4.8	14	M5 x 0,80	5.5	5.5	15	7.5
108421		4.8	4.8	14	T5 Stud	10.5	10.5	25	12.5

# TUBE HOLDER

## 2 HOUSINGS - THREADED STUD MOUNT

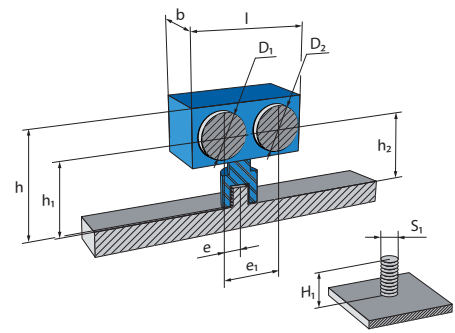


All dimensions in mm / Other dimensions and variants on request.

Ref.	Design	D1	D2	H1	S1	h1	h2	e1	e
054869		4.8-4.9	4.8-4.9	14	M5 x 0,80	13	13	22	11
054451		4.8-6	4.8-6	14	T5 Stud	7.3	7.3	18	9
237465		4.8-8	4.8-8	14-18	T5 Stud	9.7	9.7	12	23
222606		4.8-8	4.8-8	14.2	T5 Stud	6.9-8.5	6.9-8.5	16	11.7
054178		4.8-10	4.8-10	14-18	T5 Stud	9.6	2.9	26	7.3
207655		4.8 / 8	4.8 / 8		T5 Stud	11.5	11.5	25	12.5
201170		5-6	12.25	15	T5 Stud	8.5	11	26	10
252510		5.13 / 6	5.13;6	17;22	M6 x 1,00	7.6	7.6	24	12
219982		5.2	5.2	14.2	T5 Stud	15.6	15.6	15.6	7.8
249574		5.2	5.2	15	T5 Stud	7.6	7.6	15.6	7.8
152841		6	5		T5 Stud	7	7.5	15	9.2

# TUBE HOLDER

## 2 HOUSINGS - THREADED STUD MOUNT

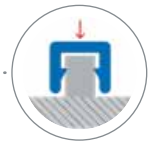


All dimensions in mm / Other dimensions and variants on request.

Ref.	Design	D1	D2	H1	S1	h1	h2	e1	e
235587		6-13	6-13	16-31.8	M6 x 1,00	8-12.5	8-12.5	31.2	15.6
200417		6-15	17-20	14	T5 Stud	19-23.5	24.5-26	25	15
015360		6.35	6.35	12	T5 Stud	7	7	17	8.5
056173		6.5	4.7-5.05	14-18	T5 Stud	7.5	10	8	16
246004		6.5-10	6.5-10	14	T5 Stud	7.5	7.5	26.7-27.3	13.05-13.65
249580		6.8	6.8		M8 x 1,25	8.5	8.5	12	10.7
164740		6.8	6.8	14.2	T5 Stud	16.5	16.5	16.4	8.2
238999		7.9-8.1	6.27-6.43	15	T5 Stud	11	13	32	17.5
219859		8	8	14	M6 x 1,00	8.5	8.5	19.5	9.8

# TUBE HOLDER

## 2 HOUSINGS - THREADED STUD MOUNT

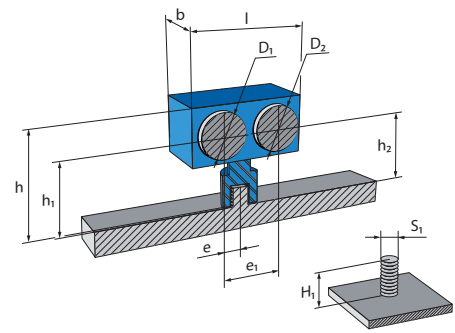
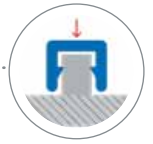


All dimensions in mm / Other dimensions and variants on request.

Ref.	Design	D1	D2	H1	S1	h1	h2	e1	e
055359		8	10	14	T5 Stud	7	8	10	10
210439		8	18	14.8	T5 Stud	23.8	28	19.8	9.8
015784		8	6;8	14.2	T5 Stud	18	16.5 / 18	20.5 / 19.5	10 / 11
019627		8-10	8-10	14.2	T5 Stud	11	11	19	9.5
055868		8-10	8-10	14;18	T5 Stud	29.5-30.5	29.5-30.5	36	18
231709		8-10.5	8.5	16	T5 Stud	28.1-29.5	29.1	20 / 26	
249220		8-11	5	14	T5 Stud	23.3	10	2.9-5.4	15.4-17.4
054488		8-14	4.8	14	T5 Stud	11	7.5	24.6	15.1
056080		8 / 10	8 / 10	14	T5 Stud	8.5	8.5	20	10
230241		8.17-8.73	9.8-10.4	15	T5 Stud	8.5	8.5	21.8	10
211231		8.5-10	10	16	T5 Stud	10.3	15.9	33.1	13.7

# TUBE HOLDER

## 2 HOUSINGS - THREADED STUD MOUNT

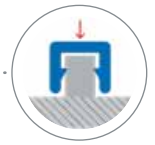


All dimensions in mm / Other dimensions and variants on request.

Ref.	Design	D1	D2	H1	S1	h1	h2	e1	e
235326		9.3-10.2	12	14.2	T5 Stud	9.5	9.5	32.5	18
014772		9.8	15.7	14.3	T5 Stud	8.5	11.5	32.5	18
234744		9.8-10.2	6.66-7.06	15	T5 Stud	11.2	9.2	24.4	12.1
230119		9.8-10.4	4.68-4.84		T5 Stud	9.2	9.2	22.9	10.6
234740		9.8-10.4	6.66-7.06	15	T5 Stud	11.2	9.2	24.4	12.1
236536		9.8-10.4	9.8-10.4	20	T5 Stud	14	14	34	17
201794		10	4.75	14.2	T5 Stud	9	9	20	10
020850		10	8	14.2	T5 Stud	10	10	25	12.5
243653		10	10	14	T5 Stud	7.8	13.4	33.1	13.7

# TUBE HOLDER

## 2 HOUSINGS - THREADED STUD MOUNT

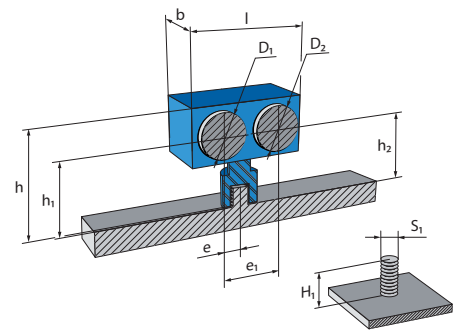


All dimensions in mm / Other dimensions and variants on request.

Ref.	Design	D1	D2	H1	S1	h1	h2	e1	e
243728		10	10	14	T5 Stud	12.4	12.4	32	16
243717		10	10	14	T5 Stud	12.8		33.1	13.7
017177		10	10	14.2	T5 Stud	8	8	17.8	8.9
249387		10	10	29.4	T5 Stud	8.15	8.15	19	9.5
055173		10-12	10-12	14.2	T5 Stud	7.5	7.5	26	5-6
237970		10-13	10-13	14	T5 Stud	10-11.5	10-11.5	32	16
108119		10-15	10-15	18	T5 Stud	7.5-10	7.5-10	30	15
222415		10.7	17	14.2	T5 Stud	12	12	33.3	18.25
233337		12	8	16	T5 Stud	28.1	29.1	20 / 26	
231711		12	8.5	16	T5 Stud	30.1	29.1	20 / 26	
237840		12	12	16	M6 x 1,00	36	55	52	56

# TUBE HOLDER

## 2 HOUSINGS - THREADED STUD MOUNT

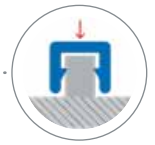


All dimensions in mm / Other dimensions and variants on request.






Ref.	Design	D1	D2	H1	S1	h1	h2	e1	e
222778		12	12	19.5	M6 x 1,00	33	33	48	24.8
015231		12-13	12-13	14.2	T5 Stud	10.5	10.5	27	13.5
017962		12-13	12-13	16	T5 Stud	10	10	23	11.5
020829		12.9-13.1	12.9-13.1	14.2	T5 Stud	8.1	8.1	32	16
250105		16	12	16	M5 x 0,50	13	13	28	3.5
250104		16.3	8	14	M5 x 0,80	40.1	37.4	24.8	10.7
238092		17-20	17-20	50	M6 x 1,00	13	13	32	16
253112		18-21	18-21		T6 Stud	13.1-17.1	13.1-17.1	33	16.5
175085		19	9.5	16	T5 Stud	14	14	35	19.5

# TUBE HOLDER

## 2 HOUSINGS - THREADED STUD MOUNT

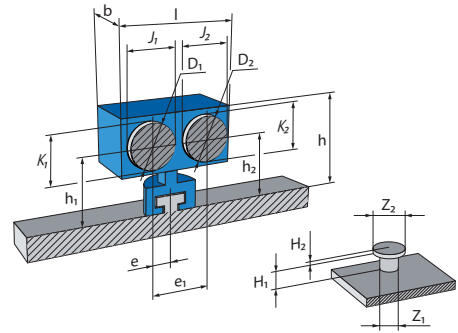
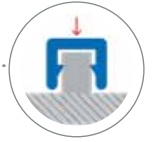


All dimensions in mm / Other dimensions and variants on request.


Ref.	Design	D1	D2	H1	S1	h1	h2	e1	e
233736		20-24	24		T6 Stud	37.3	37.3	33.2	33.2
017930		21	21	6-16	T5 Stud	21	41		15
017877		22.5	22.5	14.2	T5 Stud	36	36	27.5	19.5
244361		23.6-27.2	23.6-27.2	20	M6 x 1,00	20	20	40	20
070110		26.3	18.3	15-99	M6 x 1,00	68	68	26	22

# TUBE HOLDER

## 2 HOUSINGS - T-SHAPE STUD MOUNT

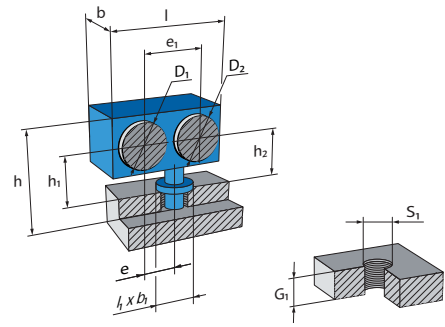


All dimensions in mm / Other dimensions and variants on request.


Ref.	Design	D1	D2	H1	Z2	h1	h2	e1	e
054168		23-25.5	23-25.5	2.5	5.1	14.3	14.3	25	12.5

# TUBE HOLDER

2 HOUSINGS - CAVITY MOUNT - THREADED HOLE

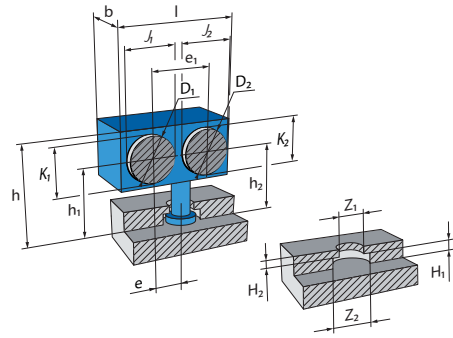


All dimensions in mm / Other dimensions and variants on request.

Ref.	Design	D1	S1	G1	D2	h1	h2	e1	e	l x b x h
017416		8	M6 x 1,00	9.5-100	8	6	6	9.5	4.75	21.5 x 10 x 21

# TUBE HOLDER

2 HOUSINGS - CAVITY MOUNT - T-SHAPE CAVITY

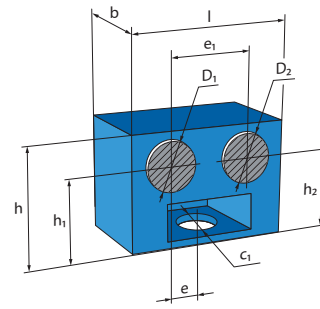


All dimensions in mm / Other dimensions and variants on request.

Ref.	Design	D1	Z1	D2	Z2	h1	h2	e1	e
224933		7.9-8.1		9.9-10.1				17	
224934		8		12				17	9.5
236502		8	6	8	10	15	15	17	8.5
231128		8	6	12	10	14.3	14.3	16-18	17

# TUBE HOLDER

## 2 HOUSINGS - MOUNTING WITH OTHER ELEMENTS

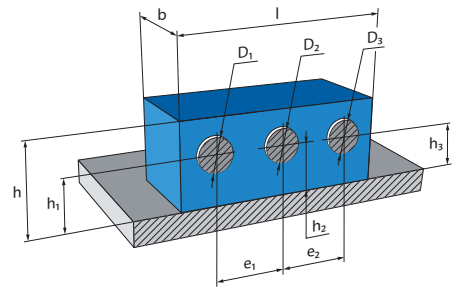
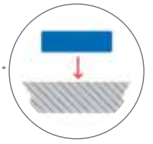


All dimensions in mm / Other dimensions and variants on request.

Ref.	Design	D1	D2	c1	h1	h2	e1	e	l x b x h
255158		12	27.4	11.3			20.14		104 x 30 x 42.4
018265		13	13	5.2-5.4	10.5		27	13.5	45.5 x 32 x 22.5
250416		14.5	8	8.5	35.8	35.8	19	64	84 x 20 x 76.6
151693		14.5	10		12.25	5.8	13.55	22.25	49.8 x 20 x 25.5
082264		15	15	10	14.5	14.5	27	13.5	54.2 x 20 x 25.5
229285		16	16	7.2	7.5	25.5	18	21.3	57.3 x 18 x 44.6

# TUBE HOLDER

## 3 HOUSINGS - SURFACE MOUNT

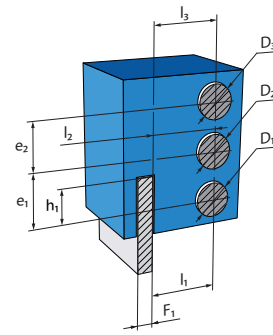


All dimensions in mm / Other dimensions and variants on request.



Ref.	Design	D1	D2	D3	h1	h2	h3	e1	e2	l x b x h
057255		10;8	8 / 10	8;10	9-10	9-10	9-10	19	19	58.7 x 11 x 21.5
201308		7.5-8.5	7.5-8.5	7.5-8.5	7.5	7.5	7.5	12	12	35 x 8 x 14.5

# TUBE HOLDER

3 HOUSINGS - EDGE MOUNT - SAME SIDE

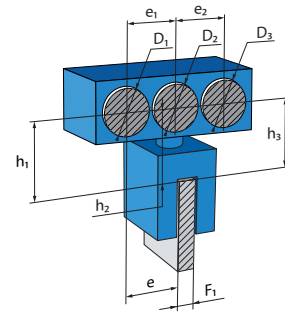


All dimensions in mm / Other dimensions and variants on request.


Ref.	Design	D1	D2	D3	F1	l1	l2	l3	e1	e2
151525		6	8	8	0.7-1.4	3	4	4		
213674		7.9-8.1	7.9-8.1	7.9-8.1	0.7-3	41.5			16	16

# TUBE HOLDER

## 3 HOUSINGS - EDGE MOUNT

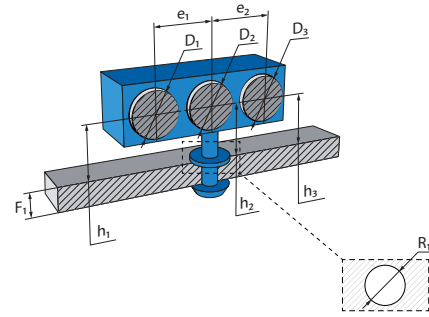


All dimensions in mm / Other dimensions and variants on request.

Ref.	Design	D1	F1	D2	D3	h1	h2	h3	e1	e2	e
225152		8	F1	8	3.7-4.7	2.8	5.15	3.5	9.5	8.35	9.5

# TUBE HOLDER

## 3 HOUSINGS - ROUND HOLE MOUNT

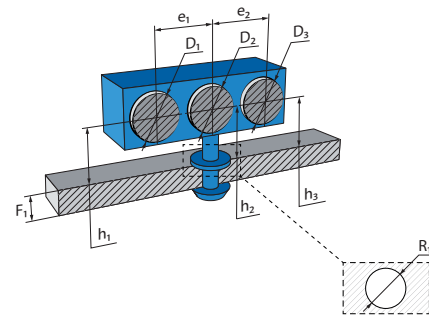


All dimensions in mm / Other dimensions and variants on request.

Ref.	Design	D1	R1	F1	D2	D3	h1	h2	h3	e1	e2
210555		3-6	6.5-6.7	1-1.2	14	8	2.5			1.09	2.51
234088		4-4.76	7.8-8.2	0.4-5.05	4-4.76	4-4.76	9.4-10.4	9.4-10.4	9.4-10.4	8.6	8.6
225834		4.66-4.86	9-9.5	3-5	4.66-4.86	4.66-4.86	26	26	26	15	15
017337		4.7-5	6.5-6.7	0.5-4	6	16	6	7	15	8.5	16
152774		4.8	6.5	1-4	4.8	12-14	7.5	7.5	10	11	13
063556		4.8	6.5-6.7	0.5-2	4.8	4.8	5.5	5.5	5.5	11	11
055450		4.8-6	6.5	0.5-4	4.8-6	4.8-6	6.4 / 7	6.4 / 7	6.4 / 7	12.7	12.7
064967		4.8-8	6.7	0.5-4	4.8-8	4.8-8	8.5-10.3	8.5-10.3	8.5-10.3	15.5	15.5

# TUBE HOLDER

## 3 HOUSINGS - ROUND HOLE MOUNT



All dimensions in mm / Other dimensions and variants on request.



Ref.	Design	D1	R1	F1	D2	D3	h1	h2	h3	e1	e2
238621		5-5.5	6.58-6.8	0.8-1.3	8-5.5	5-5.5	7.6	7.6	7.6	8.6	8.6
251364		5.03-6.1	6.3-6.7	0.8-3.8	5.03-6.1	5.03-6.1	10.8	10.8	10.8	11	11
249572		5.19-5.28	6.1-6.6	1.75-2.25	5.19-5.28	5.19-5.28	7.6	7.6	7.6	10.5	10.5
225050		5.2	8	2	5.2	5.2	15.2	27.2	39.2	12	12
152732		6.5	6.4-6.6	0.7-6	5	6.5	15.6	7.6	15.6	5.25	5.25
245953		6.9;8.5	7.9-8.1	0.8-2	6.9;8.5	6.9	11	11	11	14	13
056573		8	6.5	0.7-3	8	8	9.5	9.5	9.5	15	15
238392		8	8-8.3	1.5 min	8	8	15.6	15.6	15.6	12	12
229728		8.5	6.5	1.5	8.5	13-14	14.9	14.9	14.1	13.5	20.3

# TUBE HOLDER

## 3 HOUSINGS - ROUND HOLE MOUNT

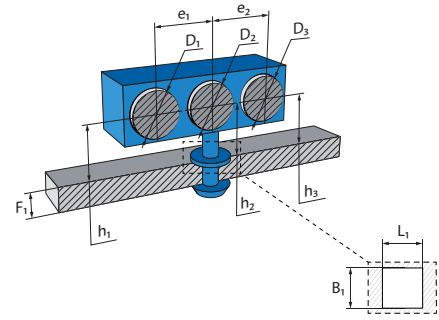
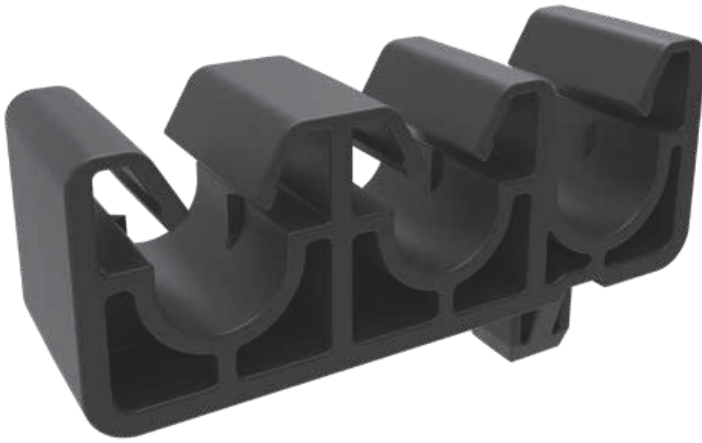


All dimensions in mm / Other dimensions and variants on request.


Ref.	Design	D1	R1	F1	D2	D3	h1	h2	h3	e1	e2
055289		13-15	6.5	0.7-2.5	13-15	13-15	16.5	16.5	16.5	20	20
207345		14-16	8.08-8.3	0.7-2.5	5.5-7	14-16	19-20	39.7-40.5	60-61		

# TUBE HOLDER

## 3 HOUSINGS - SQUARE HOLE MOUNT

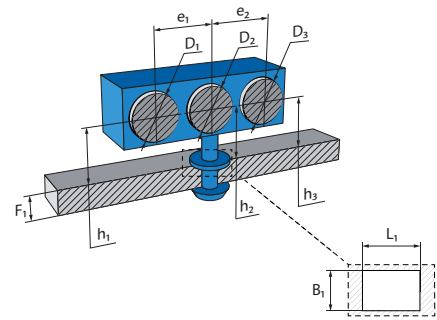
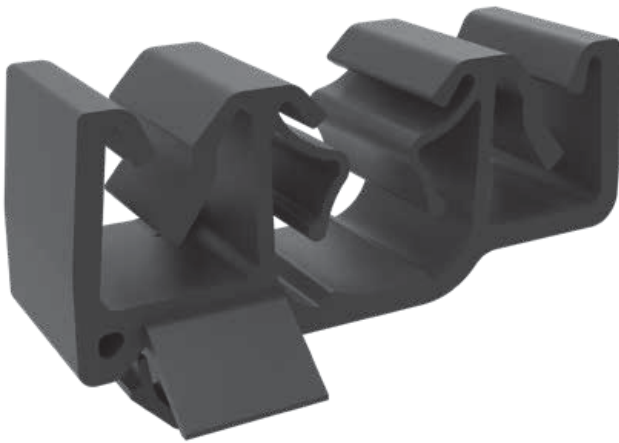


All dimensions in mm / Other dimensions and variants on request.

Ref.	Design	D1	L1 x B1	F1	D2	D3	h1	h2	h3	e1	e2
246294		7.97-8.73	6.9-7.1 x 6.9-7.1	0.74-0.86	8.17-8.73	9.8-10.4	10	10	10	17.1	15.4

# TUBE HOLDER

## 3 HOUSINGS - RECTANGULAR HOLE MOUNT

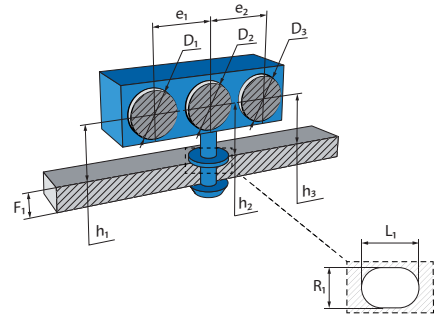


All dimensions in mm / Other dimensions and variants on request.


Ref.	Design	D1	L1 x B1	F1	D2	D3	h1	h2	h3	e1	e2
223195		2.5	10.5 x 10	1-1.2	4-8	7				10.3	36.8
220221		2.5	10.5 x 10	1.1	7-14	7.1				10	37
208336		3-6	10.3-10.7 x 9.8-10.2	1.1	14	7.1	10.5			13	34.5
056998		4-7.5	12.2 x 6.2	0.67-1.5	8-12	4-7.5	6	5.5	7.75	14.7	13

# TUBE HOLDER

## 3 HOUSINGS - OBLONG HOLE MOUNT

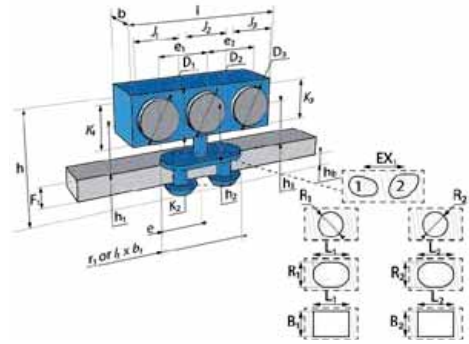


All dimensions in mm / Other dimensions and variants on request.


Ref.	Design	D1	L1 x R1	F1	D2	D3	h1	h2	h3	e1	e2
128566		4.8-8	12.2 x 8.2	0.8-4	4.8-8	4.8-8	6.9-8.7	6.9-8.7	6.9-8.7	12.5	12.5
211677		8	12.2 x 6.2	0.7-3	8	8	10	10	10	16	16
200083		10	12.2 x 6.2	1.5-3	6	10	10.2	10.5	10.2	8.5	8.5

# TUBE HOLDER

3 HOUSINGS - HOLE MOUNT - MULTIPLE HOLES

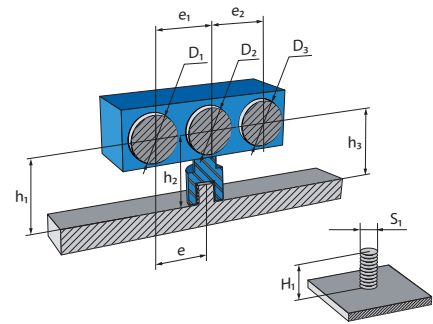


All dimensions in mm / Other dimensions and variants on request.

Ref.	Design	D1	L1 x B1	F1	D2	L2 x B2	D3	h1	e1	e2	e	l x b x h
014602		4.5	4.85-5.15 x 13.85- 14.15	1.25	4.5	4.85-5.15 x 13.85- 16.15	4.5	3.5	8	8	8	35.6 x 12 x 18.8

# TUBE HOLDER

## 3 HOUSINGS - THREADED STUD MOUNT

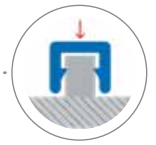


All dimensions in mm / Other dimensions and variants on request.

Ref.	Design	D1	H1	S1	D2	D3	h1	h2	h3	e1	e2	e
244897		11.6;5	14	T5 Stud	5	5	7 / 10.4	8.2	8.2	12.5	25	26.5
221005		4.6-5.1	13.5	T5 Stud	4.6-5.1	4.6-5.1		22	22	8.9	8.9	8.54
055083		4.7-5.05	14	T5 Stud	6-10	6-10	8	10-12.5	10-12.5	20	16.5	9
015244		4.75	12;14.3	T5 Stud	4.75	6.35	7	7	7	15.5	13	21
020016		4.75	13.9-14.5	T5 Stud	4.75	4.75	32.5	32.5	32.5	9	9	18
014701		4.75	14.2	T5 Stud	4.75	4.75	7	7	7	16.5	9	18
015728		4.75	14.2	T5 Stud	8	4.75	7	8.5	7	18.8	12	21.8
081482		4.75	20;18	T5 Stud	12	8	6.5	12		29	15	35

# TUBE HOLDER

## 3 HOUSINGS - THREADED STUD MOUNT

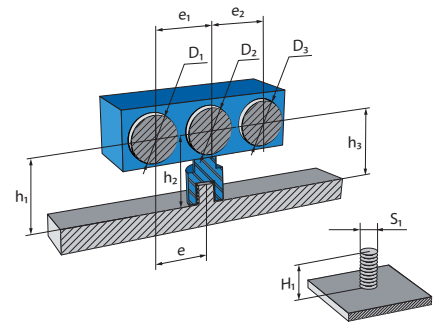


All dimensions in mm / Other dimensions and variants on request.

Ref.	Design	D1	H1	S1	D2	D3	h1	h2	h3	e1	e2	e
152775		4.8		T6 Stud	4.8	12-14	7.5	13.7	8	0	17.75	7
054771		4.8-6	14	T5 Stud	4.8	4.8	5.5-6	15	6.1	9.5	7.5	11
054179		4.8-8		T5 Stud	4.8	4.8	9	9	9	18	23	29.5
054489		4.8-8	14	T5 Stud	4.8-8	4.8-8	7-8.5	7-8.5	7-8.5	15.5	24.4	27.7
235782		4.9-6.5	14	T5 Stud	4.9-6.5	4.9-6.5	20.5	20.5	20.5	11.5	17.5	20.25
239368		5	14	T5 Stud	5	5	5.2	5.2	5.2	9.5	15.4	17.2
239886		5	14	T5 Stud	5	5	10	10	10	24.1	25	36.6
246355		5	14	T5 Stud	5	6	10.2	10.2	10.2	25	12.1	12.5
108155		5	14	T5 Stud	5	6	11	11	11	18	14	9
245001		5	14	T5 Stud	5	10.2	5.2	5.2	9.1	15.4	13	7.7
245004		5	14	T5 Stud	5	10.2	10	10	10	25	23.1	12.5

# TUBE HOLDER

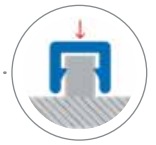
## 3 HOUSINGS - THREADED STUD MOUNT



All dimensions in mm / Other dimensions and variants on request.

Ref.	Design	D1	H1	S1	D2	D3	h1	h2	h3	e1	e2	e
245030		5	14	T5 Stud	5	10.2	10.2	10.2	14.1	15.4	13	7.7
208180		5-6	14	T5 Stud	5-6	5-6	20-22	20-22	20-22	12	12	17-19
164737		5.19-5.28	10-15.5	M5 x 0,80	5.19-5.28	5.19-5.28	17.9	17.9	17.9	15.6	10.6	7.8
249579		5.2	15	T5 Stud	5.2	5.2	17.9	17.9	17.9	15.6	10.4	7.8
017722		8	14.2	T5 Stud	8	10	14.5	14.5	14.5	13	19	22.25
019927		8	14.2	T5 Stud	10-12	6-8	8	8	8	13.8	20	25.2
211812		8-10	14	T5 Stud	4.8-8	5-5.2	9.7-11.7	7.8-9.7	7.4-7.8	22.2	13.4	11.6
130586		8-10	14-18	T5 Stud	8-10	8-10	13	13	13	17	25	29.5
232989		8-10	15	M6 x 1,00	21	8	15.85	15.85	15.85	28.54	17.24	18.5

# TUBE HOLDER



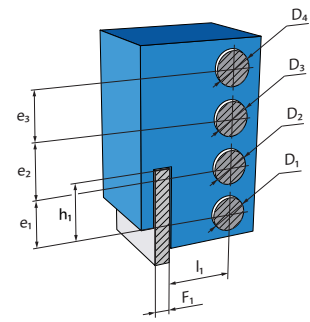
## 3 HOUSINGS - THREADED STUD MOUNT

All dimensions in mm / Other dimensions and variants on request.

Ref.	Design	D1	H1	S1	D2	D3	h1	h2	h3	e1	e2	e
247214		8-10	15	T5 Stud	8-10	6.35-8.45	13	13	13	21.8	14	10.9
249219		8-11	14	T5 Stud	4.8-8	5-5.2	9.7-12.2	7.8-9.6	7.8	22.2	13.4	11.6
230242		8.17-8.73	15	T5 Stud	9.8-10.4	8.17-8.73	10.7	10.7	10.7	21.8	14	10
242075		8.8		T5 Stud	8.8	12.5	11.2	11.2	14.7	29	18.8	15.3
018559		10	14.2	T5 Stud	8	10	6.5	5.6		21	11	22.5
239074		10	15	T6 Stud	10	10			13.85	18.4	26	31.4
241985		10	15-22	T6 Stud	10	10	13.85	13.85	13.85	18.4	26	31.4
236148		10	16	T5 Stud	10	10	11	11	11	16	26	29
056974		21.2-24.2	19	T5 Stud	6.2	6	23.5	11	39.5	22.5	10	22.5
245041		5;11.6	14	T5 Stud	5	5	12-15.4	13.2	13.2	12.5	25	26.5

# TUBE HOLDER

## 4 HOUSINGS - EDGE MOUNT

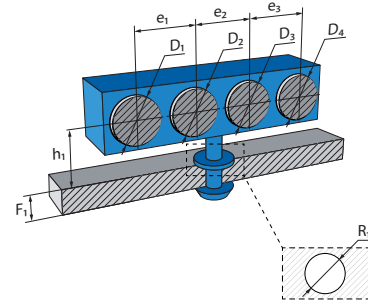


All dimensions in mm / Other dimensions and variants on request.

Ref.	Design	D1	F1	D2	D3	D4	e1	e2	e3	l x b x h
218024		18	1-3	12	12	18	3	14	3	47.3 x 48 x 33.9

# TUBE HOLDER

## 4 HOUSINGS - ROUND HOLE MOUNT

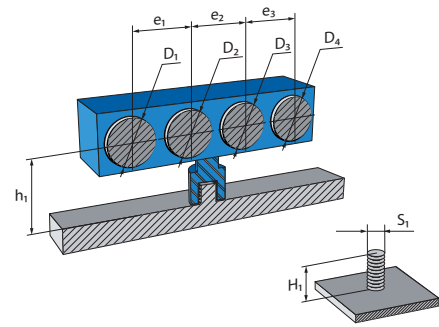
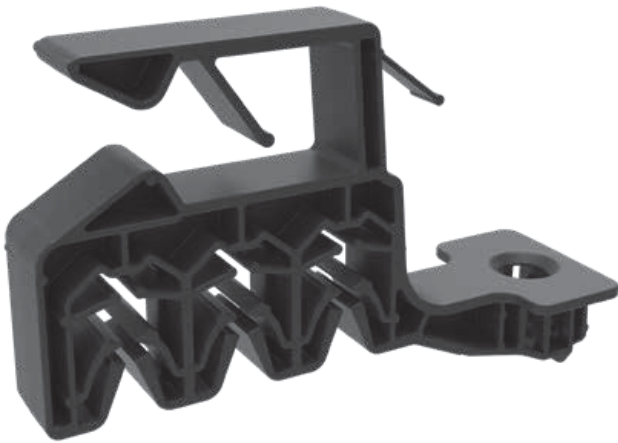


All dimensions in mm / Other dimensions and variants on request.

Ref.	Design	D1	R1	F1	D2	D3	D4	h1	e1	e2	e3
055084		4.7-5.05	6.3-6.5	0.7-3	4.7-5.05	6-10	6-10	10.3	11	14	16.5
055752		4.8-8	6.5	0.5-4	4.8-8	4.8-8	4.8-8	10	15.5	15.5	15.5
128467		4.8-8	10.2	0.7-4	4.8-8	4.8-8	4.8-8	6.15-9.53	12.5	12.5	12.5
201513		6-10	6.5-6.7	0.8-6	14-16	16-18	15-16	22.8	22.5	26.3	27
015171		7.6	10.9-11.1	1.75	7.6	7.6	7.6	8	12	12	12
230020		9-12.5	11-13	3-7	9-12.5	9-12.5	4.5-6	15-17	20	20	17
255591		10-14	6.5-6.9	1-6	10-14	4.7-5.1	4.7-5.1		22.2	17.35	12.5

# TUBE HOLDER

## 4 HOUSINGS - THREADED STUD MOUNT

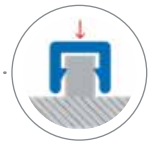


All dimensions in mm / Other dimensions and variants on request.

Ref.	Design	D1	H1	S1	D2	D3	D4	h1	e1	e2	e3
247903		4.5-6.5	14.2	T5 Stud	4.5-6.5	4.5-6.5	5;10	12.5	18	26	18
056397		4.7-5.05	14-18	T5 Stud	4.7-5.05	4.7-5.05	4.7-5.05	13.4	9.5	14	9.5
019865		4.75	14.2	T5 Stud	10	10	4.75	5.4	8.7	23.2	12.3
019864		4.75	14.2	T5 Stud	10	12	4.75	5.4	8.48	23.2	12.3
235196		4.8	15	T5 Stud	6.35-8	6.35-8	4.8	11.5	11.4	20	11.4
213014		4.8-6	14	T5 Stud	4.8-6	4.8-6	12		10	2.5	12.5
223712		4.8-8	21	M6 x 1,00	4.8-8	4.8-8	4.8-8	31.3-32.3	14.55-15.05	14.55-15.05	14.55-15.05
223713		4.8-8.5		M6 x 1,00	4.8-8.5	4.8-8.5	4.8-8.5	26.49-27.49	22.05-22.55	22.05-22.55	22.05-22.55

# TUBE HOLDER

## 4 HOUSINGS - THREADED STUD MOUNT

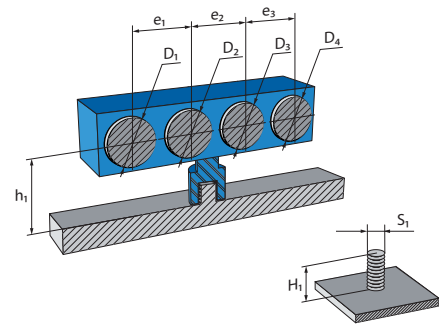


All dimensions in mm / Other dimensions and variants on request.

Ref.	Design	D1	H1	S1	D2	D3	D4	h1	e1	e2	e3
235545		4.8-10	21	M6 x 1,00	4.8-8	4.8-8	4.8-10	29.8	14.85-15.35	14.85-15.35	14.85-15.35
237399		5	14	T5 Stud	5	5	5-8	10.5	12	25	14
243502		5-5.4	14.5	T5 Stud	5-5.4	9.5-10.5	9.5-10.5	9.3	9.5	19.75	31.85
204798		6	14	T5 Stud	9-11	4.8	4.8	10	17	22.5	11
056975		6	14-18	T5 Stud	9-11	4.75	4.75	9	17	22.5	11
252474		6.8		M6 x 1,00	6.8	9.8-10.2	11.3-11.7	17.6	10	35.1	17.1
019141		8	14.2	T5 Stud	4.8	8	4.8	5.5	11.7	18.8	11.7
018996		8	14.2	T5 Stud	8	8	8	10	15.25	20	15.25
019187		8	14.2	T5 Stud	16	10	10	14.5	15.25	21.5	14.75
016496		8	14.2	T5 Stud	8;6	8;6	8	18.49	13.2	14.6	13.2
211142		8-10.5	16	T5 Stud	8-10.5	8-10	23	24	27	17.9	26.8

# TUBE HOLDER

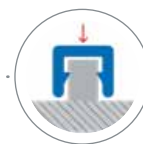
## 4 HOUSINGS - THREADED STUD MOUNT



All dimensions in mm / Other dimensions and variants on request.





Ref.	Design	D1	H1	S1	D2	D3	D4	h1	e1	e2	e3
213021		8-10.5	16	T5 Stud	8-10.5	8-10.5	10	24	27	17.9	26.8
240074		9.8-10.4	15	T5 Stud	8.17-8.73	4.51-5.01	4.51-5.01	13	23.2	13.1	11.5
240075		9.8-10.4	15	T5 Stud	8.17-8.73	6.71-7.21	6.71-7.21	13	15	13.1	11.5
240076		9.8-10.4	15	T5 Stud	9.8-10.4	4.51-5.01	4.51-5.01	13	23.2	13.1	11.5
240078		9.8-10.4	15	T5 Stud	9.8-10.4	6.71-7.21	6.71-7.21	13	15	13.1	11.5
240077		9.8-10.4	15	T5 Stud	9.8-10.4	6.71-7.21	6.71-7.21	13	23.2	13.1	11.5
245840		10	16		8-10	10	10		14	26	14
255760		10-11.5	14	T5 Stud	10-11.5	6.5	6.5				
246477		10.35	14.2	T5 Stud	10.35	5.12-5.21	5.12-5.21	9.6-10.6	18.8	27	9

# TUBE HOLDER



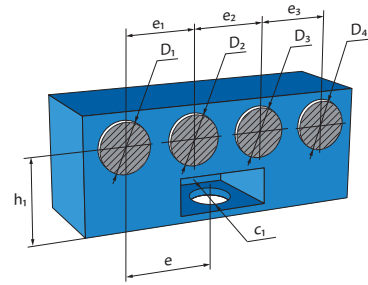
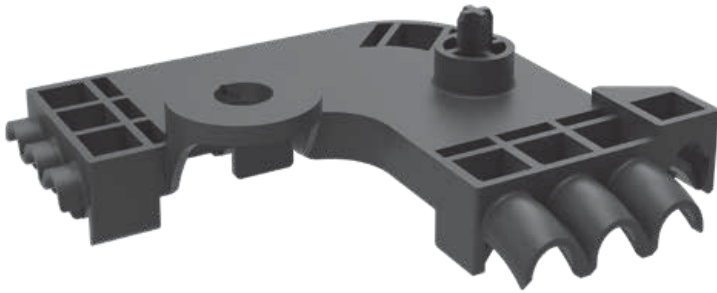
## 4 HOUSINGS - THREADED STUD MOUNT

All dimensions in mm / Other dimensions and variants on request.

Ref.	Design	D1	H1	S1	D2	D3	D4	h1	e1	e2	e3
222078		15.2-16	26	M6 x 1,00	9.9-10.4	15.2-16	6.5	14.5	29.9	17.3	13.8
225656		19.1	14	T5 Stud	4.9	4.9	12.8	27.1	17.1	19	13.9
251895		6;5.13	17 min	M6 x 1,00	5.13;6	5.13;6	5.13;6	7.6 / 8	11	35	11
054286		8;4.8	14	T5 Stud	8;4.8	8;4.8	8;4.8	10	16.5	20.5	11

# TUBE HOLDER

## 4 HOUSINGS - MOUNTING WITH OTHER ELEMENTS - ROUND

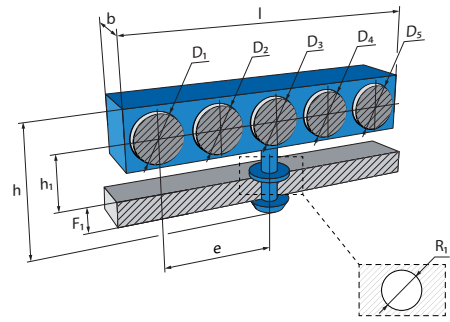
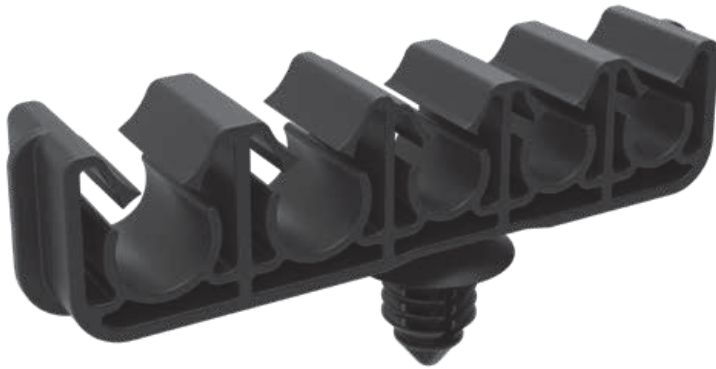


All dimensions in mm / Other dimensions and variants on request.

Ref.	Design	D1	D2	D3	D4	h1	e	e1	e2	e3	c1
241375		7.92-8.08	9.42-9.58	4.68-4.84	4.68-4.84	10	24.3	12.75	23.1	10	6.5
215479		8	8	8	8				16		12.6
241350		10	4.75	4.75	6.5	10	24	15	18	10	6.2

# TUBE HOLDER

## 5 HOUSINGS - ROUND HOLE MOUNT

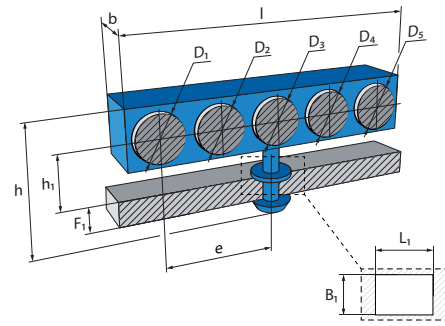


All dimensions in mm / Other dimensions and variants on request.


Ref.	Design	D1	R1	F1	D2	D3	D4	D5	h1	e	l x b x h
245949		8.5	7.9-8.1	0.8-2	8.5	6.9	6.9	6.9	10.8	44.5	70.3 x 27.4 x 31.5
245948		8.5	7.9-8.1	0.8-2	8.5	6.9	6.9	6.9	10.8	29.5	70.3 x 16 x 31.5

# TUBE HOLDER

## 5 HOUSINGS - RECTANGULAR HOLE MOUNT

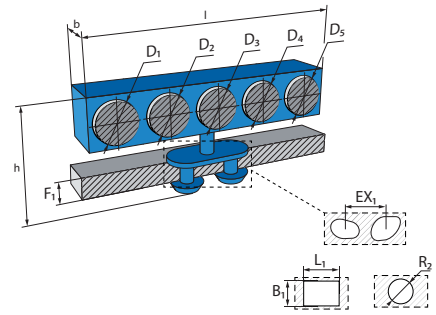
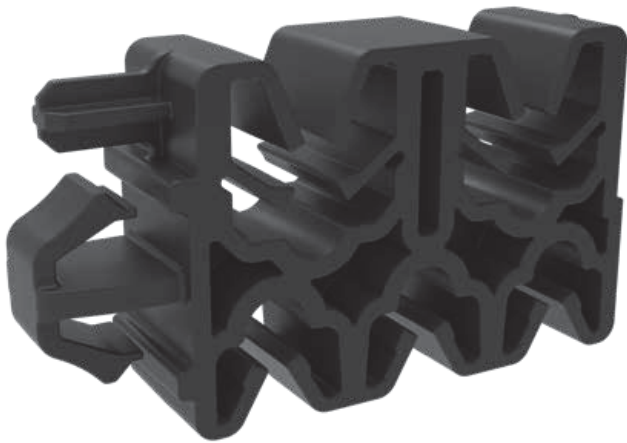


All dimensions in mm / Other dimensions and variants on request.


Ref.	Design	D1	L1 x B1	F1	D2	D3	D4	D5	h1	r1 or l1 x b1	e	l x b x h
244691		5.25	12.05-12.3 x 6.1-6.3	1.76-1.91	4.75	6	6	16	45.4	8.9 x 12	10.7	41 x 12 x 74.5

# TUBE HOLDER

5 HOUSINGS - HOLE MOUNT - MULTIPLE HOLES

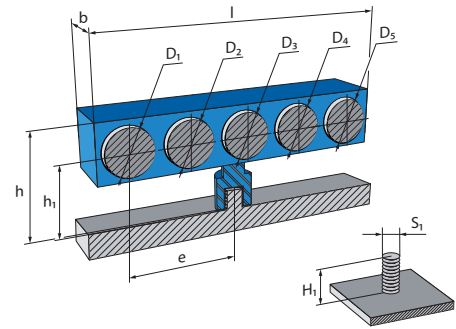


All dimensions in mm / Other dimensions and variants on request.

Ref.	Design	D1	F1	D2	R2	D3	D4	D5
248432		4.68-4.84	1.5-1.7	4.68-4.84	6.1	4.68-4.84	4.68-6.43	4.68-6.43

# TUBE HOLDER

## 5 HOUSINGS - THREADED STUD MOUNT

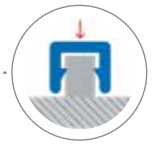


All dimensions in mm / Other dimensions and variants on request.





Ref.	Design	D1	H1	S1	D2	D3	D4	D5	h1	e	l x b x h
247899		4.67-6.53	15	T5 Stud	9.8-10.4	4.67-6.53	9.8-10.4	4.67-4.93	8	38.5	73 x 31 x 31
019647		4.75	14.2	T5 Stud	8	8	4.75	8	5.4	34.7	65.87 x 13 x 19
019649		4.75	14.2	T5 Stud	8	8	4.75	8	12.4	34.7	65.9 x 13 x 26
129755		4.8-8	14	T5 Stud	4.8-8	4.8-8	8-10	8-10	11.9-13.6	35	83 x 25.1 x 26
236174		4.8-10	21	M6 x 1,00	4.8-10	4.8-10	4.8-10	4.8-10	51	37.6-38.1	80.7 x 31.5-32.5 x 63.04
020088		5.15	14.2	T5 Stud	5	10	8	8	11	29	60.5 x 13 x 19
175082		6	14.2	T5 Stud	6	4.75	4.75	4.75	7.5	20	52.5 x 14 x 24.5
247898		6.71-7.21	15	T5 Stud	6.71-7.21	9.8-10.4	9.8-10.4	7.97-8.73	14	36.2	81.1 x 16 x 22

# TUBE HOLDER

## 5 HOUSINGS - THREADED STUD MOUNT

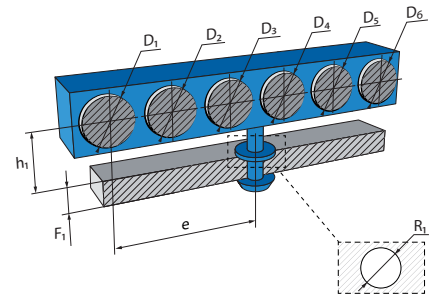


All dimensions in mm / Other dimensions and variants on request.


Ref.	Design	D1	H1	S1	D2	D3	D4	D5	h1	e	l x b x h
216067		8-10	14	T5 Stud	4.8-8	4.8-8	8-10	8-10	10	37	87 x 25.05 x 23
240496		8-10	21	M6 x 1,00	4.8-8	4.8-8	4.8-8	4.8-10	49.85	38.21-38.71	79.8-81.8 x 14.75-15.25 x 59-61
233012		8.3-8.5	16	T5 Stud	8.3-8.5	8.3-8.5	5	5	9	26	77.5 x 12 x 18.5
152596		9.52	21 max	M6 x 1,00	5.2-6.8	5.2-6.8	5.2-6.8	5.2-6.8	19.75	35.65	72.2 x 15 x 29

# TUBE HOLDER

MORE THAN 5 HOUSINGS - ROUND HOLE MOUNT

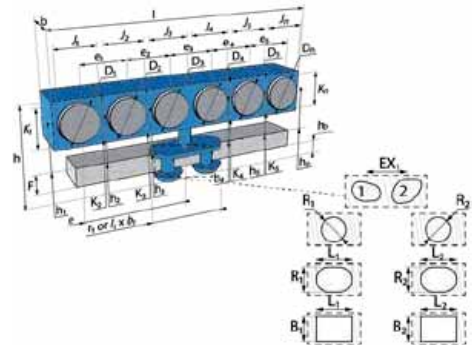
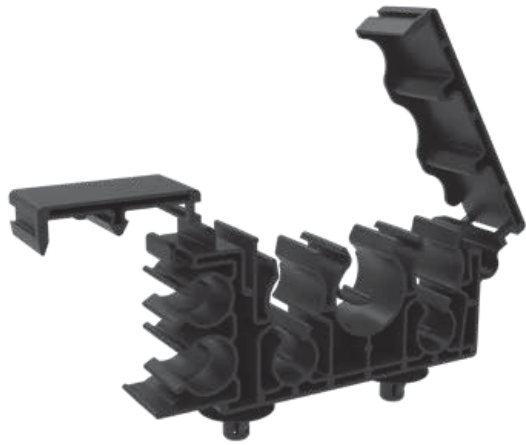


All dimensions in mm / Other dimensions and variants on request.

Ref.	Design	D1	R1	F1	D2	D3	D4	D5	D6	h1	e
014748		10	6.1-6.3	0.7-2.4	9	9	9	9	9	9	23

# TUBE HOLDER

MORE THAN 5 HOUSINGS - MULTIPLE HOLES MOUNT

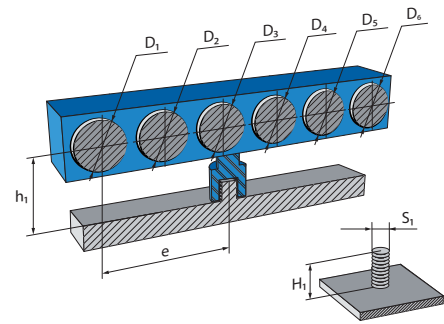
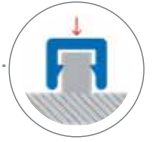


All dimensions in mm / Other dimensions and variants on request.



Ref.	Design	D1	R1	F1	D2	D3	D4	D5	D6	h1
251330		18	9	1-3	18-22	18	9-13	9-13	9-13	37

# TUBE HOLDER

MORE THAN 5 HOUSINGS - THREADED STUD MOUNT

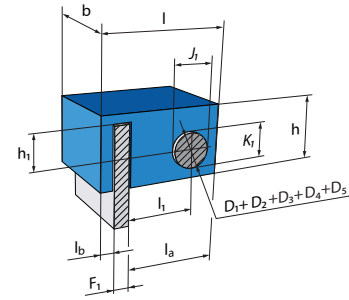


All dimensions in mm / Other dimensions and variants on request.

Ref.	Design	D1	H1	S1	D2	D3	D4	D5	D6	h1	e
020085		5.05-5.25	14.2	T5 Stud	5.05-5.25	4.9-5.1	9.9-10.1	7.9-8.1	7.9-8.1	14.8	37
128415		12	14-18	T5 Stud	4.8	4.8	4.8	13	4.8-8	20	53

# TUBE HOLDER FOR CORRUGATED HOSE

1 HOUSING - EDGE MOUNT - PANEL PARALLEL

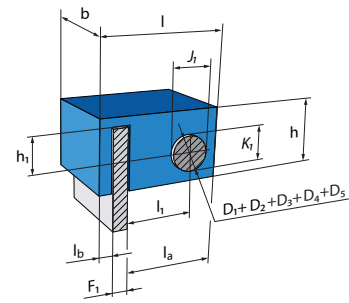


All dimensions in mm / Other dimensions and variants on request.


Ref.	Design	D	F1	l <sub>a</sub>	l <sub>b</sub>	l <sub>1</sub>	h <sub>1</sub>	l x b x h
019151		15.7-16.3	1-3.5	21.7	4	8.6	11.5	26.3 x 31.2 x 22.1
082580		25.1-25.9	1.5-4.5	36.4	7	10.25	10.26	44.7 x 22 x 68.9
019314		28.3-28.7	1-3.5	35.5	4	14.85	11.5	40 x 44.8 x 22.1
017784		7-13	0.8-3	12.2	3.6	7.5	10	16.2 x 18 x 16.6
017783		7-13	0.8-3	12.2	6	7.5	10	16.1 x 18 x 16.6
018917		7-13	0.8-3	12.2	6	7.5	9.8	16.4 x 18.3 x 16.9
017786		7-13	3-6	12.2	3	7.5	10	19 x 18 x 16.4
017785		7-13	3-6	12.2	6	7.5	10	19 x 18 x 16.4

# TUBE HOLDER FOR CORRUGATED HOSE

1 HOUSING - EDGE MOUNT - PANEL PARALLEL

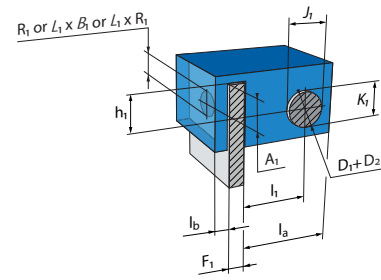


All dimensions in mm / Other dimensions and variants on request.

Ref.	Design	D	F1	la	lb	l1	h1	l x b x h
020121		9.2	1.85-3.15	9.3	1.7	5	2	13 x 15 x 10.7

# TUBE HOLDER FOR CORRUGATED HOSE

1 HOUSING - EDGE MOUNT - PANEL PARALLEL - WITH A HOLE

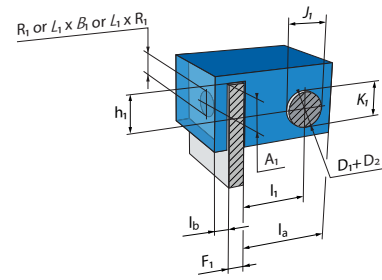


All dimensions in mm / Other dimensions and variants on request.


Ref.	Design	D	R1	F1	A1	la	lb	l1	h1
020568		13.5	4.8-5.2	0.8-2	8.8-9.2	18.8	2.8	7.25	
020434		13.5	4.9-5.1	0.5-1	6.1-6.5	19	2.3	7.25	6.5
019152		15.7-16.3	4.8-5.2	0.8-1.8	8.8-9.2	21.7	3	8.6	11.5
020704		18	4.9-5.1	0.8-2	8.8-9.2	21.9	2.9	10.2	
017613		20.6-21.4	5-5.2	2/3	13.2-13.5	26.9		14.6	13.2
256836		22-25.5	5-5.2	2;3	13.2-13.5	45	4	16	13.2
019150		24.6-25.4	4.8-5.2	0.8-1.8	8.8-9.2	31.5	3	13.1	11.5
019378		28.5	4.8-5.2	0.8-1.8	8.8-9.2	35.5	3	14.55	11.5

# TUBE HOLDER FOR CORRUGATED HOSE

1 HOUSING - EDGE MOUNT - PANEL PARALLEL - WITH A HOLE

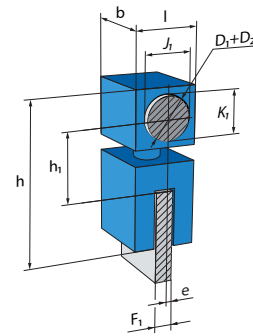


All dimensions in mm / Other dimensions and variants on request.

Ref.	Design	D	R1	F1	A1	la	lb	l1	h1
017798		31-31.8	5-5.2	2;3	13.2-13.5	37.5	3.9	20	13.2

# TUBE HOLDER FOR CORRUGATED HOSE

1 HOUSING - EDGE MOUNT - ABOVE PANEL EDGE



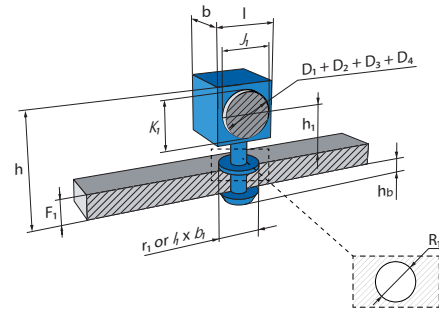
All dimensions in mm / Other dimensions and variants on request.

Ref.	Design	D	F1	h1	l x b x h
082504		12.6-13.2	1-3.5	7.8	19 x 15 x 27.3
237520		6.8-7.4	1-3	16.25	16 x 15 x 35.55
082506		6.8-7.4	1-3.5	5.85	15.4 x 13 x 22.52
082505		9.6-10.2	1-3.5	7.25	15.5 x 15 x 39

# TUBE HOLDER FOR CORRUGATED HOSE



## 1 HOUSING - ROUND HOLE MOUNT



All dimensions in mm / Other dimensions and variants on request.

Ref.	Design	D	R1	F1	J1 x K1	r1 or l1 x b1	h1	hb	l x b x h
017096		11.5;12.9	6.5-6.7	1-6		18	10.6 / 11.3	4.3-9.3	18.48 x 18 x 34.42
164178		12.6-13.2	6.4-6.6	0.7-1.1		20	11.6	4.7	20 x 26 x 39
230338		12.6-13.2	6.5-6.7	0.6-6		16	17	6.75-11.95	17.4 x 16 x 52.4
223214		12.6-13.2	6.5-6.7	0.8-2		20	42.8	7.1	18 x 15 x 72.4
019412		12.6-13.2	6.5-6.7	2.5		18	9.55	6.8	25 x 18 x 26.8
019936		12.9	8-8.2	0.8-6		20	12.1	5-10.2	20 x 15 x 45.7
220131		13-15	6.5-6.7	1-3		22	10.5-12.5	5.4-7.4	29.85 x 22 x 42.74
017600		15.5-16.1	6.5-6.7	1-6		20	13.1	9.5-4.5	22 x 20 x 33.5

# TUBE HOLDER FOR CORRUGATED HOSE



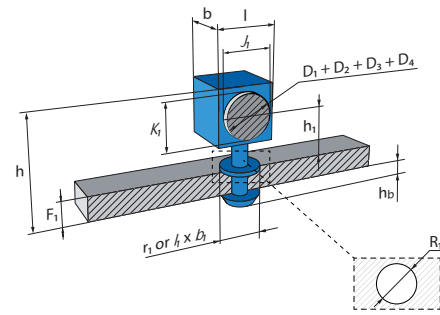
## 1 HOUSING - ROUND HOLE MOUNT

All dimensions in mm / Other dimensions and variants on request.

Ref.	Design	D	R1	F1	J1 x K1	r1 or l1 x b1	h1	hb	l x b x h
018890		15.5-16.1	6.5-6.7	2.5		18	11	6.8	27 x 20 x 31.9
014482		15.7	7-7.1	3.84-4.16			8	5	21 x 10 x 30
017097		15.8 / 18.3	6.5-6.7	1-6		20	11.7 / 15.5		26.5 x 20 x 39.63
017098		16-18.5	6.5-6.7	0.8-6		20	15.8	4.5-9.7	27 x 20 x 45.2
255874		18.7 / 21	6.5-6.7	0.7-3.5		21.5 x 10	16.5	7.7-10.5	31.6 x 10 x 44.1
017521		20.6-21.4	6.5-6.7	0.8-2.5		22	15.1	6.8	32.42 x 22 x 37.25
018480		20.6-21.4	6.5-6.7	2-3.7		22	15.1	6.8	32.5 x 22 x 38.4
017529		25.1-25.9	6.5-6.7	0.8-2.5		22	17.35	6.8	37 x 22 x 39.3
246280		28.2-29.2	8-8.3	1.5		21	28.7	13.6	48.1 x 21 x 80.8
017878		31-31.8	6.5-6.7	0.8-2.5		22	20.3	6.8	42 x 20 x 45.4
175072		31-31.8	7-7.3	2.8-4		22		7	53.19 x 22 x 71.1

# TUBE HOLDER FOR CORRUGATED HOSE

## 1 HOUSING - ROUND HOLE MOUNT



All dimensions in mm / Other dimensions and variants on request.

Ref.	Design	D	R1	F1	J1 x K1	r1 or l1 x b1	h1	hb	l x b x h
244362		4.15-4.45	6.9-7.2	2-3	4.15-4.45 x 4.15-4.45	15.5-16.5	21.5	19	36.5 x 10 x 25
163953		4.5	6.5-6.7	1-6		15 x 10	6.2	10	11.6 x 10 x 21.4
018441		5	9	0.7-1.3		18	7.7	6.8	
238169		22	12	0.8-6		24	24.2		44.8 x 24 x 71.8
019670		23	6.5-6.7	0.8-2.5		22	16	6.8	40.9 x 20 x 56.4
018833		29	7	1-2		20	20.5	9-10	38 x 20 x 48.7
249068		4.5-7.1	6.5-6.7	0.6-6		18	22.6	6-11.4	18 x 18 x 41
224902		4.5-7.1	6.5-6.7	3.68-3.92		14	6	9.8	10.2 x 14 x 31.6
235144		6.8-7.4	4.8-5.2	0.8-6		16	16	2.6-7.8	16 x 16 x 40.3

# TUBE HOLDER FOR CORRUGATED HOSE



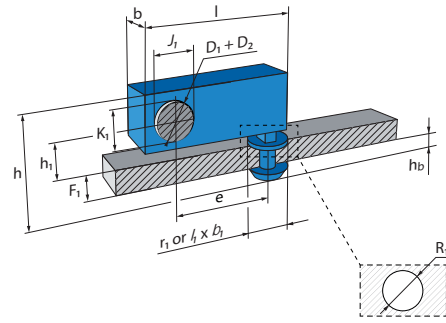
## 1 HOUSING - ROUND HOLE MOUNT

All dimensions in mm / Other dimensions and variants on request.

Ref.	Design	D	R1	F1	J1 x K1	r1 or l1 x b1	h1	hb	l x b x h
239062		6.8-7.4	5-5.2	0.8-6		16	16	2.9-8.1	16 x 16 x 40.5
017482		6.8-7.4	6.5-6.7	1-6		15 x 10	5.15	5.4-10.4	15 x 10 x 21.75
164177		6.8-7.4	6.9-7.1	0.9-2.6		8 x 7.6	5.1	10.8	17 x 10 x 31.6
250423		6.9-7.4	6.5-6.7	0.6-6		15 x 10	5.15	5.21-10.61	15 x 10 x 21.56
224867		7	6.5-6.7	1.5-4		7.5-7.8	14.55	6.82	18.33 x 6.5 x 21.57
020581		7.1	6.5-6.7	0.9-1.1		15 x 10	6.4	6.8	15 x 10 x 29.9
232979		7.1	6.5-6.7	1-6		15 x 22	5.1	5.4-10.4	15 x 22 x 33.3
017095		7.1;9.9	6.5-6.7	1-6		15	9.15 / 10.55	4.9-9.9	15.55 x 15 x 29.2
229725		7.5	5	1-9		16	17.4		16 x 16 x 52.25
019570		7-8	6.5-6.7	1.5-8			5.4	2-8.5	18.4 x 6.5 x 24.3
017713		9.6-10.2	6.5-6.7	1-6		15	10.15	9.5-4.5	15 x 15 x 27.35

# TUBE HOLDER FOR CORRUGATED HOSE

1 HOUSING - ROUND HOLE MOUNT WITH OFF-SET

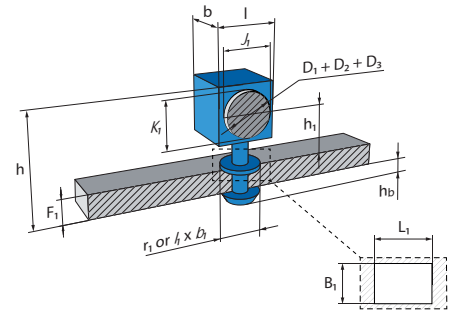


All dimensions in mm / Other dimensions and variants on request.


Ref.	Design	D1	R1	F1	D2	r1 or l1 x b1	h1	hb	e	l x b x h
218786		11	6.5	0.7-1.2	11	16	5.36	9.24	12	45.85 x 50 x 21.1

# TUBE HOLDER FOR CORRUGATED HOSE

## 1 HOUSING - RECTANGULAR HOLE MOUNT

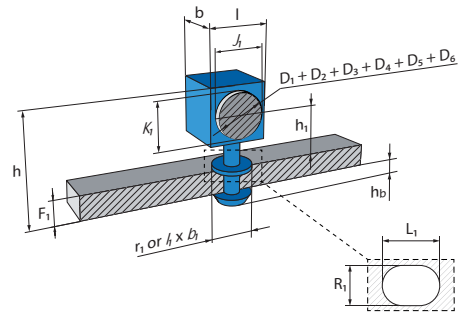


All dimensions in mm / Other dimensions and variants on request.

Ref.	Design	D	L1 x B1	F1	r1 or l1 x b1	h1	hb	l x b x h
213942		21-24.5	12-12.2 x 8-8.2	0.7-2	25.5 x 15	18.5-20.2	7	71.8 x 15 x 52.5

# TUBE HOLDER FOR CORRUGATED HOSE

## 1 HOUSING - OBLONG HOLE MOUNT

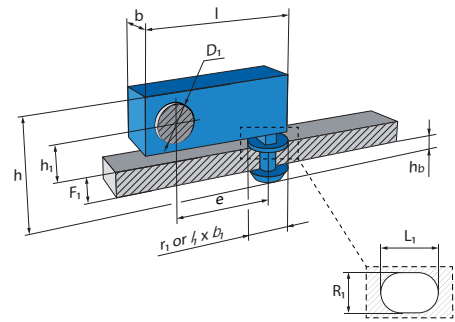
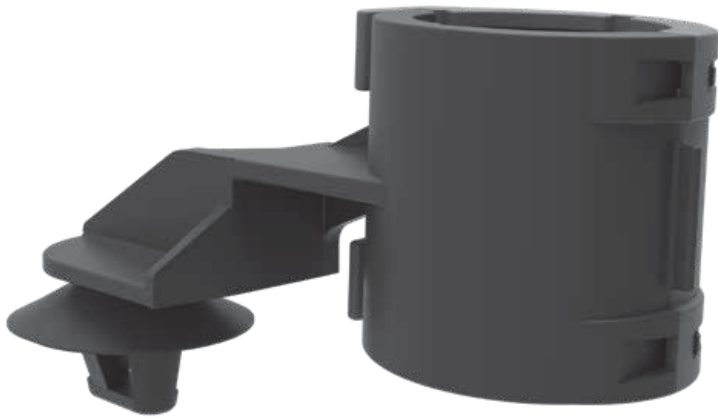


All dimensions in mm / Other dimensions and variants on request.


Ref.	Design	D	L1 x R1	F1	r1 or l1 x b1	h1	hb	l x b x h
219294		10	12.2 x 6.2	0.7-1.5		10.15		14.9 x 20.7 x 36.1
212065		19	12.2 x 6.2	2.95	21 x 15	27.79	5.1	45 x 23 x 76
215721		21	12.2 x 6.2	4.15-5.15	21 x 15	29.5	5.1	23.8 x 48.5 x 77.7
055950		21-29	12.2 x 6.2	0.7-2	20	20.8	7	44.5 x 20 x 75.5
248743		9.6-10.2	12.1-12.3 x 6.1-6.3	0.6-3	22.4 x 16.4	17.7	3-5.4	22.4 x 16.4 x 35

# TUBE HOLDER FOR CORRUGATED HOSE

1 HOUSING - OBLONG HOLE MOUNT WITH OFF-SET

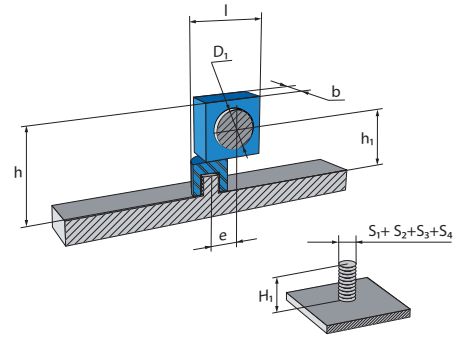


All dimensions in mm / Other dimensions and variants on request.

Ref.	Design	D1	L1 x R1	F1	h1	hb	e	l x b x h
207846		9.5	12.2 x 6.2	1.85-2.05	2.5	8	34.72	27.4 x 35 x 88.8

# TUBE HOLDER FOR CORRUGATED HOSE

## 1 HOUSING - THREADED STUD MOUNT WITH OFF-SET

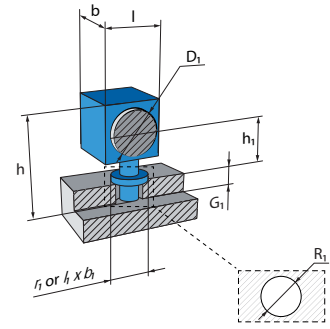


All dimensions in mm / Other dimensions and variants on request.


Ref.	Design	D1	H1	S	h1	e	l x b x h
017620		6.8-7.4	9-16	T5 Stud	10	8	19.33 x 10 x 18
249151		13.3-16.1		T5 Stud + T6 Stud + M5 x 0,80 + M6 x 1,00	13.6	18	43 x 10 x 28.7
017528		15.5-16.1	9-16	T5 Stud	9.3	11.85	27.83 x 20 x 22
056969		16		T5 Stud	17	15.5	39.27 x 15 x 49.64
249152		18-21.4		M5 x 0,80 + M6 x 1,00 + T5 Stud + T6 Stud	16.5	21	44.5-47.1 x 10 x 34.3-36.4
017790		31-31.8	9-16	T5 Stud	20.3	20.5	50 x 20 x 38

# TUBE HOLDER FOR CORRUGATED HOSE

1 HOUSING - CAVITY MOUNT - BLIND ROUND HOLE

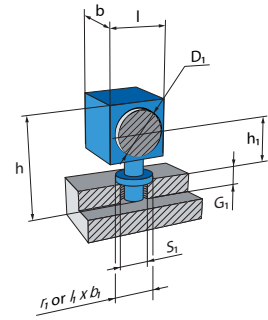


All dimensions in mm / Other dimensions and variants on request.

Ref.	Design	D1	R1	G1	r1 or l1 x b1	h1	l x b x h
190023		12.9;11.5	6-6.1	11	12	21	30.88 x 12 x 33.78

# TUBE HOLDER FOR CORRUGATED HOSE

1 HOUSING - CAVITY MOUNT - THREADED HOLE

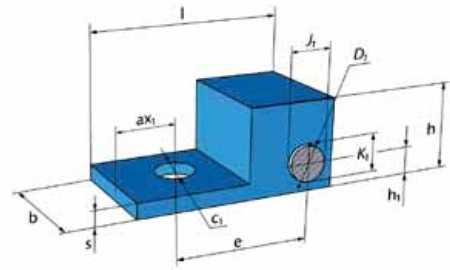


All dimensions in mm / Other dimensions and variants on request.

Ref.	Design	D1	G1	S1	r1 or l1 x b1	h1	l x b x h
108125		11;13	15	M10 x 1,50	15	10-11	31.2 x 15 x 47.5
108135		16-20	16	M10 x 1,50	15	15.5	38.2 x 15 x 54.2

# TUBE HOLDER FOR CORRUGATED HOSE

1 HOUSING - MOUNTING WITH OTHER ELEMENTS WITH OFF-SET - 1 HOLE

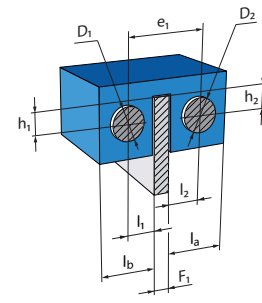


All dimensions in mm / Other dimensions and variants on request.


Ref.	Design	D1	J1 x K1	c1	e	ax1	h1	s	l x b x h
020463		6.8-11.7	11.4 x 17.5	10.5	18	10	9.3	0.5	36.2 x 20 x 25.8
020461		6.8-11.7	11.4 x 17.5	12.5	18	10	9.3	0.5	36.2 x 20 x 25.8
017186		7.1		8.5	17.5	7.5	9.8	0.5	29.8 x 16 x 15.2

# TUBE HOLDER FOR CORRUGATED HOSE

2 HOUSINGS - EDGE MOUNT - OPPOSITE SIDES

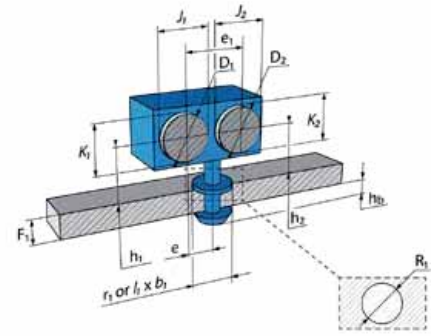
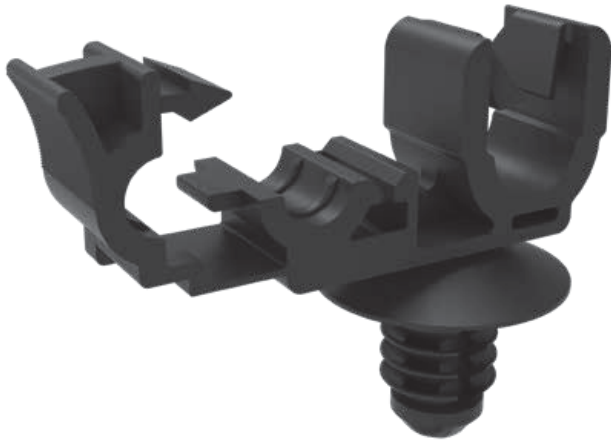


All dimensions in mm / Other dimensions and variants on request.

Ref.	Design	D1	F1	D2	la	lb	h1	h2	e1
020862		9.2-9.9	2.85-3.15	9.2-9.9	10.2	10.2	5	4.2	13

# TUBE HOLDER FOR CORRUGATED HOSE

2 HOUSINGS - ROUND HOLE MOUNT

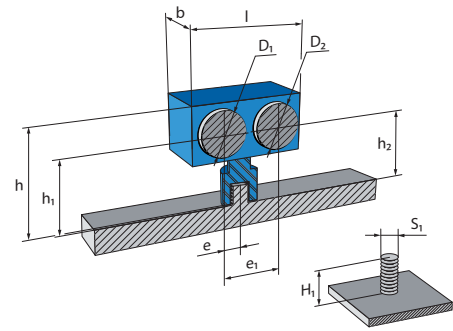


All dimensions in mm / Other dimensions and variants on request.



Ref.	Design	D1	D2	R1	F1	r1 or l1 x b1	h1	h2	e1	e	hb
248119		6.2	4.3	6.35	1.3	16.03	17.84	17.84	15	11.26	20.9
230771		28.2-29.2	14.5	6.58-6.8	2-3	21	29.4			35.3	6.5

# TUBE HOLDER FOR CORRUGATED HOSE

2 HOUSINGS - THREADED STUD MOUNT

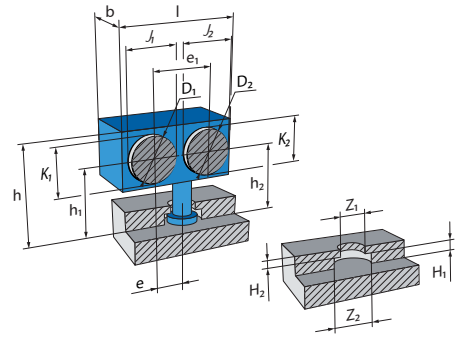


All dimensions in mm / Other dimensions and variants on request.


Ref.	Design	D1	D2	H1	S1	h1	h2	e1	e
249155		18-21.4	18-21.4		M5 x 0,80	16.5	16.5	42	21
020627		25.1-25.9	16-16.5	9-16	T5 Stud	17	10.5	30.5	17.5

# TUBE HOLDER FOR CORRUGATED HOSE

2 HOUSINGS - CAVITY MOUNT - T-SHAPE CAVITY

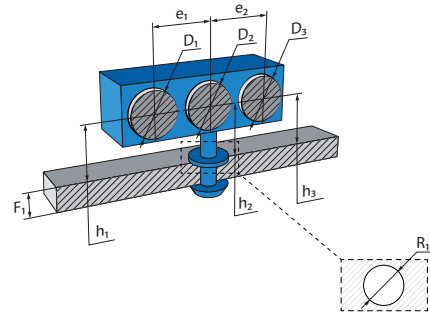


All dimensions in mm / Other dimensions and variants on request.

Ref.	Design	D1	H1	Z1	D2	H2	Z2	h1	h2	e1	e
131557		24.1	2.7	25.1-25.5	18.5	2.6-3	17.7	21.1	18.4	26.5	35

# TUBE HOLDER FOR CORRUGATED HOSE

3 HOUSINGS - ROUND HOLE MOUNT

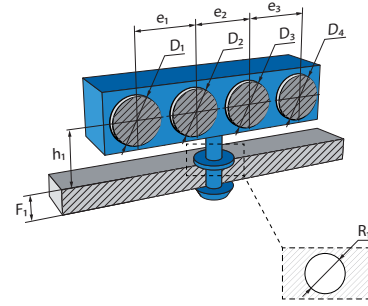


All dimensions in mm / Other dimensions and variants on request.


Ref.	Design	D1	R1	F1	D2	D3	h1	h2	h3	e1	e2
234777		3-16	8.9-9.1	1.6-6	4	4	23	17.3	17.3	25	6.1
108456		6	8.1-8.3	0.8-2	21	13	12.4	20	17	23.7	27
222511		7.1	6.3-6.7	2.9-3.1	8	8	14.2	14.2	14.2	18	12
224262		12.9	6.5	1-3	8	8	13.9	16	16	17.25	12
056663		7;4.8	6.35-6.55	0.7-2.5	7;4.8	13.4;7	10	10	9.3	16.2	12.8

# TUBE HOLDER FOR CORRUGATED HOSE

4 HOUSINGS - ROUND HOLE MOUNT

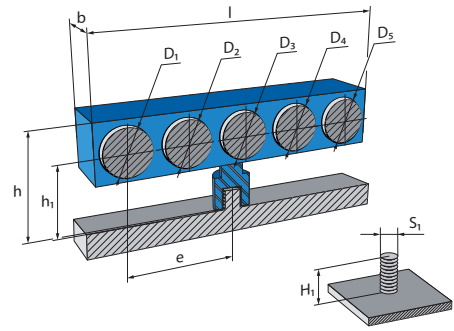


All dimensions in mm / Other dimensions and variants on request.


Ref.	Design	D1	R1	F1	D2	D3	D4	h1	e1	e2	e3
238978		3-16	8.9-9.1	1.6-6	4	4	7.1	23	25	6.1	10

# TUBE HOLDER FOR CORRUGATED HOSE

5 HOUSINGS - THREADED STUD MOUNT

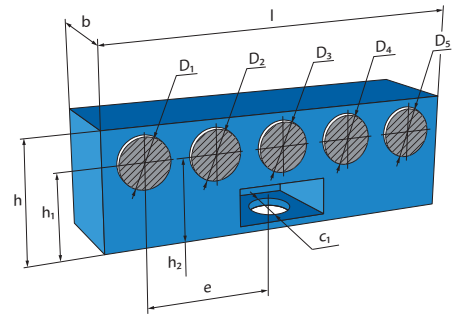
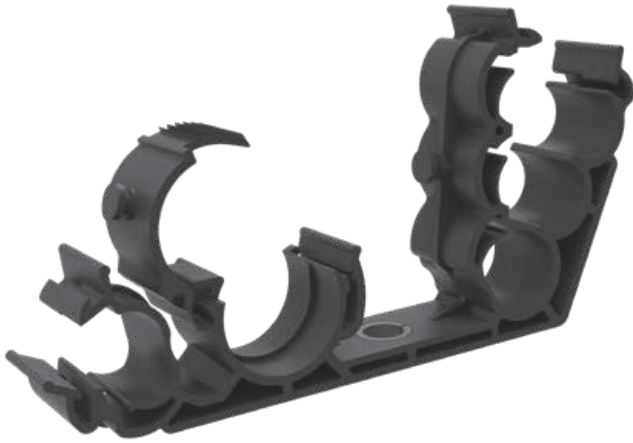


All dimensions in mm / Other dimensions and variants on request.


Ref.	Design	D1	H1	S1	D2	D3	D4	D5	h1	e	l x b x h
056864		8-10	16	T5 Stud	8	8	9.5	21.2-25	10	31.5	82.9 x 24 x 52.6

# TUBE HOLDER FOR CORRUGATED HOSE

5 HOUSINGS - MOUNTING WITH OTHER ELEMENTS



All dimensions in mm / Other dimensions and variants on request.

Ref.	Design	D1	D2	D3	D4	D5	h1	h2	h3	h4	h5	e	e1	e2	e3	e4	c1	s	l x b x h
227190		11-13	25.1-25.9	15-17	12-15	12-15	11.1	18	14.1	29.1	43.3	59.2	30.2	58.6	10.5	9.9	8.8	5	139.4 x 20 x 70.4



# SPACERS



**2 HOUSINGS**

Tube mount..... p.278  
 Tube mount - swiveling..... p.286  
 T-shape cavity mount..... p.320  
 T-shape stud mount ..... p.321

**3 HOUSINGS**

Tube mount..... p.322  
 Tube mount - swiveling..... p.325  
 T-shape stud mount ..... p.330

**4 HOUSINGS**

Tube mount ..... p.331

**5 HOUSINGS**

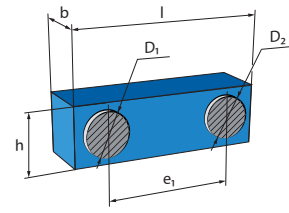
Tube mount..... p.333

**MORE THAN 5 HOUSINGS**

Tube mount..... p.334

# SPACER

## 2 HOUSINGS - TUBE MOUNT



All dimensions in mm / Other dimensions and variants on request.












Ref.	Design	D1	D2	e1	l x b x h
014783		4	8	10	21.5 x 12 x 33
018524		4.3-5.2	4.3-5.2	13-15	22.1 x 10 x 10.75
248433		4.68-4.84	4.68-4.84	12	25.4 x 15 x 14
205717		4.7-5.2	4.7-5.2	18	27 x 20 x 9
012583		4.75	4.75	6.3	13 x 12 x 7.6
205718		4.75	4.75	9	18 x 20 x 9
014629		4.75	6.2	7.6	19 x 10 x 29.4
016872		4.75	7.4	7.6	19.1 x 10 x 29.5

# SPACER

## 2 HOUSINGS - TUBE MOUNT

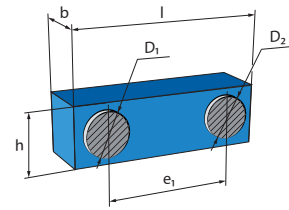


All dimensions in mm / Other dimensions and variants on request.

Ref.	Design	D1	D2	e1	l x b x h
202339		4.75-5.2	4.75-5.2	7	13 x 12 x 7.6
110013		5	5	12	22 x 10 x 10
054983		5-8	13-16	11	
164743		5.19-5.28	5.19-5.28	10.5	22.8 x 17 x 15.1
249571		5.2	5.2	10.5	22.8 x 17 x 15.1
055776		6	6	8.5	21.9 x 15 x 15.7
131217		6	6	8.6	23.5 x 15 x 11.9
016983		6	6	12	22.6 x 8 x 13
239286		6	6	21.25	30.91 x 23.3 x 10.15
055493		6	6	22	31 x 6 x 10
016059		6-6.4	9.8-10.7	13	24.75 x 19 x 16.1

# SPACER

## 2 HOUSINGS - TUBE MOUNT



All dimensions in mm / Other dimensions and variants on request.

Ref.	Design	D1	D2	e1	l x b x h
012968		6-6.5	8-8.5	11.6	19 x 12 x 12.3
053760		6-7	6-7	7.7	16.4 x 8 x 9.45
003071		6-7	8-9	8.2-9.2	
012414		6-7	8-9	8.7	18.4 x 8 x 12.1
015467		6.2-6.4	4.75	7.6	31.4 x 11.5 x 32.15
248431		6.27-6.43	6.27-6.43	12	27.2 x 15 x 15.5
201586		6.35	6.35	8.6	24.2 x 15 x 13.6
016751		6.5	12	11	32.2 x 10 x 18
017420		7	7	8.5	19.5 x 8 x 12.5

# SPACER

## 2 HOUSINGS - TUBE MOUNT

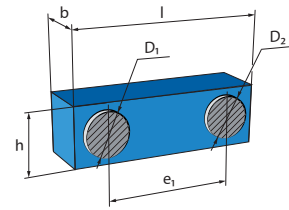


All dimensions in mm / Other dimensions and variants on request.

Ref.	Design	D1	D2	e1	l x b x h
238656		8	8	16.1	
233697		8	8	18.25-20.25	
222508		8	8	24.25-25	33 x 8 x 14.25
247503		8	12	17.4	33.5 x 20 x 20
245936		8	12	20	47 x 25 x 15
019933		8	19	20.5	37.5 x 18.55 x 26.6
246710		8	19.15	24	50.2 x 12 x 25
054358		8-9	8-9	12	23 x 8 x 14.3
054752		8-10	5-8	8.3-11.3	18.4 x 8 x 18.4
243987		8.85-9.15	16-18	15	46.6 x 30 x 18
206476		9-11	9-11	19	29.7 x 12 x 16.5

# SPACER

## 2 HOUSINGS - TUBE MOUNT



All dimensions in mm / Other dimensions and variants on request.












Ref.	Design	D1	D2	e1	l x b x h
231129		9.5	12	17.5	43 x 15 x 28.8
204417		9.5	15.9	18	42.45 x 12 x 59.05
204416		9.5	19	24.85	50.87 x 12 x 70.57
204418		9.5	19	24.85	50.87 x 21.5 x 70.57
204419		9.53	15.9	18	42.45 x 21.5 x 59.05
249567		9.92	9.92	20	41.2 x 15 x 16.5
249575		9.92	12.7	20	41.1 x 15 x 22.2
012738		10	10	12.1	25.7 x 10 x 15.3
061189		10	10	16	31 x 20 x 9.5

# SPACER

## 2 HOUSINGS - TUBE MOUNT

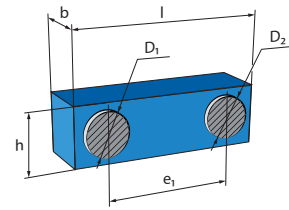


All dimensions in mm / Other dimensions and variants on request.

Ref.	Design	D1	D2	e1	l x b x h
020330		10-12	5-8	11.8	22.3 x 8 x 25
014323		10.5	10.5	16	66 x 12 x 8
224623		10.7-10.8	16.75-17.4	21	40 x 11.9-12.1 x 40
213453		10.8	8.8	11	28.5 x 12 x 11.05
018900		12	12	18	34 x 10 x 16.5
018432		12	12	29.8	63 x 15 x 67.5
210663		12	12	30	60.2 x 16 x 45.6
245746		12-14.5	4.3-5	12	28.38 x 10 x 23.75
017921		12.5-13	9.5-10	11.4	22.6 x 12 x 14.3
110061		13	13	20	60 x 13 x 23
200419		13.5-15.5	9-10	11.2	22.8 x 12 x 18.2

# SPACER

## 2 HOUSINGS - TUBE MOUNT



All dimensions in mm / Other dimensions and variants on request.









Ref.	Design	D1	D2	e1	l x b x h
229816		14	14	18	89.6 x 15 x 20
016893		14-15	21.5-23	21.5	45.5 x 18 x 30.2
224193		14.5	4.4	15	27.7 x 10.5 x 21.3
018725		15-17	6-6.5	18.4	44 x 12 x 40
250364		16-18	36	30	46 x 10 x 52
019613		16.5-21	16.5-21	20	38.5 x 11 x 20.1
003250		17	20.5	21.25	
253573		19.15	9.55	24.2	50.7 x 12 x 25.5
110016		19.5-21.5	19.5-21.5	26	52.5 x 12 x 29

# SPACER



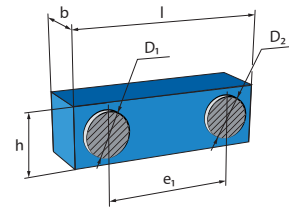
## 2 HOUSINGS - TUBE MOUNT

All dimensions in mm / Other dimensions and variants on request.

Ref.	Design	D1	D2	e1	l x b x h
018773		20-24.5	9-10	23-25	44.1 x 10 x 28.5
060202		21-25	21-25	26	54 x 20 x 23
017825		21.9-22.1	21.9-22.1	28.6	51.2 x 16 x 26
201424		25	19-19.5	40	80.8 x 15 x 32.5
018681		25	25	30	66 x 14 x 58.2
020757		27	11-13	30	57.2 x 20 x 64.2
019950		27	27	29.5	135.5 x 20 x 47
016448		39	39	52	97 x 16 x 71.1

# SPACER

## 2 HOUSINGS - TUBE MOUNT - SWIVELING







All dimensions in mm / Other dimensions and variants on request.

Ref.	Design	D1	D2	e1	l x b x h
235843		17;21	23.1-23.3	33.5	97.5 x 20 x 41
060747		4-4.8	9.5-10.5	17	28 x 10 x 16
245234		4.3-5.2	4.3-5.2	14.5	21.7 x 10 x 9.3
219713		4.3-5.2	4.3-5.2	31	38.42 x 10 x 9.3
080905		4.3-5.2	6-6.5	15	24 x 10 x 11.5
081751		4.3-5.2	6-6.5	16	25.3 x 10 x 11.5
168791		4.3-5.2	8-9	16	26.15 x 10 x 14
081732		4.3-5.2	9.6-10.2	16.95	27.6 x 15 x 14.6



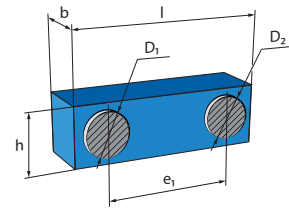
## 2 HOUSINGS - TUBE MOUNT - SWIVELING

All dimensions in mm / Other dimensions and variants on request.

Ref.	Design	D1	D2	e1	l x b x h
081626		4.3-5.2	11-13	18.5	29.7 x 10 x 18
200127		4.3-5.2	12.6-13.2	18.5	30.26 x 15 x 18.25
237626		4.3-5.2	13-14	19	31.7 x 10 x 22.5
244248		4.3-5.2	20-22	23	44 x 10 x 24
215963		4.5	8-9	21.5	33 x 10 x 14
212145		4.5	10-12	20.05	52.25 x 10 x 14
216513		4.5	11	18.5	35.21 x 10 x 25.5
201933		4.5	22-24	26	55.2 x 12 x 32.34
100367		4.5-6	4.5-6	17.1	26.1 x 11 x 11.9
060643		4.8-5.2	4-4.8	14.15	21.4 x 10 x 9.5
132762		4.8-5.2	9.5-11	18.9	29.2 x 10 x 16

# SPACER

## 2 HOUSINGS - TUBE MOUNT - SWIVELING



All dimensions in mm / Other dimensions and variants on request.

Ref.	Design	D1	D2	e1	l x b x h
060808		4.8-5.2	10-16	20.7	43.35 x 10 x 33.75
060881		4.8-5.2	18-20	20.7	34.8 x 12 x 30
061167		4.8-5.2	23-30	29.5	59.55 x 10 x 53
210249		5-6	12.5-14.5	26.5	61 x 14 x 36.2
100388		5-6	13-15	22.3	65.4 x 14 x 36.2
061075		5-10	18-20	24-28	42.5 x 12 x 25
100675		5.5-7	5.5-7	16	27.8 x 11 x 11.7
224753		5.5-7	15.5-17.5	20.5-22.2	38.9 x 12 x 23.5
081083		6-6.5	6-6.5	16.5	27.5 x 8 x 11.5



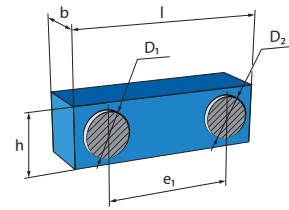
## 2 HOUSINGS - TUBE MOUNT - SWIVELING

All dimensions in mm / Other dimensions and variants on request.

Ref.	Design	D1	D2	e1	l x b x h
061781		6-6.5	6-10	20.69	30.5 x 11.5 x 17.5
060766		6-6.5	9.5-10.5	18.15	29.65 x 10 x 16
080445		6-6.5	9.5-10.5	18.25	30.1 x 10 x 16
082513		6-6.5	10-12	20.5	33 x 10 x 16
060657		6-6.5	11-13	19	31.2 x 10 x 18
081005		6-6.5	14-15	20.5	35 x 10 x 21.5
211665		6-6.5	14-16	20	34.28 x 10 x 22
060728		6-6.5	18-20	22.5	41.28 x 12 x 22
245658		6-6.5	20-22	23.3	46 x 10 x 24
214281		6-6.5	22-24	34.5	52.46 x 12 x 30.98
060824		6-6.5	29-33	28	55 x 12 x 36.6

# SPACER

## 2 HOUSINGS - TUBE MOUNT - SWIVELING



All dimensions in mm / Other dimensions and variants on request.

Ref.	Design	D1	D2	e1	l x b x h
250650		6-6.5	48-53	38.7	71.8 x 12 x 65
234203		6-7	5-6	17.3-18.3	29.8 x 11 x 24.1
131991		6-10	15-16	22.5	39.5 x 10 x 21.5
190012		6-10	16-22	25.2	47.25 x 10 x 45.5
239339		6-10	22-24	28.3	68.7 x 20 x 41.02
060722		6-10	23-30	33.38	73.45 x 10 x 45.5
208734		6-10	39-45	33.5	63 x 10 x 53.5
081902		6.8-7.4	18-20	21.55	38.8 x 12 x 26
100494		7-8	4.5-6	15.7-17	27.7 x 11 x 23

# SPACER



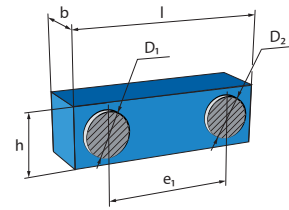
## 2 HOUSINGS - TUBE MOUNT - SWIVELING

All dimensions in mm / Other dimensions and variants on request.

Ref.	Design	D1	D2	e1	l x b x h
190037		7.2-7.5	16-18	22	39.1 x 12 x 23
100358		7.5-9	4.5-6	18.5	29.7 x 11 x 14.3
100786		7.5-9	6-7.5	16.7-18.2	29.6 x 11 x 14.3
100063		7.5-9	7.5-9	17.5-19	31.5 x 11 x 14.3
238895		7.5-9	9-10.5	18.2-19.7	33.3 x 11 x 15.8
100637		7.5-9	15.5-17.5	21.7-23.4	40.4 x 12 x 23.5
100582		7.5-9	19.5-21.5	24	44.5 x 12 x 26.9
253749		7.5-10.2	24-26	26.5	56 x 15 x 36
260869		7.8-8.5	7.8-8.5	17.7	28 x 12 x 17
232698		8	5-6	16.5-17	38.7 x 12 x 24.9
207449		8	8-11	18-21	57.3 x 14 x 22.9

# SPACER

## 2 HOUSINGS - TUBE MOUNT - SWIVELING














All dimensions in mm / Other dimensions and variants on request.

Ref.	Design	D1	D2	e1	l x b x h
222507		8	13	22.8-24.2	34 x 14 x 22
233696		8	14.5	21.75-23.75	
215969		8-9	4.3-5.2	26	35.41 x 10 x 13.5
061858		8-9	8-9	20.5-21.5	31.7 x 8 x 13.5
060696		8-9	9.5-10.5	19	31.65 x 10 x 16
060942		8-9	11-13	20	33 x 10 x 17.98
168832		8-9	11-13	20	33.2 x 10 x 17.5
237048		8-9	16-18	39	54.7 x 12 x 23
060678		8-9	18-20	23.5	43 x 12 x 22



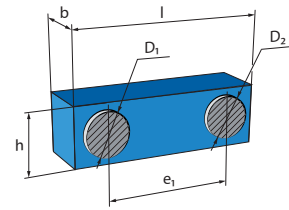
## 2 HOUSINGS - TUBE MOUNT - SWIVELING

All dimensions in mm / Other dimensions and variants on request.

Ref.	Design	D1	D2	e1	l x b x h
211536		8-9	22-24	27.5	51.6 x 12 x 30
082501		8-9	34-36	32	58.7 x 10 x 47
247529		8-9	39-41	58.5	90 x 16 x 53
216702		8-11	7.5-9	21.3	46.3 x 14 x 22.9
207436		8-11	17.5-19		56.9 x 14 x 27.2
247026		8-11	40-50	17.2	79.6 x 14 x 85.8
241184		8.5-10	25-32	29.7-34	56.6 x 11 x 50.5
168852		9-9.5	4.3-5.2	16	34 x 10 x 15
100042		9-10	6-7.5	17.5-18.7	31.4 x 11 x 15.8
100673		9-10.5	5-6	24.9	57.9 x 14 x 36.2
203075		9-10.5	8.5-10	18.7	33.9 x 11 x 15.8

# SPACER

## 2 HOUSINGS - TUBE MOUNT - SWIVELING



All dimensions in mm / Other dimensions and variants on request.

Ref.	Design	D1	D2	e1	l x b x h
100609		9-10.5	12.5-14.5	21.2	38.3 x 11 x 20.1
100096		9-10.5	14-16	21.7-23.4	40.2 x 12 x 21.4
100782		9-10.5	15.5-17.5	23	42.2 x 12 x 23.5
200881		9.5-10.5	6-6.5	18.15	31 x 13.2 x 17.7
200020		9.5-10.5	8-9	19	32.75 x 12 x 17.62
247657		9.5-10.5	9.5-10.5	57.65	71.15 x 10 x 16
240534		9.5-10.5	12.9	22	51.1 x 15 x 17.2
081085		9.5-10.5	13-14	21.75	38 x 10 x 22.5
216973		9.5-10.5	14-16	22.15	21 x 12 x 39

# SPACER



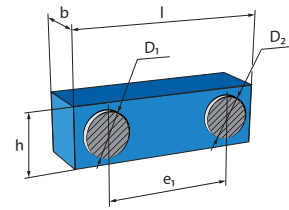
## 2 HOUSINGS - TUBE MOUNT - SWIVELING

All dimensions in mm / Other dimensions and variants on request.

Ref.	Design	D1	D2	e1	l x b x h
060648		9.5-10.5	14.5-16	22.15	38.5 x 10 x 22
155196		9.5-10.5	15-16	22.3	34.5 x 10 x 20
222029		9.5-10.5	16-18	23.8	40.55 x 12 x 23.5
243869		9.5-10.5	16-18	40.3	60 x 12 x 22
060649		9.5-10.5	18-20	23.65	25 x 12 x 41.65
221525		9.5-10.5	18-20	33.5	52.5 x 12 x 24
259383		9.5-10.5	18-20	40.25	59 x 12 x 26
080499		9.5-10.5	19-24.5	24.35	43 x 12 x 28
204898		9.5-10.5	25-27	28.65	55.15 x 12 x 31
227654		9.5-10.5	25-27	29.15	55.65 x 12 x 32
060677		9.5-11	9.5-10.5	21.5	36.2 x 10 x 16

# SPACER

## 2 HOUSINGS - TUBE MOUNT - SWIVELING



All dimensions in mm / Other dimensions and variants on request.

Ref.	Design	D1	D2	e1	l x b x h
129470		9.5-11	11-13	23	37.5 x 10 x 18
240106		9.6-10.2	16-22	25	45.5 x 14.6 x 47
247823		9.8-10	8-9	24.3	55.2 x 10 x 47.7
246656		10-12	6-10	23	43 x 25.5 x 10
238172		10-12	10-12	32.5	48.5 x 10 x 16
081098		10-12	14-15	24.5	41 x 10 x 21.5
243851		10-12	16-18	42	59 x 12 x 23
248124		10-14	4.3-5.2	17.6	33 x 10 x 34.4
248478		10-14	10-14	48.2	69.3 x 9.2 x 34.4

# SPACER



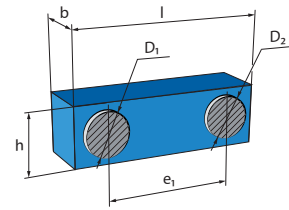
## 2 HOUSINGS - TUBE MOUNT - SWIVELING

All dimensions in mm / Other dimensions and variants on request.

Ref.	Design	D1	D2	e1	l x b x h
245989		10-14	10-14	63	84 x 34 x 9.2
248287		10-14	16-18	42.5	67.2 x 12 x 34.4
207759		10.5-11	42-45	39	74.8 x 14 x 48
243305		10.5-12.5	4.5-6	19.5-21.2	32.9 x 11 x 18.2
100099		10.5-12.5	14-16	22.4-24.4	41.8 x 12 x 21.4
100371		10.5-12.5	14-16	22.8	41.5 x 12 x 21.4
168963		11-13	9.5-10.5	20.8	35 x 10 x 18
231395		11-13	9.5-10.5	44.3	58.5 x 10 x 17.5
081119		11-13	11-13	21.5	36.5 x 10 x 18
061408		11-13	11-13	21.5	40 x 10 x 22.5
060710		11-13	11-13	21.5-23.5	36.5 x 10 x 17.5

# SPACER

## 2 HOUSINGS - TUBE MOUNT - SWIVELING














All dimensions in mm / Other dimensions and variants on request.

Ref.	Design	D1	D2	e1	l x b x h
061649		11-13	13-14	22.5	38.5 x 11 x 20
060814		11-13	15-16	23.2-24.7	40.2 x 10 x 21.5
129763		11-13	16-18	26	47.75 x 13 x 22
236473		11-13	16-24	28.9	57.7 x 10 x 44.9
060682		11-13	18-20	23.2	42.5 x 12 x 25.25
081760		11-13	18-20	31	50.5 x 12 x 26
100471		11-13	50-60	40.5-46.5	85.7 x 11 x 89.6
201517		11-22	3-13	43.5	86.85 x 16.5 x 50
241339		11.5-13	22-24	29.1	60 x 20 x 32



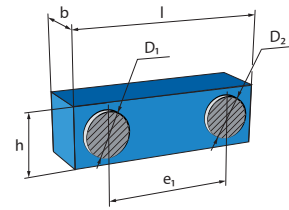
## 2 HOUSINGS - TUBE MOUNT - SWIVELING

All dimensions in mm / Other dimensions and variants on request.

Ref.	Design	D1	D2	e1	l x b x h
152242		12-14	12-14	19	35 x 10 x 19.5
241303		12.5	19-21	28.8	81.4 x 20 x 38
254642		12.5-13	8-9	24.5	42 x 10 x 24.3
100177		12.5-14.5	4.5-6	20.5-22.2	35 x 11 x 20.2
100149		12.5-14.5	6-7.5	19.2-21	34.9 x 11 x 20.2
231420		12.5-14.5	12.5-14.5	22.5-24.5	41.9 x 11 x 20.2
226424		12.5-14.5	21.5-23.5	27-29	51.3 x 12 x 30.2
225861		13	6-6.5	22	53.64 x 20 x 20.1
224877		13	7.5	23	69.15 x 20 x 20.1
211525		13-14	6-10	38.5	54.5 x 10 x 22.5
258879		13-14	9.5-10.5	21.7	37 x 10 x 22.5

# SPACER

## 2 HOUSINGS - TUBE MOUNT - SWIVELING



All dimensions in mm / Other dimensions and variants on request.

Ref.	Design	D1	D2	e1	l x b x h
244575		13-14	12-13	23.5	47 x 10 x 18
061000		13-14	13-14	19.3	36.3 x 10 x 20
061012		13-14	20-22	26.9	50.7 x 12 x 23
221576		13-14	23-30	34.8	72.75 x 10 x 52.8
061290		13-14	29-33	31.8	62 x 12 x 36
218270		13-15.95	22-24	30.6	89.6 x 20 x 41
221240		14-15	19-21	28.45	53.88 x 20 x 33.4
135063		14-15	33-35	36.25	103.9 x 16 x 59.3
235186		14-15	38-45	37.7	87 x 15 x 62



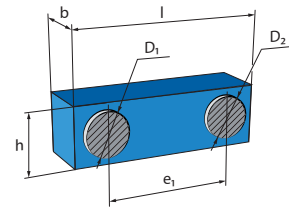
## 2 HOUSINGS - TUBE MOUNT - SWIVELING

All dimensions in mm / Other dimensions and variants on request.

Ref.	Design	D1	D2	e1	l x b x h
229031		14-15	39-41	38.7	111 x 16 x 68
252225		14-15	39-41	38.7	69.55 x 16 x 53.55
100078		14-16	6-7	22.7-24.2	38.2 x 12 x 21.4
100076		14-16	14-16	24-26	45.2 x 12 x 21.4
215943		14-16	15-16	24.5	43 x 10 x 21.5
100245		14-16	15.5-17.5	24.7-26.7	47.3 x 12 x 23.5
061828		14-16	18-20	26	46 x 12 x 25
100363		14-16	20-25	30-33.5	57.2 x 12 x 44
244877		14-18.5	20-21.5	27.5-30.5	88.8 x 15 x 35.5
234245		14.5	9.5	23.25	50 x 12 x 20.75
233699		14.5	14.5	25.5-27.5	

# SPACER

## 2 HOUSINGS - TUBE MOUNT - SWIVELING










All dimensions in mm / Other dimensions and variants on request.

Ref.	Design	D1	D2	e1	l x b x h
241968		14.5	22	30.25	50 x 12 x 12
221034		15-16	9.5-10.5	32.15	49.65 x 10 x 22.5
226027		15-16	9.5-10.5	46	63.15 x 10 x 22.5
168815		15-16	11-13	23	40 x 10 x 21.5
061029		15-16	15-16	21	40 x 10 x 21.5
225674		15-16	15-16	41	61 x 10 x 22.5
060686		15-16	23.5-25	28.2	33.54 x 12 x 57.6
225976		15-16	26-28	29.9	62.7 x 12 x 40
247699		15-16	28-30	31.5-33	63.5 x 12 x 40.2



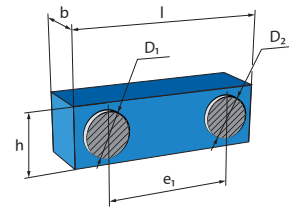
## 2 HOUSINGS - TUBE MOUNT - SWIVELING

All dimensions in mm / Other dimensions and variants on request.

Ref.	Design	D1	D2	e1	l x b x h
060729		15-17	14-16	24.5	43 x 10 x 21.5
238803		15-20	6-7.5	23.8-27	43.5 x 11 x 40
100054		15-20	15-20	28.5-33.5	55.7 x 11 x 40
211473		15-20	17.5-19.5	30.2-33.7	56.2 x 12 x 40
233907		15-20	23.5-25.5	29.2-32.7	58.5 x 12 x 40
236019		15.5-17.5	15.5-17.5	25.5-27.5	48.9 x 12 x 23.5
214055		15.5-17.5	17.5-19.5	26.5-28.5	50.9 x 12 x 25.4
219500		16-18	8-9	24	44.7 x 10 x 36.3
201860		16-18	9	22.5	43 x 12 x 22
235484		16-18	9.6-10.2	24.5	54.55 x 15 x 23
081425		16-18	16-18	27	50 x 12 x 23

# SPACER

## 2 HOUSINGS - TUBE MOUNT - SWIVELING



All dimensions in mm / Other dimensions and variants on request.

Ref.	Design	D1	D2	e1	l x b x h
061632		16-18	22-24	29	55 x 12 x 29
236229		16-18	22-24	31.3	74.2 x 20 x 41.02
152326		16-18	29-31	34	61.5 x 12 x 40
225030		16-18	34-36	36.5	70.5 x 12 x 47
219436		16-22	6-10	35	57.26 x 10 x 45.52
201593		16-22	10-12	23.7	47.3 x 10 x 45.5
201594		16-22	15-16	25.2	50.3 x 10 x 45.5
238906		17	16-18	28.3	63.1 x 20 x 35.1
229413		17	17	36.6	86.2 x 20 x 35.1

# SPACER



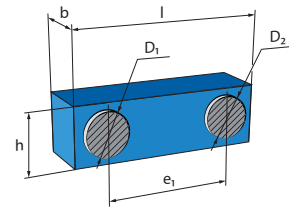
## 2 HOUSINGS - TUBE MOUNT - SWIVELING

All dimensions in mm / Other dimensions and variants on request.

Ref.	Design	D1	D2	e1	l x b x h
100252		18	10.5-12.5	24.2-25.2	45.5 x 12 x 25.4
242108		18	30-40	34-39	85.4 x 12 x 52.7
221956		18-20	5.1-5.2	23.5	51.2 x 12 x 26
222509		18-20	7.1	22.5	69 x 20 x 38
218903		18-20	7.5-8	23	45.5 x 12 x 25
253008		18-20	9.5-10.5	57.3	75.3 x 12 x 27
060662		18-20	14-16	26	50 x 12 x 25.25
168914		18-20	14.5-15.5	26.3	48 x 12 x 25
219416		18-20	16-24	31.9	64.2 x 12 x 44.9
060687		18-20	18-20	28	53 x 12 x 26
244523		18-20	20-24.5	44	67 x 12 x 28

# SPACER

## 2 HOUSINGS - TUBE MOUNT - SWIVELING



All dimensions in mm / Other dimensions and variants on request.

Ref.	Design	D1	D2	e1	l x b x h
246840		18-20	20.6-21.4	29	55 x 20 x 33
061073		18-20	22-24	30	54 x 12 x 29
061157		18-20	23-25	30-32	33 x 12 x 60.5
203172		18-20	26-33	33.25	67.04 x 12 x 37
060758		18-20	29-33	33.45	66.5 x 12 x 31.4
215475		18-20	38-45	38	81.5 x 12 x 62
060764		18-20	39-45	36.65-40.65	75 x 12 x 61.5
237632		18-24	9.8-10	29.6	56.6 x 20 x 34.5
245626		18-24	17	31.6	60 x 20 x 34



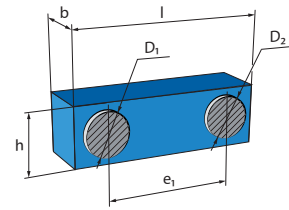
## 2 HOUSINGS - TUBE MOUNT - SWIVELING

All dimensions in mm / Other dimensions and variants on request.

Ref.	Design	D1	D2	e1	l x b x h
248744		18-24	25.1-25.9	34.5	66 x 20 x 38
201988		19	8	24	68.4 x 15 x 32
100392		19	19	29.5	83.1 x 15 x 32
206532		19	20-25	32.5-35	76 x 15 x 44
214671		19	41-47	40-43	98 x 15 x 64.6
218386		19-21	13-15.95	29.3	86.3 x 20 x 38
254300		19-21	16-18	29.3	61 x 20 x 31
201164		19-21	22-24	33.6	97.4 x 20 x 41
260500		19-21	25-28	35.8	72 x 20 x 40
228677		19.5-21.5	20-25	33.3-37	63.2 x 12 x 44
238958		19.5-21.5	25-32	35.8-40.3	69 x 12 x 50.5

# SPACER

## 2 HOUSINGS - TUBE MOUNT - SWIVELING














All dimensions in mm / Other dimensions and variants on request.

Ref.	Design	D1	D2	e1	l x b x h
100619		20-21.5	8	25-25.7	73.2 x 15 x 35.5
211061		20-21.5	10.5-12.5	25.7-27.5	65.3 x 15 x 35.5
208106		20-21.5	13-15	28.6-30.3	70.4 x 15 x 38.2
220411		20-21.5	14-16	27.5-29.5	68.8 x 15 x 35.5
225172		20-21.5	17.5-19.5	31.2-33	74.8 x 15 x 35.5
100457		20-21.5	20-21.5	33.5	94.5 x 15 x 35.5
225504		20-21.5	24	32.6-33.3	95.2 x 15 x 37
225925		20-21.5	50-60	45.8-51.5	112 x 15 x 89.6
061145		20-22	20-22	30	28 x 12 x 58



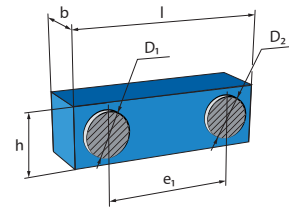
## 2 HOUSINGS - TUBE MOUNT - SWIVELING

All dimensions in mm / Other dimensions and variants on request.

Ref.	Design	D1	D2	e1	l x b x h
219973		20-22	22-24	33.1	61.5 x 20 x 33.3
060724		20-22	29-33	34.5	69.5 x 12 x 32
241747		20-24.5	3.5-6	23.8	48 x 10 x 30
255893		20-24.5	18-24	31.3	62 x 20 x 36
239956		20-24.5	33-38	38.8	99 x 16 x 59.3
249619		20-24.5	60-65	53.5	112 x 15 x 75
100448		20-25	13-15	29.7-33.2	56.8 x 11 x 44
100107		20-25	20-25	35-40	65.6 x 11 x 44
100427		20-25	50-60	48.5-56	100 x 11 x 89.6
245670		21.5-22.5	21.5-22.5	43	70 x 20 x 38
234299		21.5-22.5	33-38	41.5	74.45 x 20 x 48

# SPACER

## 2 HOUSINGS - TUBE MOUNT - SWIVELING



All dimensions in mm / Other dimensions and variants on request.

Ref.	Design	D1	D2	e1	l x b x h
220366		21.5-22.5	39-41	44	79.7 x 20 x 50
100121		21.5-23.5	7.5-9	24.5-26.2	49 x 12 x 30.2
100210		21.5-23.5	14-16	27.7-29.7	53.2 x 12 x 30.2
235586		22	22	32.5	68 x 12 x 30.4
235176		22-24	6.8-7.4	25.8	74.4 x 20 x 41
246588		22-24	8-9	29.3	50 x 20 x 35
247002		22-24	20-22	39.3	70 x 20 x 35
216264		22-24	22-24	42.6	108.4 x 20 x 41
230713		22-24	22-24	51	77 x 12 x 29



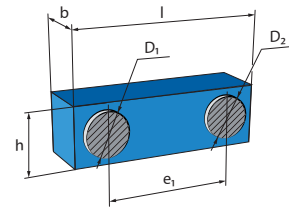
## 2 HOUSINGS - TUBE MOUNT - SWIVELING

All dimensions in mm / Other dimensions and variants on request.

Ref.	Design	D1	D2	e1	l x b x h
232199		22-24	23.5-25	34.6	86.5 x 20 x 43.75
237160		22-24	25	35.8	83.2 x 20 x 60.8
248107		22-24	25.1-25.9	42.5	70 x 20 x 38
262349		22-24	39-41	53.8	95 x 19.75 x 52
061777		22-24	39-45	40.5	76.5 x 12 x 53.5
244351		22-24	43	51.8	90 x 20 x 55
228628		22-26.5	7.5-9	27-30	71.9 x 15 x 41.5
212120		22-26.5	12.5-14.5	29.5-32.8	76.9 x 15 x 41.5
100605		22-26.5	13-15	29.5-32.7	78.5 x 15 x 41.7
240849		22-26.5	14-18.5	29-33.5	96.8 x 15 x 41.5
244055		22-26.5	15.5-17.5	31.2-34.5	80.7 x 15 x 41.5

# SPACER

## 2 HOUSINGS - TUBE MOUNT - SWIVELING



All dimensions in mm / Other dimensions and variants on request.

Ref.	Design	D1	D2	e1	l x b x h
212224		22-26.5	20-25	33.2-37.9	87 x 15 x 48.8
100634		22-26.5	22-26.5	40.3	110.3 x 15 x 41.5
225261		22-26.5	24	35-37.2	104.3 x 15 x 41.5
060868		22.5-23.5	38-45	41	88 x 12 x 61.5
060945		23.5-25	14-16	28.5	36 x 12 x 65
060637		23.5-25	23.5-25	33	33.5 x 12 x 73.5
100450		23.5-25.5	14-16	29.5	55.2 x 12 x 32.4
100192		23.5-25.5	23.5-25.5	33.5-35.5	64.9 x 12 x 32.4
100676		23.5-25.5	24	33.2-34.2	80.4 x 15 x 37.7



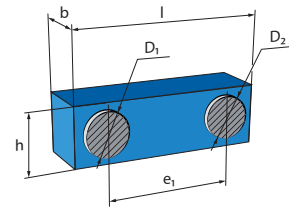
## 2 HOUSINGS - TUBE MOUNT - SWIVELING

All dimensions in mm / Other dimensions and variants on request.

Ref.	Design	D1	D2	e1	l x b x h
220452		24	19.5-21.5	32-33	77.5 x 15 x 37
100425		24	24	34.2	97 x 15 x 37.1
152032		24-25	27-29	37	69.5 x 12 x 41.5
190016		25	6-6.5	26	45.64 x 12 x 51.55
239863		25	14-15	30.7	68 x 15 x 55
240878		25	16-18	31	55 x 12 x 51
235956		25	33-38	41	101 x 16 x 73.1
227146		25	35-38	40.5	80.5 x 12 x 58.4
100574		25-26	21-23	36.1	101.6 x 25 x 41.5
100566		25-26.5	20-21.5	35.5-37	102.4 x 15 x 42.6
219489		25-27	11-13	30	59.5 x 12 x 31

# SPACER

## 2 HOUSINGS - TUBE MOUNT - SWIVELING



All dimensions in mm / Other dimensions and variants on request.

Ref.	Design	D1	D2	e1	l x b x h
228619		25-27	11.5-13	40	67 x 12 x 32
253009		25-27	14-15	38.1	70 x 15 x 32
254325		25-28	10-12	32	63 x 20 x 41
260508		25-28	18-20	33.5	65 x 20 x 40
259464		25-28	39-45	43.5	85 x 20 x 53.4
100415		25-32	7-8	29-33	56 x 11 x 39.3
225698		25-32	13-15	32-36.5	62.5 x 11 x 50.5
239454		25.1-25.9	8-9	45.8	68 x 20 x 32
247978		25.1-25.9	25-27	43.3	78 x 20 x 38



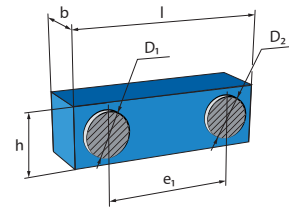
## 2 HOUSINGS - TUBE MOUNT - SWIVELING

All dimensions in mm / Other dimensions and variants on request.

Ref.	Design	D1	D2	e1	l x b x h
243167		25.1-25.9	39-41	43.8	129.2 x 20 x 66.9
100101		25.5-27.5	25.5-27.5	35.5-37.5	68.9 x 12 x 33.9
216745		26-28	6-6.5	26	54.5 x 12 x 40.5
210773		26-28	22	51	85.5 x 12 x 55
236155		27-29	22-26.5	35.1-38.3	90.5 x 15 x 42
244724		28.2-29.2	30-40	42.7-47.7	118.8 x 16 x 53.3
241658		30	40-50	24	132 x 22 x 79.5
247855		30-36	13-15	32.3-36.3	73 x 13.7 x 44.5
206306		30-40	8	29-34	84.5 x 12 x 52.6
100731		30-40	14-16	32-38	81.4 x 12 x 52.7
223087		30-40	22-26.5	38.3-45.5	114.8 x 15 x 56.1

# SPACER

## 2 HOUSINGS - TUBE MOUNT - SWIVELING



All dimensions in mm / Other dimensions and variants on request.

Ref.	Design	D1	D2	e1	l x b x h
226738		33-35	14-15	36.2	105 x 16 x 59.3
155187		33-35	23.2	42	118 x 20 x 43.5
257193		33-35	32-38	30.4	117.5 x 20 x 74.5
190027		38-45	14-15	36	69 x 10 x 54
219842		38-45	33-38	48	120 x 16 x 62
216558		39-41	4-4.5	33	87.19 x 16 x 66.92
236472		39-41	16-18	39.5	102.5 x 16 x 67
215299		39-41	16-22	40-43	105.22 x 16 x 66.92
215412		39-41	20-24.5	40.5	102.5 x 16 x 66.92



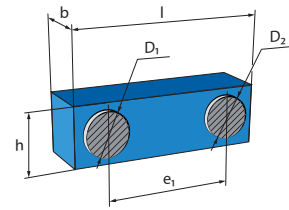
## 2 HOUSINGS - TUBE MOUNT - SWIVELING

All dimensions in mm / Other dimensions and variants on request.

Ref.	Design	D1	D2	e1	l x b x h
230811		39-41	25	43.5	107.5 x 16 x 78.2
243261		39-41	39-41	70	110 x 16 x 60
061327		39-45	11-13	35	65 x 10 x 28
248360		39-45	26-28	41.5	95 x 12 x 53.5
230003		39-45	28-31	44	89 x 12 x 53.5
207671		40-50	8	34-39	81.2 x 12 x 79.5
100607		40-50	11-13	10	75.5 x 11 x 79.5
100401		40-50	15-20	41-48.5	85 x 11 x 79.5
100152		40-50	20-25	43.4-50.9	89.9 x 11 x 79.5
232394		40-50	22-26.5	42.5-49.7	109.6 x 15 x 79.5
100398		40-50	40-50	50.5-60.5	110.7 x 11 x 83.7

# SPACER

## 2 HOUSINGS - TUBE MOUNT - SWIVELING



All dimensions in mm / Other dimensions and variants on request.






Ref.	Design	D1	D2	e1	l x b x h
227007		41-47	22-26.5	42.5-47.7	110.7 x 15 x 64.6
200277		41.5-44	14-16	41.2	77.4 x 14 x 52.4
231265		41.5-44	27-29	47.2-49.5	91.2 x 14 x 52.4
229727		43	33-35	50.5	140.4 x 16 x 67
100052		50-60	15-20	45.9-53.4	95 x 11 x 89.7
216766		50-60	20-23	45.3-51.8	96.8 x 11 x 89.7
100655		65-75	14.5	49.9-54.9	115.3 x 16 x 100.6
233395		65-75	22-26.5	55.9-63.1	135 x 15 x 100.6
237069		65-75	22-26.5	55.9-63.1	135 x 20.5 x 100.6

# SPACER



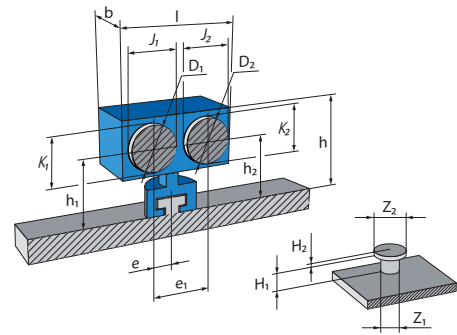
## 2 HOUSINGS - TUBE MOUNT - SWIVELING

All dimensions in mm / Other dimensions and variants on request.

Ref.	Design	D1	D2	e1	l x b x h
100350		70-80	15-20	55.8-63.3	112.4 x 11 x 103
200023		70-80	25.5-27.5	23	117 x 12 x 103
100646		80-90	7.5-9	53.7-59.5	108.2 x 11 x 113.3
207975		80-90	8	54-59	118.2 x 12 x 113.3
228290		80-90	25-32	65.9-74.4	132.6 x 11 x 113.3

# SPACER

## 2 HOUSINGS - T-SHAPE CAVITY MOUNT

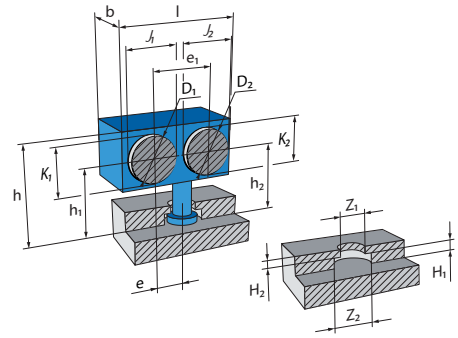


All dimensions in mm / Other dimensions and variants on request.

Ref.	Design	D1	D2	e1	l x b x h
100181		9-10.5	9-10.5	19-20.5	39 x 11 x 15.9
225260		22-26.5	20-21.5	33-36	93.6 x 15 x 50.1

# SPACER

## 2 HOUSINGS - T-SHAPE STUD MOUNT

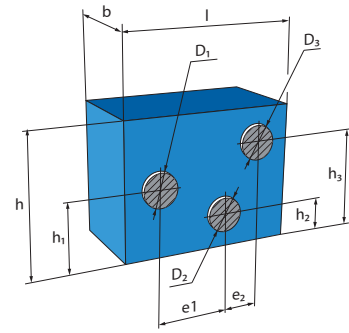
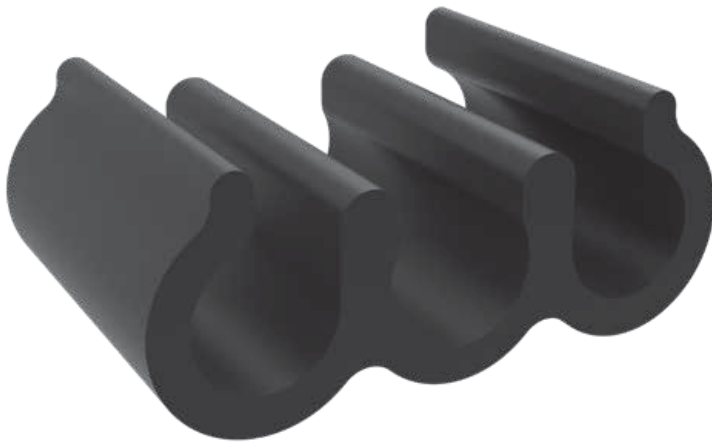


All dimensions in mm / Other dimensions and variants on request.

Ref.	Design	D1	D2	e1	l x b x h
100645		5.5-7	6-7.5	16.3	31.1 x 11 x 11.8
214300		8-11	21-23	29	77.8 x 25 x 38.1
225567		21-23	25-32	33-37.5	84 x 25 x 50.5
222311		21.5-23.5	23.5-25.5	32.5-34.5	62.8 x 12 x 34.2
236829		22-26.5	22-26.5	34.8-39.3	109.5 x 15 x 42.5

# SPACER

## 3 HOUSINGS - TUBE MOUNT



All dimensions in mm / Other dimensions and variants on request.

Ref.	Design	D1	D2	D3	h1	h2	h3	e1	e2	l x b x h
014998		4.5	4.5	4.5	6.5	6.5	6.5	8	8	35.5 x 12 x 13
055178		4.7-5.05	4.7-5.05	7.9-8.1	7	7	19	7.5	7.5	28 x 15 x 27.5
053368		4.7-5.25	4.7-5.25	4.7-5.25	4.5	4.5	4.5	12	12	34 x 10 x 10
012582		4.75	4.75	4.75				6.3	6.3	18.7 x 12 x 7.6
014055		4.75	4.75	4.75				7.5	7.5	22.6 x 15 x 21
015709		4.75	6	4.75				7.5	7.5	23.55 x 15 x 21
055351		4.75-5.05	4.75-5.05	4.75-5.05	4.5	16.5	4.5	7.5	7.5	25 x 30 x 21
132127		4.75-6.3	4.75-6.3	4.75-6.3	8.5	8.5	8.5	12	12	38.4 x 12 x 17

# SPACER

## 3 HOUSINGS - TUBE MOUNT

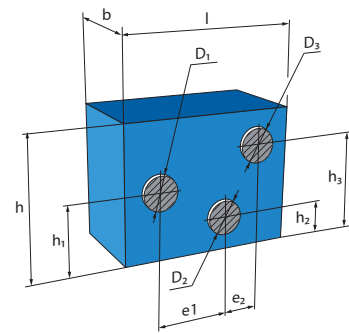


All dimensions in mm / Other dimensions and variants on request.

Ref.	Design	D1	D2	D3	h1	h2	h3	e1	e2	l x b x h
245954		5.14	3.4	5.14	13	4.5	13	4.6	4.6	18.2 x 12 x 17
249573		5.2	5.2	5.2	7.6	7.6	7.6	10.5	10.5	33.2 x 17 x 15.1
018208		7	7	10	6.5	6.5	6.5	12	15	38.74 x 8 x 14.5
231643		7.9-8.5	9.4-10.5	27.8-28.2				25.7	4.4	43.49 x 38.24 x 66.5
017351		8	4.75	8	5.45	7.45	5.45	11.5	11.5	34 x 8 x 11.18
225038		8	8	4.75	7	7	7	13.6	13.2	40.5-41 x 12.5-15 x 15.7-16
175000		8	8	8	7	7	7	12	12	35 x 8 x 14
020040		8-10	8-10	8-10	7	7	7	15.5	15.5	45 x 12 x 16.5
018556		10	10	10	7.7	7.7	7.7	11.5	11.5	36 x 15 x 14.6
017234		12-12.5	10	12-12.5	8	10	8	13	13	44.7 x 12 x 25.5
017669		14	21	21	13.5	13.5	13.5	21	27	71.2 x 12 x 40

# SPACER

## 3 HOUSINGS - TUBE MOUNT

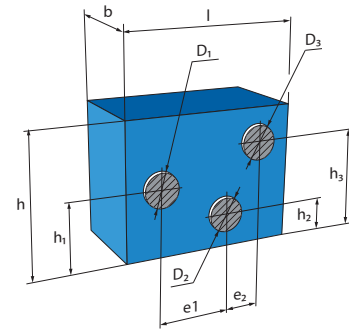


All dimensions in mm / Other dimensions and variants on request.

Ref.	Design	D1	D2	D3	h1	h2	h3	e1	e2	l x b x h
200717		14.3	10	10				12.25	23.6	60.27 x 20 x 44.29
250920		15-16	15-16	15-16	12	12	12	25.8	29	80.3 x 12 x 24
152847		23	35	23				21.7	21.7	69.4 x 12 x 76
245955		8.5;6.9	8.5;6.9	6.9	7.4 / 8	7.4 / 8	8	14	13	46.3 x 14 x 16.5

# SPACER

## 3 HOUSINGS - TUBE MOUNT - SWIVELING

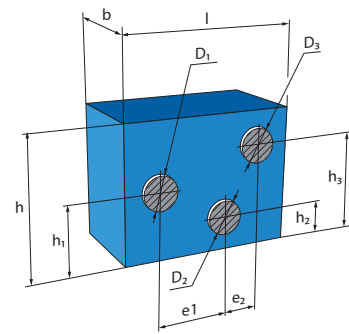


All dimensions in mm / Other dimensions and variants on request.

Ref.	Design	D1	D2	D3	h1	h2	h3	e1	e2	l x b x h
129106		4.75-5.25	4.75-5.25	6	18.5	0	18.5	12	6	25 x 12.6 x 30.8
130149		4.75-5.25	4.75-5.25	10	17.5	11	17.5	6	6	25 x 12.9 x 35
213219		6-6.5	9-9.5	6-6.5				18	17.5	46.19 x 10 x 16
213297		6-7.5	9-10.5	8.5-10	7.6	7.6	7.6	17.5-19	18.7-20.2	50.4 x 11 x 15.8
211987		7.5-9	9-10.5	7.5-9	7.6	7.6	7.6	18.2-19.7	18.2-19.7	
212223		7.5-9	10.5-12.5	15-20	7	7	22	19.5		46.7 x 11 x 44.6
233989		8	8	14.5	5	5	8.3	19.25	23	68 x 12 x 20.75
208620		8	8	23.5-25	45	20	45	6	6	35 x 12 x 52.5

# SPACER

## 3 HOUSINGS - TUBE MOUNT - SWIVELING



All dimensions in mm / Other dimensions and variants on request.

Ref.	Design	D1	D2	D3	h1	h2	h3	e1	e2	l x b x h
100593		8	8	70-80				47-52		97.7 x 11 x 102.9
235884		8	30-40	8	15	30	30	29.3-34.3		84.9 x 12 x 69.2
060869		8-9	18-20	8-9	27	14	27	6	6	24 x 12 x 35
061701		8-9	22-24	8-9	12	37-38.5	12	6	6	28 x 12 x 46
250231		8-10	10.5-12.5	8.5-10	8			19.5-21.2		36 x 11 x 36.9
223610		9-10.5	4.3-5.2	9-10.5				8	8	29.2 x 10 x 30.7
210394		9-10.5	9-10.5	10.5-12.5	8.3	8.3	8.3	19.5-20.5	19.7-21.5	56 x 11 x 18.2
227915		9-10.5	9-10.5	20-25	12	12	12	19-20.5	24.5-27.7	68 x 11 x 44
061639		9-10.5	22-24	9-10.5	12	32	12	6	6	29.25 x 12 x 47.75

# SPACER



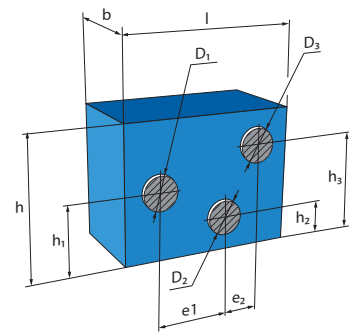
## 3 HOUSINGS - TUBE MOUNT - SWIVELING

All dimensions in mm / Other dimensions and variants on request.

Ref.	Design	D1	D2	D3	h1	h2	h3	e1	e2	l x b x h
234723		10-11	8-9	10-11	5.5	26	26	7	7	27.25 x 12 x 34.2
221657		10-16	6-8	40-50	30	12		23.5	20.5	95 x 16 x 81
224893		10.5-12.5	5.5-7	21.5-23.5	14.5	14.5	14.5	18-19.7	23.5-28	65.7 x 12 x 30.2
210807		10.5-12.5	7.5-9	9-10.5	8.3	8.3	8.3	19-20.7	18.2-21.5	54.8 x 11 x 18.2
214290		11-13	9.5-10.5	9-9.5				20.5	19.25	54 x 10 x 17.5
240999		13-14	11-13	14-16	9	9	9	22.25	23	62.5 x 10 x 21.5
061421		13-15	13-15	23-24	9.5	18	26.5	27.4	27.4	44.2 x 10 x 63.4
237416		13-15	15-20	20-23	27	15	15			74.2 x 11 x 56
243268		14-14.5	25	14-14.5				9	27	45 x 15 x 52
221969		14-15	14-14.5	14-14.5				22.2	20	42.4 x 15 x 40
213502		14.5	14-16	22-26.5				26.2-27.2	28-31.2	116.2 x 16 x 40.5

# SPACER

## 3 HOUSINGS - TUBE MOUNT - SWIVELING



All dimensions in mm / Other dimensions and variants on request.





Ref.	Design	D1	D2	D3	h1	h2	h3	e1	e2	l x b x h
250303		15-16	15-16	15-16	10.5	12	12	25	25	70 x 12 x 22.5
218796		15-16	16-18	8-9	29.7	29.7	5.7	27	0	54.3 x 10 x 44.7
261432		16-17	16-18	16-17	32.5	10	32.5	11	11	41.5 x 10 x 46.5
216386		17	16-24	17	22.9	22.9	22.9	33.8	33.9	125 x 20 x 44.9
100556		17.5-19.5	14.5	14.5				23.7-24.7		48.6 x 12 x 42.5
060812		18-20	11-13	11-13	0	0	0	24.5	21.5	64.4 x 12 x 25.3
100187		20-25	7.5-9	7.5-9				21.7-25		46 x 11 x 44
239829		20-25	20-23	15-20	30	30	30	33.1-37.1		79.7 x 11 x 60.6
215130		22-26.5	22-26.5	14.5	17	17	17			119.2 x 16 x 85.7

# SPACER



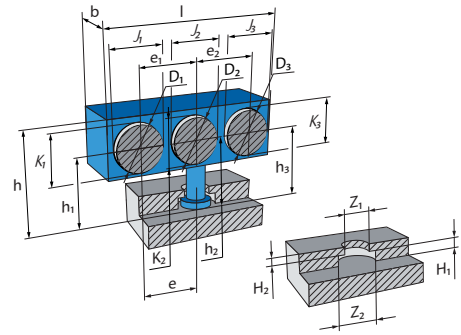
## 3 HOUSINGS - TUBE MOUNT - SWIVELING

All dimensions in mm / Other dimensions and variants on request.

Ref.	Design	D1	D2	D3	h1	h2	h3	e1	e2	l x b x h
226976		22-26.5	22-26.5	25-32	15	15	15	40.4		135.7 x 15 x 82.1
235470		23-24	10-14	16-22	40	10.2	40	31.7		68.7 x 10 x 64
250961		26-28	8-9	8-9	18.8	14.5	26	27	0	40.5 x 12 x 40
232497		35-38	4	4	57.5	26	57.5	6	6	43 x 12 x 63.5

# SPACER

## 3 HOUSINGS - T-SHAPE STUD MOUNT

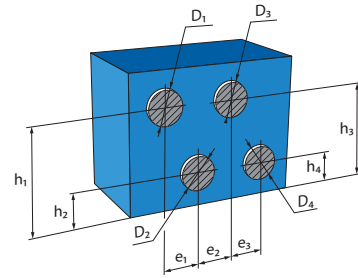


All dimensions in mm / Other dimensions and variants on request.

Ref.	Design	D1	D2	D3	e1	e2	l x b x h
100681		9-10.5	9-10.5	9-10.5	19-20.5	19-20.5	61.6 x 11 x 15.9

# SPACER

## 4 HOUSINGS - TUBE MOUNT

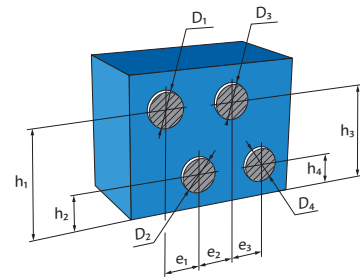


All dimensions in mm / Other dimensions and variants on request.

Ref.	Design	D1	D2	D3	D4	h1	h2	h3	h4	e1	e2	e3
016616		4.7-4.9	4.7-4.9	4.7-4.9	4.7-4.9					0	11	0
056678		4.7-5.05	4.7-5.05	4.7-5.05	4.7-5.05	6.7	6.7	6.7	6.7	11	11	11
017480		4.75	4.75	8	8-10	5	5	16	16	9	5	12
016797		4.75-6	4.75-6	4.75-6	4.75-6					0	20	0
164449		4.76-6.35	5.2	5.2	4.76-6.35	8	8	8	8	11	11	11
110015		5	5	5	5	4.5	4.5	4.5	4.5	12	12	12
164742		5.19-5.28	5.19-5.28	5.19-5.28	5.19-5.28	7.6	7.6	7.6	7.6	10.5	10.5	10.5
249578		5.2	5.2	5.2	5.2	7.6	7.6	7.6	7.6	10.5	10.5	10.5

# SPACER

## 4 HOUSINGS - TUBE MOUNT

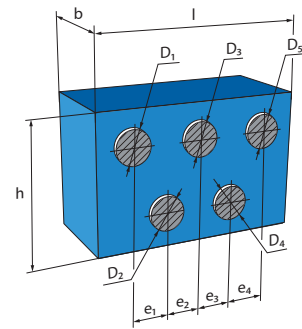
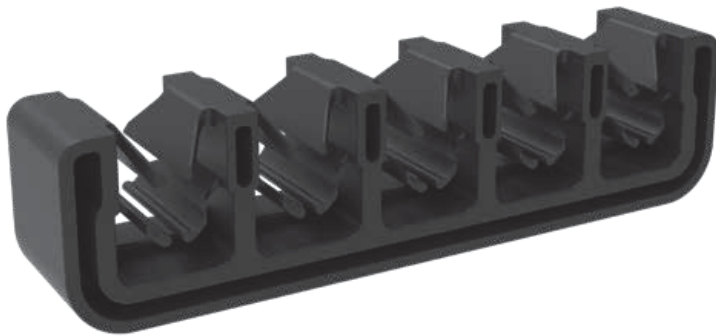


All dimensions in mm / Other dimensions and variants on request.


Ref.	Design	D1	D2	D3	D4	h1	h2	h3	h4	e1	e2	e3
055777		6	6	6	6	8	8	8	8	8.5	8.5	8.5
164682		6.8	5.2	5.2	9.8	7.5	7.5	7.5	7.5	11	11	11
245952		6.9	6.9	6.9	6.9	6	6	6	6	11	11	11
215868		8	9	8	60-70	13	13	60		13	13	51
218276		9.5-10.5	9-10.5	39-45	9-10.5	46.3	9	46.3	9	25.65	8	8
020039		12.75	8	8	8	16.5	6	6	6	12	12	12
213644		60-70	8	8	8					12	12	

# SPACER

## 5 HOUSINGS - TUBE MOUNT

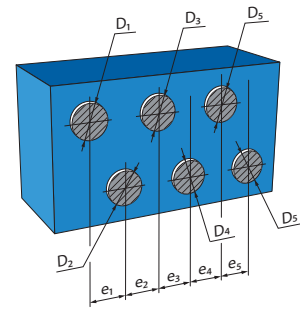


All dimensions in mm / Other dimensions and variants on request.

Ref.	Design	D1	D2	D3	D4	D5	e1	e2	e3	e4	l x b x h
245550		5.1-6.6	5.1-6.6	5.1-6.6	5.1-6.6	5.1-6.6	12.6	12.6	12.6	12.6	69-71 x 13.5-14.5 x 17.1-18.1

# SPACER

## MORE THAN 5 HOUSINGS - TUBE MOUNT



All dimensions in mm / Other dimensions and variants on request.

Ref.	Design	D1	D2	D3	D4	D5	D6	e1	e2	e3	e4	e5
229693		5.06-6.3	5.06-6.3	5.06-6.3	5.06-6.3	5.06-6.3	5.06-6.3	11	11	11	11	11
019666		6	6	4.8	4.8	4.8	4.8	9	9	0	9	9

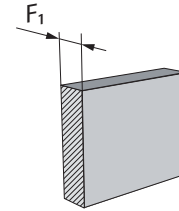
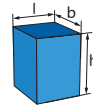
# ELECTRICAL CONNECTOR HOLDERS



Edge mount.....	p.336
Round hole mount.....	p.338
Square hole mount.....	p.342
Rectangular hole mount.....	p.343
Oblong hole mount.....	p.344
Hole mount - keyhole.....	p.349
Hole mount - multiple holes.....	p.350
Threaded stud mount.....	p.352
Tube mount.....	p.353
Cavity mount - blind hole - oblong.....	p.354
Cavity mount - threaded hole.....	p.355
Cavity mount - t-shape cavity.....	p.356

# CONNECTOR HOLDER

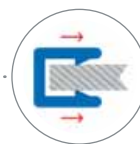
## EDGE MOUNT



All dimensions in mm / Other dimensions and variants on request.







Ref.	Design	F1	l x b x h
082308		0.5-2	25 x 33 x 31
255204		0.5-2.5	12 x 22 x 14
255201		0.5-2.5	22 x 10.4 x 14
255202		0.5-2.5	22 x 10.4 x 14.3
255203		0.5-2.5	22 x 12 x 14.3
211284		1-3.5	22.5 x 14.75 x 15.2
203868		1-3.5	25.54 x 13 x 15.2
018318		1.5-2	20.9 x 23 x 24

# CONNECTOR HOLDER



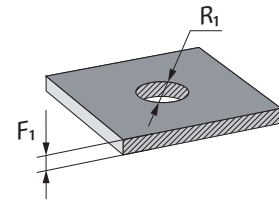
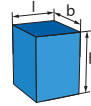
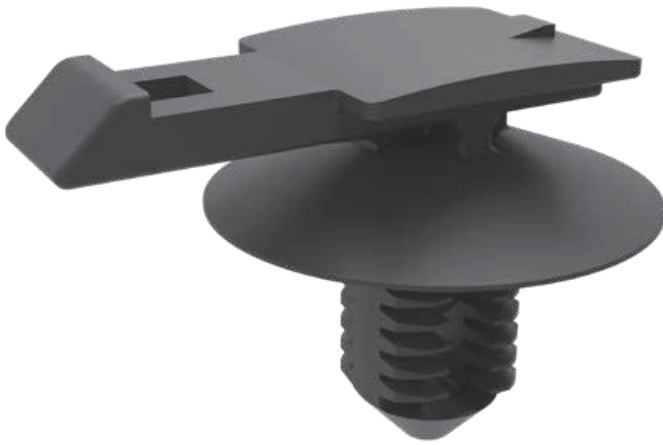
## EDGE MOUNT

All dimensions in mm / Other dimensions and variants on request.

Ref.	Design	F1	l x b x h
061807		1.5-3	28 x 29.1 x 16
238464		1.5-3.5	26.5 x 20 x 20.9
239741		1.5-3.5	42.7 x 20 x 14.1
082497		3-4	25 x 33 x 20
200722		3-6	16.6 x 15 x 17
220146		4.5-5.5	33.11 x 34.84 x 24.43

# CONNECTOR HOLDER

## ROUND HOLE MOUNT



All dimensions in mm / Other dimensions and variants on request.

Ref.	Design	R1	F1	l x b x h
212271		6.1-6.9	0.8-10	25 x 20.1 x 27.3
056698		6.2	0.7-2.5	12 x 14 x 24.5
056691		6.2	1-2	45.5 x 21 x 18.5
056151		6.35-6.7	0.5-6.5	26.75 x 21.5 x 16.9
201634		6.5	0.6-3	25.5 x 17 x 10.5
201727		6.5	1.5-3.5	11.4 x 14 x 21.1
201728		6.5	1.5-3.5	19.4 x 14 x 21.1
201633		6.5	3-3.4	34.8 x 25 x 16.4

# CONNECTOR HOLDER

## ROUND HOLE MOUNT

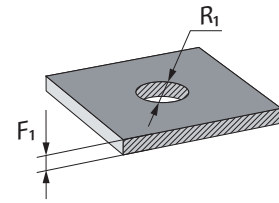
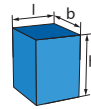


All dimensions in mm / Other dimensions and variants on request.

Ref.	Design	R1	F1	l x b x h
232916		6.5-6.7	0.7-2	36 x 21 x 19.2
114015		6.5-6.7	0.8-2	25 x 20 x 15
082200		6.5-6.7	0.8-2.5	27 x 22 x 15
017530		6.5-6.7	0.8-6	25 x 18 x 17.1
019849		6.5-6.7	0.8-6	27 x 18 x 16.7
018701		6.5-6.7	1-6	27.8 x 16 x 33.1
114022		6.5-6.8	0.7-1.5	19 x 13.4 x 13.3
240200		6.5-6.8	0.7-5	34 x 20 x 20
202092		6.5-6.8	0.8-2	34 x 20 x 16.6
241258		6.5-6.8	1.9-2.1	34 x 20 x 16.6
117042		6.58-6.8	1-2	20.5 x 19.5 x 18.5

# CONNECTOR HOLDER

## ROUND HOLE MOUNT



All dimensions in mm / Other dimensions and variants on request.





Ref.	Design	R1	F1	l x b x h
175028		7	0.7-1.6	19 x 18 x 15
175033		7	0.7-1.6	21.4 x 17.8 x 15.1
211383		8	0.7-2	24 x 16.5 x 19
211384		8	0.7-2	24 x 22.4 x 20.1
244900		8-8.3	0.7-2	
244901		8-8.3	0.7-2	37.7 x 21 x 25
114048		8.08-8.3	0.7-1.8	37.7 x 21 x 25
213360		8.08-8.3	0.7-2	
213363		8.08-8.3	0.7-2	37.7 x 21 x 25

# CONNECTOR HOLDER



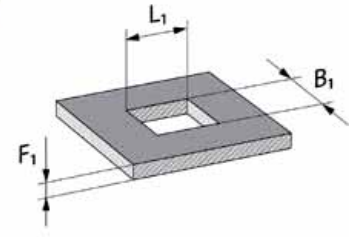
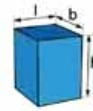
## ROUND HOLE MOUNT

All dimensions in mm / Other dimensions and variants on request.



Ref.	Design	R1	F1	l x b x h
114081		8.08-8.3	0.8-1.2	32.2 x 19.5 x 29.2
114082		8.08-8.3	0.8-1.2	38 x 19.5 x 29.2
214843		9	0.5-5.5	26.8 x 20 x 20.8
218882		16-16.2	0.8-1.5	28 x 32.8 x 23.3

# CONNECTOR HOLDER

## SQUARE HOLE MOUNT

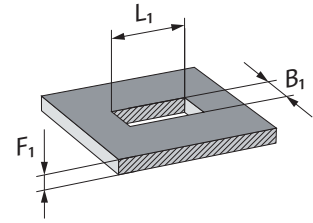
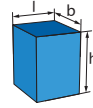


All dimensions in mm / Other dimensions and variants on request.

Ref.	Design	F1	L1	B1	l x b x h
018853		0.8-1.5	6.8-7	6.8-7	22.5 x 18 x 27.9
114141		0.8-2.5	7-7.2		29.6 x 16 x 14.4

# CONNECTOR HOLDER

## RECTANGULAR HOLE MOUNT

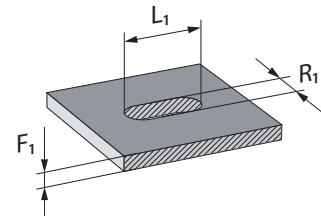
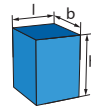


All dimensions in mm / Other dimensions and variants on request.

Ref.	Design	L1	F1	B1	l x b x h
241326		10-11	0.5-2.5	6.1-6.7	27 x 16 x 14.6
241327		10-11	0.5-2.5	6.1-6.7	24 x 22 x 15.2
241711		11.85-12.15	0.55-1.95	6.85-7.15	36.1 x 18 x 13.2
241710		11.85-12.15	0.55-2.05	6.85-7.15	18.3 x 18 x 12
252533		12-12.4	0.6-2.6	6-6.4	25.5 x 21 x 17
016208		13	0.8-2.5	9	36 x 14 x 29.8

# CONNECTOR HOLDER

## OBLONG HOLE MOUNT



All dimensions in mm / Other dimensions and variants on request.

Ref.	Design	R1	L1	F1	l x b x h
201925		12;6.2	6;12.2	0.7-5	26.5 x 23 x 18
235175		5.8	11.8	0.7-5	23 x 27 x 30.2
235174		5.8	11.8	0.7-5	23 x 41.3 x 30
231599		6-6.2	12-12.2	1.5	44 x 25 x 25.4
236952		6-6.2	12-12.3	0.7-4	30 x 19 x 18.4
082359		6.1-6.3	12.1-12.3	0.5-3	27.25 x 22.5 x 15.6
211318		6.1-6.3	12.1-12.3	0.6-1.5	25-25.8 x 20 x 22.4
209310		6.1-6.3	12.1-12.3	0.6-3	30.2-32.2 x 16 x 16.9

# CONNECTOR HOLDER

## OBLONG HOLE MOUNT

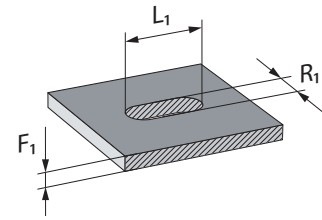
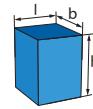


All dimensions in mm / Other dimensions and variants on request.

Ref.	Design	R1	L1	F1	l x b x h
251350		6.1-6.7	10-13	0.5-2.5	27.5 x 16 x 18.6
228333		6.1-6.9	12.1-12.9	0.6-1.25	31.2 x 19.7 x 17.8
230577		6.1-6.9	12.1-12.9	1.25-2	31.2 x 19.7 x 17.8
056150		6.2	12.2	0.5-3	27.25 x 22.5 x 15.6
057597		6.2	12.2	0.5-6	22.5 x 16.5 x 14.4
056868		6.2	12.2	0.5-6	26 x 16.5 x 18
212922		6.2	12.2	0.6	16.31 x 10.5 x 16.27
215081		6.2	12.2	0.62-3.5	21 x 16 x 23.66
244896		6.2	12.2	0.62-4	32.8 x 31.2 x 15.5
206667		6.2	12.2	0.67-1	22.5 x 16 x 14.4
212188		6.2	12.2	0.67-4	23 x 22 x 36.15

# CONNECTOR HOLDER

## OBLONG HOLE MOUNT



All dimensions in mm / Other dimensions and variants on request.

Ref.	Design	R1	L1	F1	l x b x h
202498		6.2	12.2	0.67-6.5	30 x 30 x 20.1
245736		6.2	12.2	0.7	25 x 10.5 x 15.6
208694		6.2	12.2	0.7-1	22 x 16 x 14.4
239464		6.2	12.2	0.7-5	23 x 41 x 30
235178		6.2	12.2	0.7-5	26 x 24 x 17.5
235177		6.2	12.2	0.7-5	41.1 x 23 x 39.08
132768		6.2	12.2	0.7-6	22 x 16 x 16
131833		6.2	12.2	1.5-3	44 x 30 x 16.3
246105		6.2	15.5	5-23	28.75 x 11 x 25.45

# CONNECTOR HOLDER

## OBLONG HOLE MOUNT

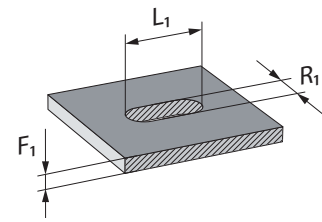
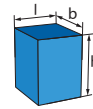


All dimensions in mm / Other dimensions and variants on request.

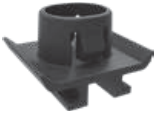
Ref.	Design	R1	L1	F1	l x b x h
218802		6.2-6.38	12.2-12.47	0.7-2.5	34 x 20 x 16.4
245549		6.2-6.4	12.2-12.4	0.7-6	29.4 x 16 x 16.97
221052		6.2-6.4	12.2-12.4	2	30.2-32.2 x 15.5-16.5 x 16.9
247818		6.4-6.6	9.4-9.6	0.5-1.5	30 x 23 x 25
248151		6.5	12.5	1.2	13.3 x 23 x 29.2
228334		6.5	12.5	2.25-3	29.9 x 26.1 x 23.7
255513		6.85-7.15	11.85-12.15	0.55-2.05	41.3 x 18.2 x 21.1
255514		6.85-7.85	11.85-12.15	0.55-2.05	46.3 x 15.5 x 12
202090		8-8.2	12-12.27	0.7-2.5	34 x 20 x 17.8
250724		8-8.2	15-15.3	0.8-3	19.3 x 15.8 x 14.7
244884		9	17	0.97-1.17	23.8 x 18.4 x 20.17

# CONNECTOR HOLDER

## OBLONG HOLE MOUNT

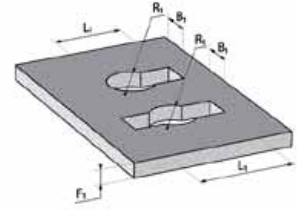
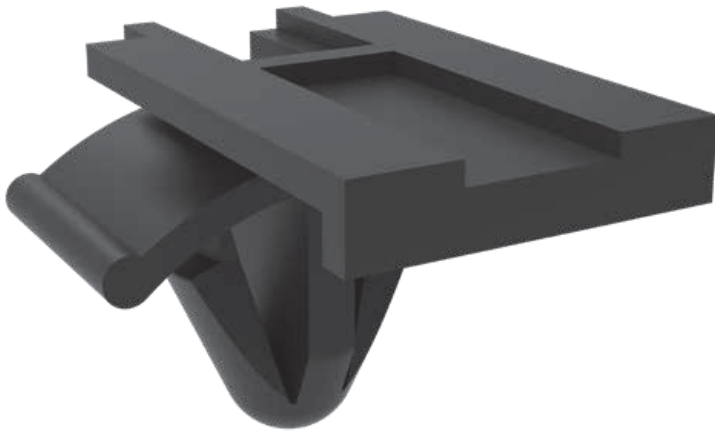


All dimensions in mm / Other dimensions and variants on request.


Ref.	Design	R1	L1	F1	l x b x h
233747		10.2	12.2	0.6	18.5 x 16 x 11.7

# CONNECTOR HOLDER

HOLE MOUNT - KEYHOLE

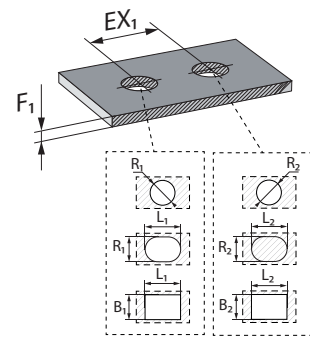
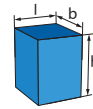


All dimensions in mm / Other dimensions and variants on request.

Ref.	Design	R1	L1	F1	B1
245737		6.9-7.1	10	0.7-1.6	3

# CONNECTOR HOLDER

## HOLE MOUNT - MULTIPLE HOLES



All dimensions in mm / Other dimensions and variants on request.

Ref.	Design	R1	R2	L1	L2	F1	B1	B2	l x b x h
057581				12.4-12.8	6.4-6.8	15-16	5.9-6.3	5.9-6.3	65 x 45.5 x 50
221025		4.5-4.7	6-7						51.6 x 18.9 x 26.1
239625		4.8	7.2			2			11 x 22 x 15.2
223547		4.8-5.2	6.3-6.7			0.8-4			53 x 52.7 x 17.9
164321		4.8-5.2	6.3-6.7			0.8-4			25 x 20.1 x 16.4
219021		6.2-6.5		7.5		0.8-4	7.5		25.4 x 20.1 x 17.3
164322		6.3-6.7	4.8-5.2			0.8-4			25 x 20.1 x 21.2
210101		6.3-6.7	4.8-5.2			0.8-4			53 x 52-54 x 18

# CONNECTOR HOLDER

## HOLE MOUNT - MULTIPLE HOLES

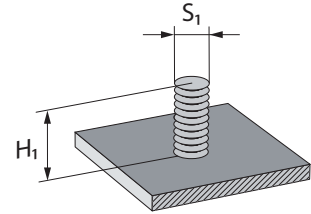
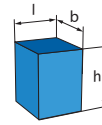


All dimensions in mm / Other dimensions and variants on request.

Ref.	Design	R1	R2	L1	L2	F1	B1	B2	l x b x h
212482		6.3-6.7	5.3-5.7			0.8-4			28.8 x 11 x 17.4
246131		6.5-6.7	4.5			1-6			17 x 13.79 x 37.91
244022		6.5-6.7	6.5-6.7	13-13.3	13-13.3	3			60.6 x 25.2 x 21.7
230164		6.7	5.5			0.6-4			30.6 x 16.4 x 15.2
221029		7.5-7.7	4.6			2-6.5			40.2 x 18.8 x 20.9
209710		7.5-7.8	4.6			3-8			20.1 x 25.4 x 18.99
221027		7.6	4.6			2-6.5			44.8 x 16.2 x 25.17
234889		8-8.3	5-5.2			1-3			53.9 x 30 x 25.6

# CONNECTOR HOLDER

## THREADED STUD MOUNT



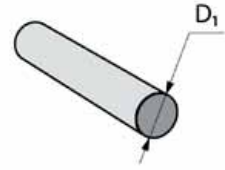
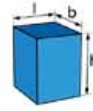
All dimensions in mm / Other dimensions and variants on request.

Ref.	Design	H1	S1	l x b x h
056369		9	T5 Stud	22 x 10.5 x 13.3
211961		12	M6 x 1,00	22 x 12 x 36.4
211960		12	M6 x 1,00	22 x 12 x 42.9
204450		12	M6 x 1,00	22 x 26.4 x 10
241521		14	T5 Stud	16 x 10 x 19.9
238463		14	T5 Stud	26.5 x 20 x 23.4
241572		14	T5 Stud	67.4 x 20 x 18.4
247284		14	T5 Stud	82.7 x 69.2 x 19.9

# CONNECTOR HOLDER



## TUBE MOUNT

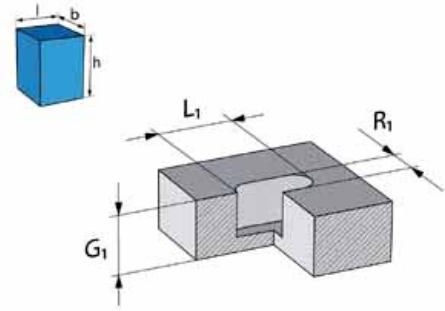


All dimensions in mm / Other dimensions and variants on request.


Ref.	Design	D1	l x b x h
228701		6	27 x 10 x 20.8
242849		7.8-8.5	23 x 12 x 21
225263		8-9	13.5 x 16 x 25.7
128238		8-50	219.5 x 22 x 13.6
204899		15	35.8 x 24.7 x 51.4
018689		15-20	70.5 x 12 x 7
214214		20-22	28 x 10.4 x 37.65

# CONNECTOR HOLDER

CAVITY MOUNT - BLIND HOLE - OBLONG

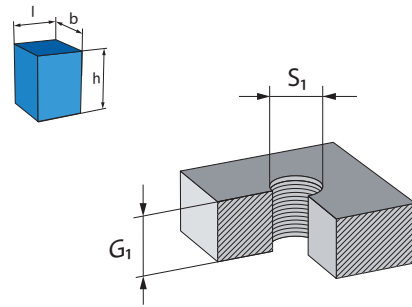


All dimensions in mm / Other dimensions and variants on request.


Ref.	Design	L1	R1	G1	l x b x h
128746		11.75-11.85	5.75-5.85	10	27.5 x 18.95 x 13.5

# CONNECTOR HOLDER

CAVITY MOUNT - THREADED HOLE

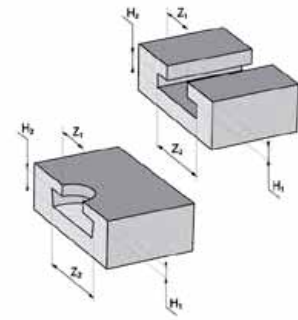
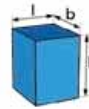


All dimensions in mm / Other dimensions and variants on request.


Ref.	Design	S1	l x b x h
114153		M8 x 1,25	19.2 x 14 x 16.5

# CONNECTOR HOLDER

CAVITY MOUNT - T-SHAPE CAVITY



All dimensions in mm / Other dimensions and variants on request.

Ref.	Design	l x b x h
233904		44 x 23.5 x 44



# PANEL & TRIM FASTENERS

PANEL & TRIM FASTENERS



**PANEL CLIP**

U-clip..... p.360  
 S-clip..... p.364  
 W-clip..... p.368  
 Snap on clip..... p.369

**PRE-MOUNTED PANEL FASTENERS**

Flange clip - round hole mount ..... p.373  
 Flange clip - rectangular hole mount - rectangular stud mount..... p.374  
 Flange clip - rectangular hole mount - rib ..... p.378  
 Flange clip - rectangular hole mount - rib - above..... p.382  
 Double headed clip - round hole mount..... p.383  
 Double headed clip - oblong / rectangular hole mount ..... p.386  
 Double headed clip - round hole mount - umbrella..... p.389

**PANEL PIN - PUSH-PIN**

Round hole mount - anchor..... p.395  
 Round hole mount - fir tree ..... p.398  
 Round hole mount - 2 panels ..... p.404  
 Round rectangular hole mount..... p.406  
 Round oblong hole mount..... p.407  
 Rectangular hole mount - 1 panel..... p.408  
 Rectangular hole mount - 2 panels ..... p.409  
 Oblong hole mount - 1 panel..... p.410  
 Oblong hole mount ..... p.411

**PANEL PIN - PUSH-RIVET**

Round hole mount..... p.412  
 Rectangular hole mount..... p.418

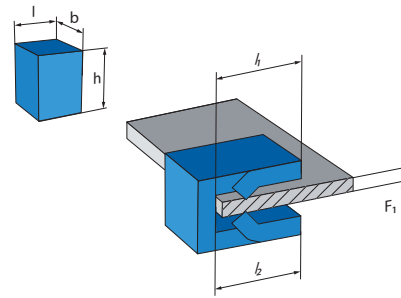
**PANEL PIN - QUARTER TURN AND OTHERS**

Oblong hole mount - 2 panels..... p.419

**PANEL PIN IN TWO OR MORE PIECES**

Round hole - square hole ..... p.420  
 Round hole - rectangular hole ..... p.421  
 Rectangular holes..... p.423

# PANEL CLIP - U-CLIP



All dimensions in mm / Other dimensions and variants on request.

Ref.	Design	F1	l1	l2	l x b x h
241288			9.6	14.7	15.9 x 20.6 x 5.4
200667		0.7-3	7.8	7.8	8.2 x 13 x 6.5
136938		0.76-2.79			16.13 x 17.22 x 4.42
015435		0.8-1.8	8.7	14.4	14.8 x 14 x 3
204763		0.8-2.5	15.2	15.2	15.7 x 20 x 9.5
228083		0.8-2.65	15.2	15.2	15.7 x 20 x 9.5
228310		0.8-2.65	15.3	15.3	15.8 x 20 x 9.5
131421		0.8-3	8.3	8.3	8.3 x 13 x 6.3

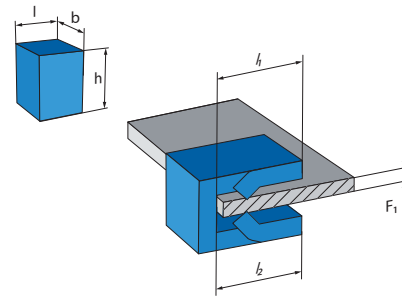
# PANEL CLIP - U-CLIP



All dimensions in mm / Other dimensions and variants on request.

Ref.	Design	F1	l1	l2	l x b x h
151902		1	10.9	13	13.5 x 16 x 7.9
051510		1-1.5	8.1	8.1	8.5 x 13 x 3.3
054712		1-2.5	9	9	9.4 x 10 x 5.9
215156		1.3-1.7	8.6	14.6	15 x 18 x 3.2
151126		1.5-2.7	21.1	21.1	21.7 x 14 x 10.8
228012		1.5-3.5	9.5	9.5	12 x 7.2 x 9.9
206087		1.85-1.95	28.8	31.3	38 x 34 x 34
038850		2-2.2	8.7	8.7	10.4 x 18 x 6.5
151041		2.2-2.6	7.6	7.6	8 x 13 x 5.8
054916		2.5	17.5	17.5	18 x 6 x 7.8
151853		2.5	20	14.1	20 x 49 x 6.1

# PANEL CLIP - U-CLIP



All dimensions in mm / Other dimensions and variants on request.

Ref.	Design	F1	l1	l2	l x b x h
012718		2.75-3.25	5.7	5.7	6 x 13 x 5.5
051627		2.8-3.5	8.6	8.6	9 x 13 x 8
137850		2.9	18-19		18.5 x 15.9 x 9.9
137549		2.9-4.7	9.7-10.7		10.7 x 12.75 x 6
136890		3.18-4.75	14.7	17.27	17.27 x 15.88 x 11
013126		3.5-4	12.6	12.6	13 x 20 x 6
213179		4	6.3	6.3	6.6 x 23 x 5.2
202460		4-5	5.2	5.3	10.5 x 120 x 7.2
053328		4-5	8.2	8.2	8.7 x 12.7 x 7.5

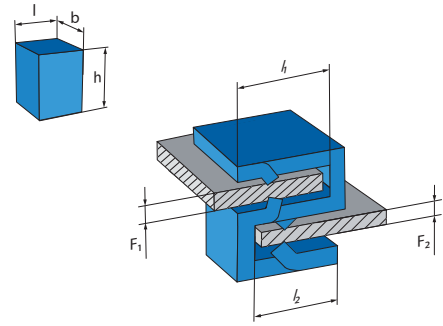
# PANEL CLIP - U-CLIP



All dimensions in mm / Other dimensions and variants on request.

Ref.	Design	F1	l1	l2	l x b x h
151566		4.3	3.3	5.7	6 x 60 x 5.6
053510		4.5-5.5	15.2	15.2	15.2 x 20 x 6.8
201871		4.5-6.5	11.8	11.8	12.5 x 15 x 11
012927		4.7-5.1	5	5	5.3 x 13 x 7
136895		6.2-6.5	9.34		9.7 x 12.7 x 8.6
053329		6.7-8	10	10	10 x 12.7 x 9.2
209463		10.7-11.5	5.8	5.8	6.3 x 15 x 13.9
054910		11	4.5	4.5	5.2 x 9.5 x 17.5
151717		15	17.35	8	18.15 x 42 x 16.85
136943		16.13-18.16			9.65 x 7.87 x 20.32
130243		18.8-19.2	6	6	8.23 x 16 x 23.8

# PANEL CLIP - S-CLIP



All dimensions in mm / Other dimensions and variants on request.

Ref.	Design	F1	F2	l1	l2	l x b x h
203591				25.6	13.1	26.1 x 20 x 13.5
220630			2-2.5		7.6	12.2 x 12.7 x 7.07
013698		0.5-1.5	0.8-1.5	9.6	13.6	14 x 12.75 x 7
210532		0.5-1.5	1.5-1.7	14	10.1	14 x 12.75 x 7.1
232880		0.67-1.2	2	16.5	20.4	23 x 30 x 16
215074		0.7		8.3	6.5	9.1 x 16.8 x 5
239271		0.7-2	2.5-6	10.5	14.3	15.4 x 12 x 14.3
052225		0.8-1	1.8	10	10	10 x 13 x 5.5

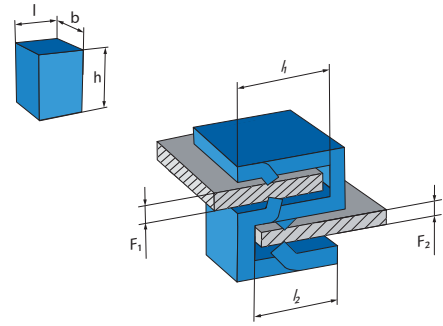
# PANEL CLIP - S-CLIP



All dimensions in mm / Other dimensions and variants on request.

Ref.	Design	F1	F2	l1	l2	l x b x h
052047		0.8-1.4	2-3	9	9	9 x 13 x 8
053142		0.8-1.7	0.8-1.7	7.7	7.7	9.2 x 13 x 7
054548		0.8-1.7	0.8-1.7	9.5	9.5	9.5 x 13 x 8
202426		0.87	1.85-2.15	7.4	13.4	24.3 x 15 x 15
219148		0.9	2.5	9	14	14.5 x 15 x 8.1
222594		0.97	4.5	8.5	10	23 x 14 x 19
151556		1	1	9.9	7.6	30.7 x 15 x 5.2
225158		1-1.2	0.9-1.1	7.68	30	19.22 x 15 x 13.5
244974		1.1-1.4	1.1-1.4	9.5	9.5	12.7 x 12.7 x 4.4
241252		1.2-2	0.67-1.2	14.5	17.4	23.85 x 30 x 15.29
051848		1.5	2	7.8	7.8	9.4 x 13 x 4.8

# PANEL CLIP - S-CLIP







All dimensions in mm / Other dimensions and variants on request.

Ref.	Design	F1	F2	l1	l2	l x b x h
138081		1.5-2	3-3.2	9.9	11.94	14.48 x 9.53 x 8.75
224533		1.5-2.5	0.8-1.3	19.7		21.7 x 25 x 23.4
151921		1.5-2.5	2.3-3.4	17.4	8.7	28.3 x 10 x 9.2
213054		1.65	0.8-1	3.5	8.7	11.7 x 28 x 10.55
136901		1.78-2.03	1.78-2.79	10.16	11.81	13.46 x 9.52 x 8.64
224342		1.9	2.6	7.1	4	12 x 16 x 10.27
248387		2	2	9.5	9.5	10 x 13 x 5.5
151470		2-2.3	2-2.3	12.3	10.5	12.8 x 20 x 12.6
019543		2.2-2.6	0.7-1	12.3	7.2	12.8 x 15 x 5.9

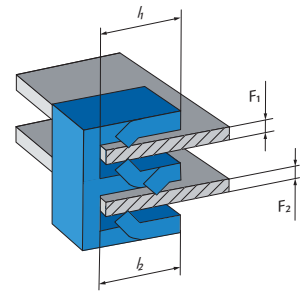
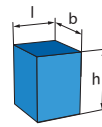
# PANEL CLIP - S-CLIP




All dimensions in mm / Other dimensions and variants on request.

Ref.	Design	F1	F2	l1	l2	l x b x h
222007		2.28-3.3	2.28-3.3	9.9	9.9	13.45 x 9.53 x 8.6
052534		2.5-3	1.8-2	8.4	9.1	9.5 x 13 x 6
228876		2.5-3.1	4.07-4.72	15	11	20 x 27.5 x 25
138063		2.9-3.1	1-5	15	15	42 x 18 x 30

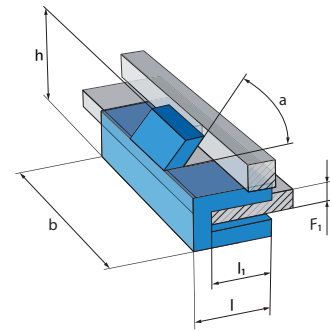
# PANEL CLIP - W-CLIP



All dimensions in mm / Other dimensions and variants on request.

Ref.	Design	F1	F2	l1	l2	l x b x h
239384		5.3-5.7	2.8-3.2	15.1	11.8	15.6 x 20 x 12.4

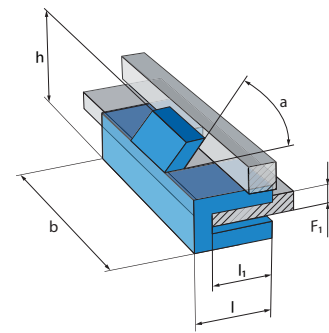
# PANEL CLIP - SNAP ON CLIP



All dimensions in mm / Other dimensions and variants on request.

Ref.	Design	F1	l1	a1	l x b x h
151905		0.5-1	6.9	127	13.3 x 20.5 x 12.4
248381		0.5-1.5	9.9	45.7	16 x 12 x 6.6
218413		0.5-2	7	45	10.9 x 15 x 10.2
221564		0.5-2.8	9	30	9.2 x 13 x 7.2
237867		0.7	11.3	60	17.7 x 20 x 38.25
151906		0.7-1	5.6	53.5	6.6 x 13 x 6.1
230551		0.8-3	14	15	16.5 x 9.32 x 12
013772		1-2	8.85	30	9.2 x 13 x 5.8

# PANEL CLIP - SNAP ON CLIP



All dimensions in mm / Other dimensions and variants on request.

Ref.	Design	F1	l1	a1	l x b x h
232677		1.2	6.5		13 x 4.2 x 9
228413		1.2	8.8	45	9.2 x 13 x 5.6
228616		1.2-2.4	8	45	9.2 x 13 x 6.75
013696		1.3-1.7	8.5	60	12.9 x 18 x 8.5
015536		1.4-1.6	9.8	45	14.7 x 13 x 12.3
012462		1.4-1.6	12.6	70	13 x 20 x 16.3
151863		1.45	8.7	190	23 x 21.5 x 2.6
201485		1.5-1.9	13.15		10 x 9.5 x 13.15
223009		1.65	12.75	90	17 x 20 x 17.3

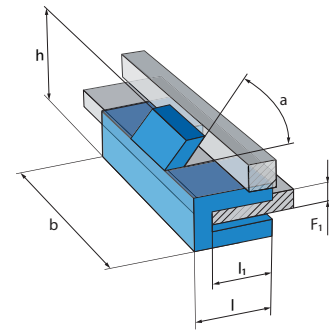
# PANEL CLIP - SNAP ON CLIP






All dimensions in mm / Other dimensions and variants on request.

Ref.	Design	F1	l1	a1	l x b x h
237394		1.7-2.5	13	14	30.8 x 20 x 8
214507		2	5.8		15.5 x 8 x 9
221078		2-2.5	9.5	60.02	10.54 x 18.6 x 13.37
213544		2.04	12.7	90	18 x 15.6 x 15.5
211125		2.3-2.7	28.4		29 x 27 x 15
227328		2.5-3.5	15.2	42.7	18.3 x 15 x 13.8
230023		2.7	7.5	45	32.9 x 16 x 25
248270		2.8-3	12.4	56	14.8 x 30 x 31
018271		3-3.2	7.5	90	8.9 x 22 x 18.5
151815		3.5-4			14.4 x 11 x 5.9
051811		3.5-4.3	8.3		11.8 x 20 x 9

# PANEL CLIP - SNAP ON CLIP



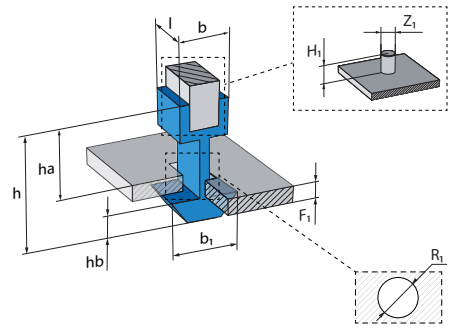
All dimensions in mm / Other dimensions and variants on request.

Ref.	Design	F1	l1	a1	l x b x h
238723		4.2-4.7	15.4		16.77 x 8 x 11.8
214177		4.25	3.9	105	18.3 x 12.5 x 8.65
212564		6.3-6.6	19.6-24.5	118.7	31 x 20 x 19


# PRE-MOUNTED PANEL FASTENERS - FLANGE CLIP



## ROUND HOLE MOUNT

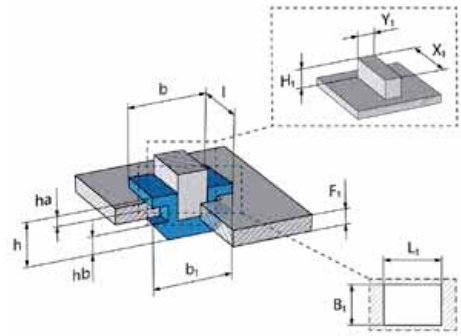


All dimensions in mm / Other dimensions and variants on request.

Ref.	Design	R1	F1	H1
137957		7.25-7.75	2.4-2.6	4-5

# PRE-MOUNTED PANEL FASTENERS - FLANGE CLIP

RECTANGULAR HOLE MOUNT - RECTANGULAR STUD MOUNT



All dimensions in mm / Other dimensions and variants on request.

Ref.	Design	L1 x B1	H1	Y1 x X1	F1	ha	hb	b1	L x b x h
226536					2.5-3				18 x 6 x 15.6
232459					3				22.7 x 6 x 16
202231		10 min x 3.5-3.7	10 min	0.7-0.9 x 8.5 min	0.8 min	1	7.5	5.6	7.5 x 5.6 x 8.9
219171		10.2 x 6.3-6.7			2.5			7.8	10.2 x 7.8 x 10
018184		10.2-10.4 x 7.8-8	12	4.1-4.3 x 8	2-2.2	0.4	7	10.1	10 x 16.4 x 9.6
243547		10.5 x 7.5-7.7			2.9-3.1			15	10 x 21.2 x 11.3
104022		10.5 x 7.5-7.7			2.9-3.1	0.8	9.2	10.9	10 x 15 x 13
247325		11 min x 9.4-9.6	16 min	1.9-2.1 x 10 min	0.8 min	4.5	9.7	11.6	9 x 9 x 15

# PRE-MOUNTED PANEL FASTENERS - FLANGE CLIP



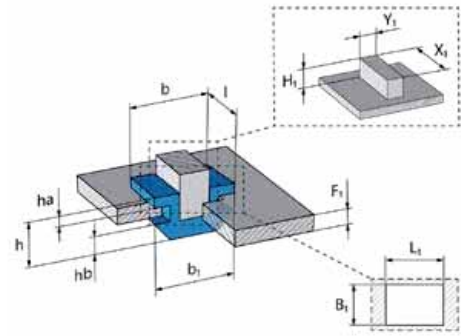
## RECTANGULAR HOLE MOUNT - RECTANGULAR STUD MOUNT

All dimensions in mm / Other dimensions and variants on request.

Ref.	Design	L1 x B1	H1	Y1 x X1	F1	ha	hb	b1	l x b x h
244868		11 x 8	11	4.2 x 10	1.2-1.4	0.4	4.9	10.2	10 x 15.4 x 8.8
152803		12.8-13.2 x 10.3-10.7	13.5	4 x 7	1.6	1.8	12.8	11.9	9 x 22.8 x 16.7
016290		13.5 min x 4.7-4.9	9 min	1-3 x 6 min	0.7-1.5	2	11.3	7.5	12.75 x 10.2 x 15
248396		14 x 7			3	0.5	10.92	9.72	11.6 x 8 x 16.5
200825		14.3-14.7 x 9.9-10.1	19		2.8-3.2	0.7	11.9	12.2	12.8 x 18 x 15.7
016848		14.5 min x 8.9-9.1	14.7-15.3		2.8-3.2	0.7	12.5	13.2	12.8 x 19.3 x 16.2
216914		15 min x 4.2 max	16 min		2.5 max	11.5	8	5.8	35 x 13.5 x 22.9
216913		15 min x 4.2 max	16 min		2.5 max	12.6	8	5.8	35 x 13.5 x 24
246807		15 x 7.9-8.1	15	1.5 x 15	3	1.7	13.5	2.7	8 x 9.8-10.8 x 15
212675		15 x 8.5	10	2 x 10	2	0.4	10	9.7	10 x 16 x 13
248389		16 x 8.5			2.5-4	0.7	15.3	10.5	11 x 7.5 x 21

# PRE-MOUNTED PANEL FASTENERS - FLANGE CLIP

RECTANGULAR HOLE MOUNT - RECTANGULAR STUD MOUNT



All dimensions in mm / Other dimensions and variants on request.

Ref.	Design	L1 x B1	H1	Y1 x X1	F1	ha	hb	b1	l x b x h
151784		16 x 8-8.5			1.7-2.5	0.45	13.55	12.5	9.45 x 12.5 x 16.5
151888		16 x 8-8.5			2.5		14	12.5	9.45 x 12.5 x 16.5
207629		17.5 min x 5.4-5.6		1.4-1.6 x 17.5 max	2.5-2.7	0.15-0.25	11.35-11.45	7.3	16 x 7.3 x 14.2
239945		20 x 5			1.8	8.5	11.8	7.2	16 x 20 x 22.1
151896		20 x 5-5.2	8		1-3	0.6	3.9-1.9	6.4	15.8 x 11.6 x 5.5
151917		20 x 9.3-9.7			1-2.5	0.4	6.1-7.6	10.5	11 x 12.9 x 9
224351		20 x 9.3-9.7	9	2.5 x 1.4-1.8	2.5	0.4	6.1	11.5	11 x 12.9 x 9
221712		20-24 x 6	5-6	1.25-2 x 13	0.7	0.52	6.1	7.3	13 x 10 x 12
210339		21 min x 6	8	1-2.5 x 10 min	0.7-2.5	0.6	7	5	12 x 10 x 10.3

# PRE-MOUNTED PANEL FASTENERS - FLANGE CLIP



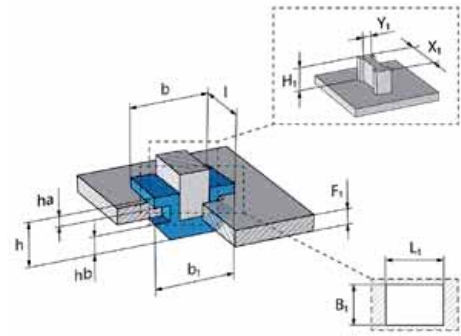
## RECTANGULAR HOLE MOUNT - RECTANGULAR STUD MOUNT

All dimensions in mm / Other dimensions and variants on request.

Ref.	Design	L1 x B1	H1	Y1 x X1	F1	ha	hb	b1	l x b x h
151812		21.9-22.1 x 5.9-6.1	10-10		0.7-1.2	0.6	9.8-10.3	8.7	12 x 14 x 11.6
221711		22 x 6.5	15.5	1.05-2 x 10	0.7	0.5	15	10	10 x 12 x 16
137789		25 x 7.85-8.35	8.5		2.9-3.3	5.4-6.8	2.5-3.5	10.8	25 x 16.5 x 15.5
222391		25.4 x 8.25-8.75	12		2.4-2.6	5.1	2.2-3	11.1	25 x 17.8 x 18.7
247025		30 x 3.1	2	1.2 x 11	2.1-2.3	0.5	6.45-6.65	28	8.75 x 28 x 8.385
201011		8-10 x 8	12 min	2 x 8-10	5	0.5	15	10	7.5 x 11 x 21.1
207587		9.5 min x 9	16	2.5 x 9.5 min	0.8-2	2	15.5	5.5	9 x 10.2 x 17.5
210293		9.5 x 7.95-8.55			0.75-0.85	4.45	12.95	11	9.5 x 11 x 18.1
151898		9.5 x 8-8.2			0.7-2.5	0.75-1.65	14.85-15.75	11	9.5 x 11 x 18.1
151771		9.5 x 8-8.5			2.5			10.4	9.5 x 10.4 x 18.1

# PRE-MOUNTED PANEL FASTENERS - FLANGE CLIP

## RECTANGULAR HOLE MOUNT - RIB



All dimensions in mm / Other dimensions and variants on request.

Ref.	Design	L1 x B1	H1	Y1 x X1	F1	ha	hb	b1	L x b x h
016757		10 min x 8-8.5	17 min		0.8 min	2	13.3	10.1	9 x 7.5 x 16
245596		10 x 7.6			3	1.5	14.3		7.5 x 11.2 x 18.8
221845		11 min x 5.9-6.1	14 min	1.2-1.4 x 10 min	0.8 min	3	9.3	8.1	9 x 5.8 x 12.8
233496		12-99 x 6.75-6.85	14.4	4.28-4.88 x 9.8-10.2	2.65-2.75	1	9.8	10.5	11.7 x 14.1 x 13.5
104025		13 x 11		2 x 9.5-10	2.5	2.5	8.9	11.8	14.5 x 13.6 x 14
246808		13 x 4.9-5.1	22	1.9-2.1 x 8.5	4	1.6	14	6	7.1 x 9.5 x 18
208404		14 x 5.8-6.2	17	1.3-1.5 x 12	3.8-4.2	4	9.3	9.5	12 x 9.5 x 17.3
214894		14 x 5.8-6.2	17	1.3-1.5 x 12	3.8-4.2	4	9.3	9.5	12 x 11.2 x 17.3

# PRE-MOUNTED PANEL FASTENERS - FLANGE CLIP



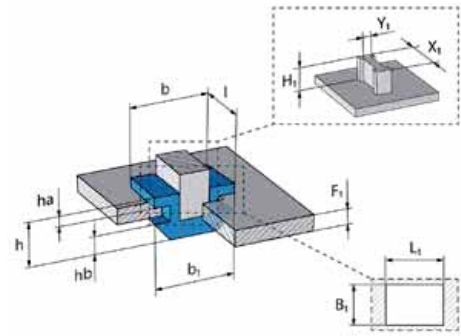
## RECTANGULAR HOLE MOUNT - RIB

All dimensions in mm / Other dimensions and variants on request.

Ref.	Design	L1 x B1	H1	Y1 x X1	F1	ha	hb	b1	l x b x h
243143		14 x 6.9-7.1	20-22	1.4-1.6 x 8.4-8.6	0.7	4	12.8	8	7.5 x 10.8 x 16.8
210190		15 x 7.8-8.1	15.1-15.3	1.6-1.8 x 9.7-10.3	2.6-2.8		15		8.5-8.9 x 12.5 x 16
209891		15 x 7.9-8.1	15.1-15.3	1.6-1.8 x 9.7-10.3	2.6-2.8		15		8.5-8.9 x 12.5 x 16
132681		15 x 7.9-8.1	15.9-16.1	1.7-2.1 x 10-11	2.6-2.8	0	15.5	12	9.45 x 12.5 x 16.5
054928		15 x 7.9-8.1	15.9-16.1	2.4-2.6 x 8-9	2.6-2.8	0	15.5		7.5 x 11.3 x 17
205257		16 min x 8-8.5	19 min	1.2-1.7 x 10.5 min	0.8 min	4	12.6	11	9.5 x 7.7 x 18.1
137710		16 x 5.4-5.6			2.3		7.1		11 x 7.45 x 14.7
205616		16 x 6-6.2	19	1.5 x 12-15.5	0.7	1.3	12	9	12 x 9 x 19
135208		16 x 7.9-8.1			1.8-2.2	0.51	9.3-10.7		13 x 19.5 x 13.3
137719		16 x 8-8.5			2	0.56	10.6-11.8		9.45 x 12.5 x 16.5
137636		16 x 8-8.5			2.2-2.7		12.1		10 x 12.5 x 16.5

# PRE-MOUNTED PANEL FASTENERS - FLANGE CLIP

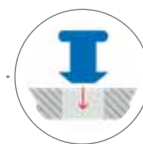
## RECTANGULAR HOLE MOUNT - RIB



All dimensions in mm / Other dimensions and variants on request.





Ref.	Design	L1 x B1	H1	Y1 x X1	F1	ha	hb	b1	L x b x h
231308		16.2 x 4.4-4.6	7	1.71-1.91 x 13.42-14.42	1.8-2	0.35	2.5	5.8	15.6 x 8.2 x 5.4
219710		18.5 x 8.4-8.6	23-25	1.5-2 x 13-15	1-2	2	14	12	11 x 17.1 x 18
138002		20 x 5.3-5.7			0.7-1.5	1.7-2.7	5.6		30 x 16 x 8.8
135257		20 x 5.7-6.2			2.3		7.5-8.5		11 x 8.05 x 14.7
137706		20 x 5.7-6.2			2.3	6-7			11 x 8.5 x 14.7
104009		20 x 6		1.5 x 10	0.7	1.7	10	9	12 x 14 x 15
137991		21 x 5.75-6.25		1.13-1.37 x 16	0.71-1.5	2	10.2		12 x 8.9 x 16.1
135205		21 x 5.75-6.25		1.13-1.37 x 16	2.5-3	2	9.2		12 x 8.9 x 16.1
137770		25 x 5.1-5.3			2.5	0.36	7.6		12 x 6.1 x 13

# PRE-MOUNTED PANEL FASTENERS - FLANGE CLIP



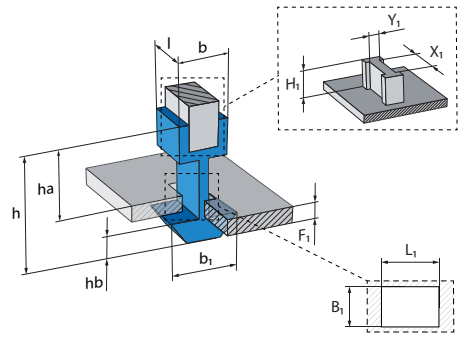
## RECTANGULAR HOLE MOUNT - RIB

All dimensions in mm / Other dimensions and variants on request.

Ref.	Design	L1 x B1	H1	Y1 x X1	F1	ha	hb	b1	l x b x h
136964		25 x 5.2-5.4			3.05-4.05		8.2		11 x 6.1 x 12.9
136994		25 x 5.4			1.5-2.25	4.5-6.5	7.5		10 x 6.1 x 13
135201		9.3-9.7 x 13	15-18	1.1 x 10-12	1.1	4.2	12.2	7.2	11.4 x 9 x 17.4
247171		9.5 x 7-7.2			0.8-2	1.7	4.4	8.5	8.5 x 12.3 x 9.5

# PRE-MOUNTED PANEL FASTENERS - FLANGE CLIP

## RECTANGULAR HOLE MOUNT - RIB - ABOVE

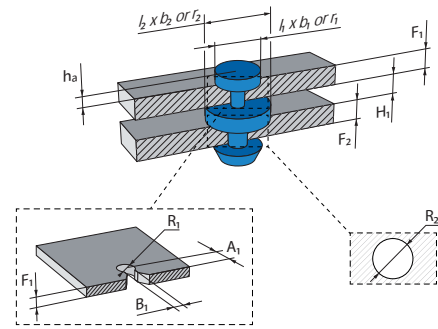


All dimensions in mm / Other dimensions and variants on request.

Ref.	Design	L1 x B1	Y1 x X1	F1	ha	hb
211266				0.7		
137669		16 x 5.9-6.1	1-2 x 16 min	1.5-2	13	8.5

# PRE-MOUNTED PANEL FASTENERS

## DOUBLE HEADED CLIP - ROUND HOLE MOUNT

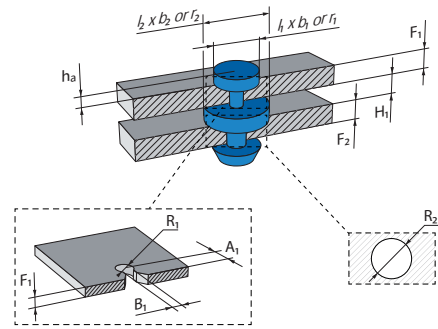


All dimensions in mm / Other dimensions and variants on request.

Ref.	Design	R1	B1	F1	R2	F2	hb	ha	b1	d	l x b x h
243367						0.7	8.75			18	
248385					8.3-8.5	1.2-1.6	8.7-9.1			16.2	
152846			4	1.25				2			13.2 x 13.2 x 18.2
221464			5-5.4	1.7-2.3	8.4-8.6	0.8-2	8.7-9.7	1.1-1.3		17.7	
219209			5.5	2.2				1.2			13.2 x 13.2 x 19.3
232984		3		2.8	3			1.05-1.55		12.75-13.25	
232503		4.4-4.6	3.9-4.1	2	9.8-10.1	2.2	13.96			16.5-17.5	
168575		5		2.4-2.6	8.7-9.3	0.6-1	17.5	7.1		19.5	

# PRE-MOUNTED PANEL FASTENERS

## DOUBLE HEADED CLIP - ROUND HOLE MOUNT



All dimensions in mm / Other dimensions and variants on request.

Ref.	Design	R1	B1	F1	R2	F2	hb	ha	b1	d	l x b x h
152620		5		3.1	5.6			2			
152719		5.3		3.1			16.5	2			
155132		5.5		3-3.2	5.3			2			
248394		5.5-6.1		2-2.6	8.4-8.6	0.7-1.4	9.3-10			15	
206152		6		1.5	8	2-2.5	10			16	16 x 16 x 16.1
248398		6	3.6	2.5	8.3	1-1.5	10	1.73		17.7-18.3	18 x 18 x 39.93
242261		6.5	3.9-4.1	0.7		2	7			9.5-10.5	
234279		6.8-10.8	3.7-3.9	2.3-2.5	8.85-9.35	0.6-2	10.3-11.3			18.5	
252270		7.8-8.2	5-5.4	1.7-2.3	8.4-8.6	0.8	9.1	1.2		17.7	

# PRE-MOUNTED PANEL FASTENERS

## DOUBLE HEADED CLIP - ROUND HOLE MOUNT

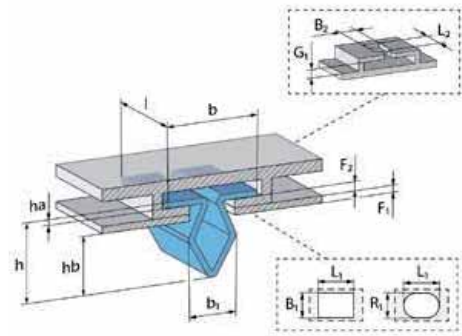


All dimensions in mm / Other dimensions and variants on request.

Ref.	Design	R1	B1	F1	R2	F2	hb	ha	b1	d	l x b x h
155167		7.9-8.2	7.9-8.2	3	8.5-8.7	0.7-0.9	14	1.4			
256317		8	5.5	2.3-2.5	8-8.3	0.65-1.6	13.1			9.5	18 x 18 x 22
247033		8.5	5.2	2.5	8-8.2	0.6-6	14.9			19.7	
244740		10	4	4	11.8	2	3.8				
225943		10.06	3.75	0.7	4.5		13	0.7-11.1		16.5-17.5	
204501		10.2		1.47	7.2	1.47	10	2		12.3	
201481		10.2		2.5		3	10.75		10		21 x 21 x 23
132351		21		2.5		1.5	15		10		21 x 21 x 22.5

# PRE-MOUNTED PANEL FASTENERS

## DOUBLE HEADED CLIP - OBLONG / RECTANGULAR HOLE MOUNT



All dimensions in mm / Other dimensions and variants on request.

Ref.	Design	F1	F2	L2 x B2	G1	hb	ha	b1	l x b x h
207109						7	1.6	7.9	8.3 x 14 x 13.1
224039						10.2	4.1		17.5 x 9 x 18.9
249879					1.7-1.9		13.1	7.9-7.3	8.3 x 10 x 13.1
233031		0.65	3.35-3.75	11.6 x 2.5	1.7	11.1		8.7	13.7 x 9 x 16.4
151900		0.7			4.5	16.8	0.6	8.1-9.7	9 x 17 x 21.8
151572		0.75			5	10.4	1.7	8.6-9.2	9 x 10.6-11.9 x 17
151455		0.75			5	13.3	1.6	8.7-9.3	9 x 10.8-11.8 x 17.3
019449		1	3	9.3 x 3.3	1.7-1.9	8.1	1.2	7.9	8.3 x 13.9 x 13.1

# PRE-MOUNTED PANEL FASTENERS



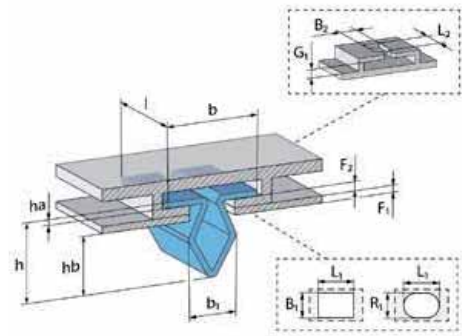
## DOUBLE HEADED CLIP - OBLONG / RECTANGULAR HOLE MOUNT

All dimensions in mm / Other dimensions and variants on request.

Ref.	Design	F1	F2	L2 x B2	G1	hb	ha	b1	l x b x h
225979		1-2.8	1-2.8	15 x 6.8-7	1.4	14.2		13.4	19.6 x 15 x 18.1
218160		1.2	1.5			11.5		19-20.2	36 x 22 x 16
233802		1.5	1.4			11.5		19-20.2	36 x 22 x 16
151918		1.75	3	9.4 x 4		10.5	1.2	6.5-7	9 x 10 x 16.5
212576		2	1.5	9 x 11.1	0.9	12.6		10	10.4 x 9 x 17
221361		2	2.4	9.4 x 4		7.9	1.2	6.5-7	9 x 10 x 14.5
221360		2	2.4	9.4 x 4		9.9	1	7-7.5	9 x 10 x 16.5
229805		2	2.4	9.4 x 4		11.15	1	7-7.5	9 x 10 x 16.5
221359		2	2.4	9.4 x 4		16.7	1.2	6-6.3	9 x 10 x 22.3
221376		2	2.4	9.4 x 4		16.7	1.2	6.5	9 x 10 x 22.3
155052		2.2	3.5	16 x 7.5		7.6	0.9	9.5-10.5	6.5 x 18.9 x 14.7

# PRE-MOUNTED PANEL FASTENERS

## DOUBLE HEADED CLIP - OBLONG / RECTANGULAR HOLE MOUNT

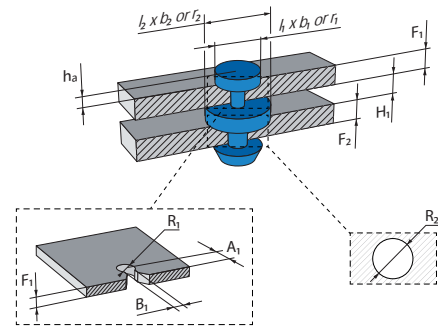


All dimensions in mm / Other dimensions and variants on request.

Ref.	Design	F1	F2	L2 x B2	G1	hb	ha	b1	l x b x h
227171		3.12-3.32		20.2 x 6	1.3	12.2	1	12.5	15.7 x 6.3 x 15
151778		3.5	2	8 x 10	3.5	8.5	1.8	10.8	6.5 x 18-20 x 14.3
151799		4.4		9.4 x 15		10.9	1.2	6.5-7	9 x 10 x 16.5

# PRE-MOUNTED PANEL FASTENERS

## DOUBLE HEADED CLIP - ROUND HOLE MOUNT - UMBRELLA

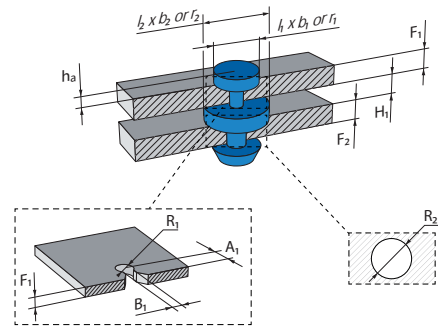


All dimensions in mm / Other dimensions and variants on request.

Ref.	Design	R1	B1	F1	R2	F2	hb	ha	b1	d	l x b x h
003072					7.4	0.7	5.8			13	
238262				1.3	5.8-6.2	1	4.5				
207320				3	8.5		11.2				12 x 10 x 15
057273			0.9	0.7			12.8		4.5		23 x 21.5 x 20.3
206089		2.2		1.9	4.9	4.4				16	
152694		4		2.6	5-5.2	1.1	7.2	0.8			
216083		4-5	4.1-4.3	1-2.8	8.05-8.3	0.62-1.5	8.8			17.1	
017961		4.4-4.6		2.4-2.6	5-5.2	0.7-0.85	7.15-7.3	0.8		13.5	

# PRE-MOUNTED PANEL FASTENERS

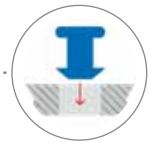
## DOUBLE HEADED CLIP - ROUND HOLE MOUNT - UMBRELLA



All dimensions in mm / Other dimensions and variants on request.

Ref.	Design	R1	B1	F1	R2	F2	hb	ha	b1	d	l x b x h
237692		4.5-4.7		1.49	4	2.9-3.1	8			14	
212996		4.5-5		2	6.5-6.7	0.7-0.8	8	0.8			12 x 12 x 12.8
201141		5		1.9	8.2	0.7	8	2		12	12 x 12 x 16
208361		5		2-3	8.4	0.8	13.2	1.3			17.4
212768		5-6		1.5-1.9	6.6-7.4	1-2	10	2		16	16 x 16 x 16.65
222023		5-6	3.65-3.95	1.7 min	8-8.25	0.6-2	6				14.3
245075		5-8	3.65-3.95	1.7	8-8.25	0.6-2	6				14.3
200975		5.4-5.5		2.2-2.4	7.9-8.2	0.8-1.6					16
175049		5.7		2.4	8.4	0.7-0.9	11	1			

# PRE-MOUNTED PANEL FASTENERS



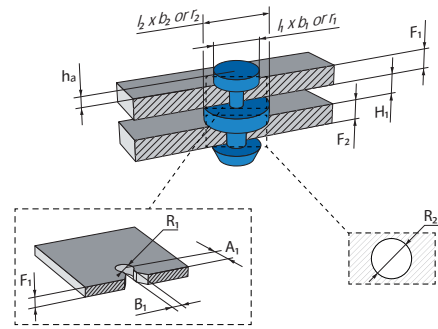
## DOUBLE HEADED CLIP - ROUND HOLE MOUNT - UMBRELLA

All dimensions in mm / Other dimensions and variants on request.

Ref.	Design	R1	B1	F1	R2	F2	hb	ha	b1	d	l x b x h
200862		5.8-6.2		3	8.5-8.7	0.7	13.3	1			
229664		5.9-6.1		1-1.8	7.9-8.1	1-1.8	17-17.8			16	
082664		6		1.9	8-8.2	3-3.2	7.6	1		18	
235549		6-10	5-5.4	1.7-2.3	7.9-8.1	0.8-1.5	10			20	
228504		6.1	5.1	1.5	8.08-8.3	0.7-1.2	11	1.7			20 x 17.8 x 18.5
152252		6.2	5.2	2-2.7	9.5-10.5	0.6-0.8	13.1	1.3			
018769		6.2-6.4		2.1-2.3	8-8.2	2.9-3	12.7			16	
205076		6.2-6.4		2.25-2.45	7.9-8.1	2.6-3	10.1			16	
155069		6.5	8.2-8.6	2.1	8.3-8.7	1	11.4	0.9			
003209		6.5-7				0.9-3				16	
248415		6.8-7.2	5-5.2	2.1-2.3	8.3-8.5	0.65-1.4	7.7			13	18 x 18 x 16.9

# PRE-MOUNTED PANEL FASTENERS

## DOUBLE HEADED CLIP - ROUND HOLE MOUNT - UMBRELLA



All dimensions in mm / Other dimensions and variants on request.

Ref.	Design	R1	B1	F1	R2	F2	hb	ha	b1	d	l x b x h
225945		7.2	3.36	2	8.05-8.3	1.5	4.3	0.8-1.2		14.5-15.5	
222107		7.8	4.7	2.4	8.4-8.6	0.7-1.4	11.8	1			18 x 18 x 18.2
208725		7.8-8.2	3.8-4	1.7-1.9	8.9-9.1	0.9-1.1		2.5			
232111		7.9-8.1	4.8	2.55-2.75	7.9-8.1	0.7-1	9.4	0.8			18.5 x 18.5 x 17.9
232777		8	3	2.6-2.8	8.5-8.7	3.5-4	13	1.2			20.6 x 20.6 x 19
221130		8	4.4	2.5	7.9-8.1	1.5-2.5	11.4	1.4			20 x 20 x 19.5
152444		8	4.8	2.65	7.9-8.1	0.7-1	9.9-10.2	0.8		18.5	
210041		8 min		2.3-2.7	8 min	0.9				17.7-18.3	
014274		8-8.2		0.8	11.5-12.5	1-1.2	16.4-16.6			22	

# PRE-MOUNTED PANEL FASTENERS



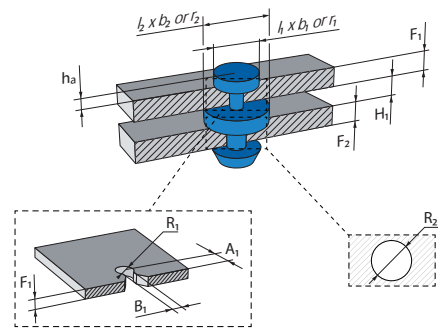
## DOUBLE HEADED CLIP - ROUND HOLE MOUNT - UMBRELLA

All dimensions in mm / Other dimensions and variants on request.

Ref.	Design	R1	B1	F1	R2	F2	hb	ha	b1	d	l x b x h
231288		8.05-8.25	4.2	2.8	8.05-8.3	0.62-1.5	9.8	1.5			18 x 18 x 17.1
205317		8.1-8.3		1-1.1							
223607		8.1-8.3		6.1-6.3		1.3-1.5	7	1.5			12 x 12 x 13.1
232112		8.1-8.5	5.2	2-2.63	8.1-8.5	0.7-1	10.5	1.2			18 x 18 x 18
155068		8.2-8.44		0.8	10.2	2	7.5	8			
227131		8.3		0.7-2			13.6				
228673		8.3-8.52		0.7		2	13.1-14.1				17.5-18.5
228672		8.5		0.7-0.8			16.4-16.6				18
152605		8.5		2-2.6	8.1-8.4	0.8 max	12	1.2			
155060		8.5	5.2	2-2.6	8	0.7-1	14.4	0.9			
152296		8.5	5.2	2-2.6	8	0.7-1	14.4	0.9			

# PRE-MOUNTED PANEL FASTENERS

## DOUBLE HEADED CLIP - ROUND HOLE MOUNT - UMBRELLA

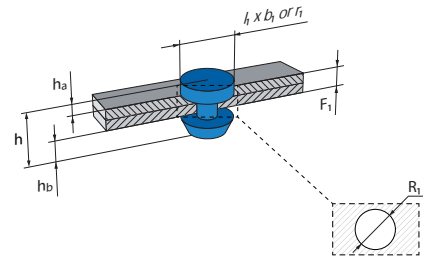


All dimensions in mm / Other dimensions and variants on request.

Ref.	Design	R1	B1	F1	R2	F2	hb	ha	b1	d	l x b x h
152283		8.5	5.2	2-2.63	8	0.8	10.6	0.9			
152153		8.5	5.2	2-2.63	8.4-8.62	0.9 max	12.7	0.7			
229703		8.5	5.2	2-2.7	8.1-8.5	2.2-2.7	12				18 x 18 x 19.8
242325		8.8-9.2	9	5.9-6.1	7.4-7.5	4.4-6	14.4	1.5-1.9		15.5	
224999		9.2		0.6-2				2			
016178		9.3-9.7		1.6-2	8-8.2	0.9-1	11			18	
132429		11	10.8	0.6-1.2	10.2		7.6				24.9 x 18.5 x 15.2
204744		17.7 min	8.2	2	8-8.25	0.77	6			17.7	

# PANEL PIN - PUSH-PIN

## ROUND HOLE MOUNT - ANCHOR

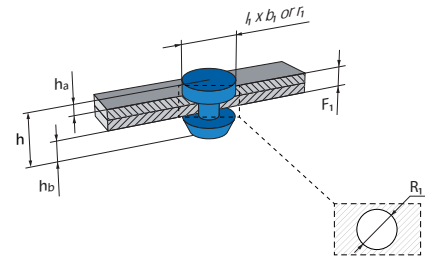


All dimensions in mm / Other dimensions and variants on request.

Ref.	Design	R1	F1	ha	hb	d	l x b x h
053862		3-3.4	1.5-2	1.8	6.6	7.1	
219853		3.4-3.6	1.4-1.6	1.5	3.9		12 x 8.6 x 8.79
017208		3.8-4.05	1.6-3.2	1.3	6.8-8.4	6.9	
210295		3.8-4.05	1.6-3.2	1.8	5.7-7.3	6.9	
243677		4	0.7	1.8	11.7		16 x 16 x 15.8
223878		4	9	1.5	3	6.8	
152277		4.7-4.9	4.8-5.2	1.6	9.5-9.9		
057285		5.05-5.25	3.5-3.9	2	5		17 x 8.4 x 10.9

# PANEL PIN - PUSH-PIN

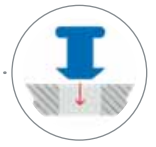
## ROUND HOLE MOUNT - ANCHOR



All dimensions in mm / Other dimensions and variants on request.

Ref.	Design	R1	F1	ha	hb	d	l x b x h
244070		5.4-5.6	0.6-0.8	1.3	6.5		
052998		5.4-5.6	3.2-4.8	1.5	8.9-10.5	9.4	
238722		5.7	0.75	1.51	5.93		
052482		5.8-6.2	6-7.5	2.5	10	12	
057193		5.9-6	2-2.6	2	17	15.7	
214203		6-7	3.2	1.7	6	11.7	
130270		6.05-6.25	5.7-7	2.5	6.65	30	
131840		6.2	4.7		6.8	11.8	
015070		6.2-6.45	3.2-4.7	1.5	5.3-6.8	12.4	

# PANEL PIN - PUSH-PIN



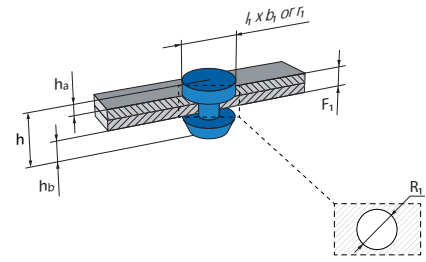
## ROUND HOLE MOUNT - ANCHOR

All dimensions in mm / Other dimensions and variants on request.

Ref.	Design	R1	F1	ha	hb	d	l x b x h
053976		7-7.25	3.2-4.7	2.2	9.75	14.2	
247208		7.8-8.2	1.8-3.4	1	11.5		19.03 x 10 x 14.86
057177		8.2	3.5 / 4.9	2.2	8.9 / 10.3	18	
152304		8.4-8.62	8-8.3	2.5	10-10.3	18	
235184		8.5	12.5	2.7	4.5		

# PANEL PIN - PUSH-PIN

## ROUND HOLE MOUNT - FIR TREE



All dimensions in mm / Other dimensions and variants on request.

Ref.	Design	R1	F1	ha	hb	d	l x b x h
226017		4.55-4.95	0.76-7.92	2.54	4.24-11.4		
235498		5.8	2-16	1.6	9-23		
214847		5.8	4.5-8	2.5	7.7	18	
205304		5.8-6	2-4	1.5	3-5		6.6 x 12.7 x 9.15
012271		6-6.2	3.5-11	3	4-11.5	17	
224615		6-6.6	2.5-7	2.5	7.5-12		
163904		6.05	0.76-7.4	2.5	11	16	
246647		6.1-6.5	1-10	2	5.9		12 x 12 x 20

# PANEL PIN - PUSH-PIN



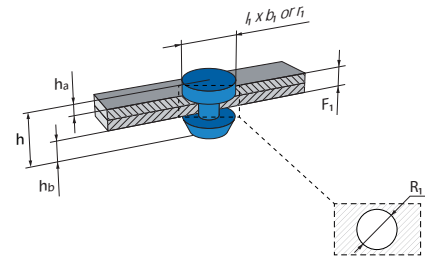
## ROUND HOLE MOUNT - FIR TREE

All dimensions in mm / Other dimensions and variants on request.

Ref.	Design	R1	F1	ha	hb	d	l x b x h
132140		6.2	3.5	1	3.6	10	
212147		6.35-6.6	18.7-29.25	2.5	18.3-7.75	30	
018369		6.4-6.6	3-6	2.55	3.05-6.05	12	
205300		6.5	4	3			11.5 x 10.7 x 18.85
052709		6.5	4.8-8.1	3	5.5	14	
233284		6.5	10	2.5	4.5	27	
017905		6.5-6.7	0.5-4	1	3-6.5	12	
231975		6.5-6.7	2-9			20	
226330		6.5-6.7	3-12	2.5	6-15		
219187		6.5-6.7	3.4-14.4	2.5	11.9	20	
227671		6.5-6.7	3.4-19.4	4	7.1-23.1	26	

# PANEL PIN - PUSH-PIN

## ROUND HOLE MOUNT - FIR TREE



All dimensions in mm / Other dimensions and variants on request.

Ref.	Design	R1	F1	ha	hb	d	l x b x h
256514		6.5-6.9	0.8-8	1.9	7.43-14.63	14	
210662		6.55-6.75	18	1.8	17.2	18	
231653		6.6	3-13	2.49	7.41-17.41		
222466		6.8-7	3-17	1.85	9.5-18.5		
247581		6.8-7.1	1.9-8	1.5	7-13.1	20	
240864		6.9-7.1	3-19	2	9-25		
175047		7	2-9	2.5	10-17		
163371		7	3.4-18		6-21		24 x 26.4 x 24
013949		7-7.2	3-7	1.6	5-9	14	

# PANEL PIN - PUSH-PIN



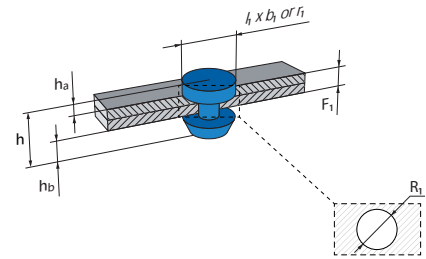
## ROUND HOLE MOUNT - FIR TREE

All dimensions in mm / Other dimensions and variants on request.

Ref.	Design	R1	F1	ha	hb	d	l x b x h
208006		7-7.2	7.2	1.7	4.8	15	
152004		7-7.3	4-10	4	6-12		
204974		7-7.4	0.7-11	2		18	
152500		7-7.4	2.7-8.7	2	6.6-12.6		
229266		7-7.4	3-6.5	2	11		
207633		7.1-7.3	2.75-8	2.5			
201698		7.1-7.3	3-16	2	6-19	16	
228424		7.1-7.3	3-16	2	6-19	20	
213614		7.4-7.6	0.7-11	2	11.1-21.4	18	
152263		7.4-7.8	0.7-11	2	11.1-21.4		
152716		7.4-7.8	0.7-11	2	11.1-21.4		

# PANEL PIN - PUSH-PIN

## ROUND HOLE MOUNT - FIR TREE



All dimensions in mm / Other dimensions and variants on request.

Ref.	Design	R1	F1	ha	hb	d	l x b x h
206987		7.8-8.1	1.25-8.4	1.7	4.6-11.75	11.5	
016397		7.8-8.2	2.5-10	2	4-11.5	20	
055481		7.8-8.2	2.5-18	2	3.5-19	7	
240318		7.8-8.2	3-21	2.2	11-29		
130341		8	1-7	1	6-12	11.2	
220190		8	2.5-12	1.5	8.5-18		
205728		8	3.7-24.4	2		20	
016555		8-8.2	3.5-21.5	3.5	5-23	27	
104012		8-8.3	1.5-7	2.5	7.5-13		

# PANEL PIN - PUSH-PIN



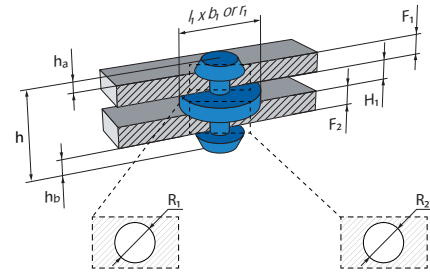
## ROUND HOLE MOUNT - FIR TREE

All dimensions in mm / Other dimensions and variants on request.

Ref.	Design	R1	F1	ha	hb	d	l x b x h
012301		8-8.5	3-14	2.75	6-17	20	
015749		8.4-8.6	2.9-6.9	2	4.8-8.8	25	
152144		8.4-8.62	2.7-6	2.5	9.6-12.9		
015009		9.5-9.7	3.5	5.5	18	22	
112121		10.08-10.3	3-10	3	15-22		
054364		10.2	2-13	4		35	
200258		11.05-11.25	13.9-14.1	3.8	4.2-4.4	22	
235499		16	2.5-10	3	15.5-23		
233006		18		2.5	5.8		

# PANEL PIN - PUSH-PIN

## ROUND HOLE MOUNT - 2 PANELS



All dimensions in mm / Other dimensions and variants on request.

Ref.	Design	R1	R2	H1	F1	F2	ha	hb	d	l x b x h
129120		3.4-3.6	5.05-5.25	1-1.4	1.3-1.7	0.82-0.88	1.5	3.3		12 x 8.6 x 13.15
222316		3.7	5.2	0.6	1-2.5	1-4	1.8	3-6.7	9	6 x 14 x 13
250000		4-5	5-5.2	1.9	1.5	0.8-1	1.5	5.5	10	12.5 x 10 x 11.5
219904		4.5-5	5.8-6.17	1.5	1.3	0.7-0.9	1.3	4.5	8.8	5.5 x 13.8 x 9.5
246801		5.1-5.3	5	0.6	2.4-2.6	2.5	1.8	6.5	9	14 x 9 x 13.3
251737		5.5-5.9	5	0.3	0.7-1.5	2	2	4.2		15 x 5.5 x 10
228637		6.3	5-6.3	2	0.8-1.2	3.2-4.5	11.2	12.3	14.8	
055162		6.5		1.25	2-2.5	2.7-8	2.3	7	16	

# PANEL PIN - PUSH-PIN



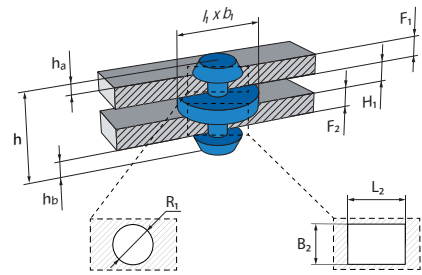
## ROUND HOLE MOUNT - 2 PANELS

All dimensions in mm / Other dimensions and variants on request.

Ref.	Design	R1	R2	H1	F1	F2	ha	hb	d	l x b x h
057669		6.5	6.3	5.2	0.6-0.8		9	6	20	
208258		6.5-7.1	6.5-7.1	21-22	1.2-1.7	1.2-1.7	7	7		8 x 16 x 38
208274		12.2	12.2	3.73	0.67	0.97	6.2	6.5		
205572		15	6.2-6.4	2.1	0.7	3	18	6.5	14	
212423		16			15		16.5-17.5	5	29.5-30.5	

# PANEL PIN - PUSH-PIN

## ROUND RECTANGULAR HOLE MOUNT

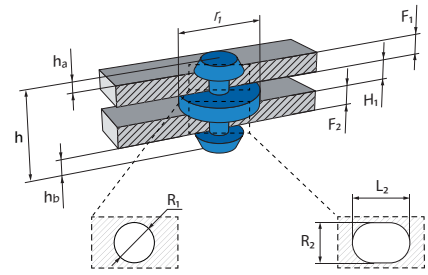
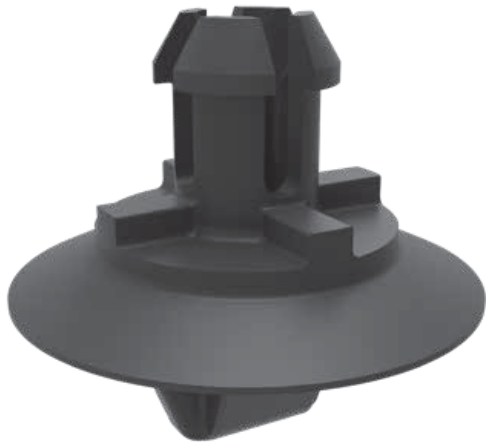


All dimensions in mm / Other dimensions and variants on request.


Ref.	Design	H1	R1	F1	F2	ha	hb	d
211844		4.4	8.05-8.3	0.8-1.2	1.85-2.15	11.25	5.5	
205333		4.47	7.85-8.05	1.67-1.87	1.9-2.1	14.4	5.26	11

# PANEL PIN - PUSH-PIN

## ROUND OBLONG HOLE MOUNT

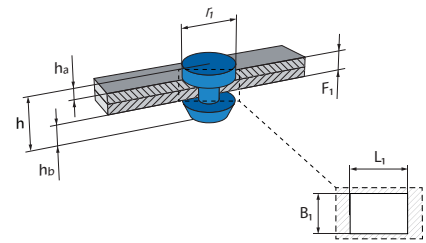


All dimensions in mm / Other dimensions and variants on request.

Ref.	Design	H1	R1	F1	F2	hb	ha	d
212475		4.6	8	0.8-0.9	4-5.8	8.5	3.5	26

# PANEL PIN - PUSH-PIN

## RECTANGULAR HOLE MOUNT - 1 PANEL

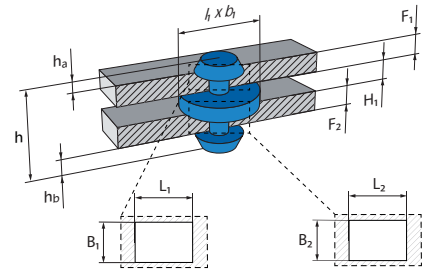


All dimensions in mm / Other dimensions and variants on request.

Ref.	Design	L1 x B1	F1	hb	ha	d
207713		L1 x B1	8.1-9.1	9.35	3	23.5
205827		L1 x B1	0.77-1.47	15.8	2.8	25
223421		L1 x B1	4.5	11	3	25

# PANEL PIN - PUSH-PIN

## RECTANGULAR HOLE MOUNT - 2 PANELS

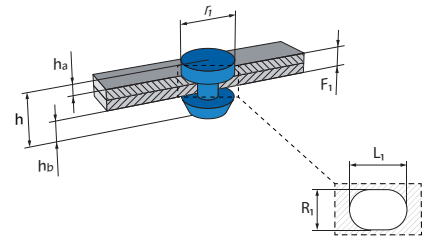


All dimensions in mm / Other dimensions and variants on request.


Ref.	Design	L1 x B1	F1	L2 x B2	F2	H1	ha	hb
226492		11.9-12.1 x 5.1-5.3	2.6-3	12-12.3 x 5.1-5.3	0.9-1.1	2.2	3	4
212895		5.8-6.2 x 8.1-8.5	2.6-3	8-8.25 x 5-5.25	0.6-0.8	4.6-5.4	6.8	5

# PANEL PIN - PUSH-PIN

OBLONG HOLE MOUNT - 1 PANEL

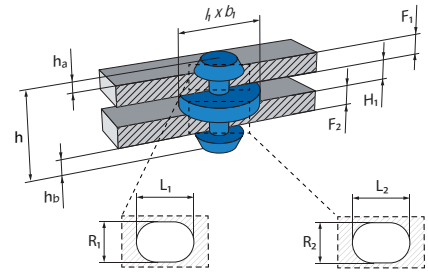


All dimensions in mm / Other dimensions and variants on request.


Ref.	Design	L1 x R1	F1	hb	ha	d
232280		9.2 x 7-7.4	7-16.5	7.4-16.9	2	23.5-24.5

# PANEL PIN - PUSH-PIN

## OBLONG HOLE MOUNT

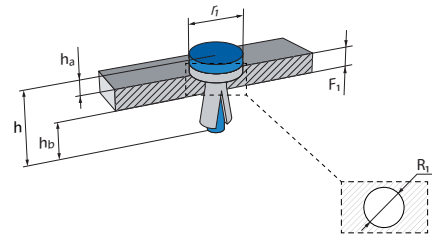


All dimensions in mm / Other dimensions and variants on request.

Ref.	Design	H1	R2	F2	L2	hb
247661		5.1	6.05-6.4	0.5-5	12.05-12.6	10-14

# PANEL PIN - PUSH-RIVET

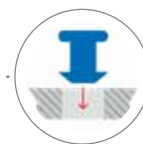
## ROUND HOLE MOUNT



All dimensions in mm / Other dimensions and variants on request.

Ref.	Design	R1	F1	ha	hb	d	l x b x h
062268		3.5	2-5	2	5	6.2	
152259		4-4.1	2-3	1	7.3	7.7	
063277		4-4.2	2-6	1	3.5-7.5	8	
232000		4.1-4.4	11.4	2.2	13.4		
018795		4.55-5.15	3-6	3	5.5-8.5	15	
152038		4.6	2-3	9.2	22.7		
012696		4.95-5.55	3-8	2	3.5-8.5	10	
052141		5-5.2	1.5-5	2	7.5	10	

# PANEL PIN - PUSH-RIVET



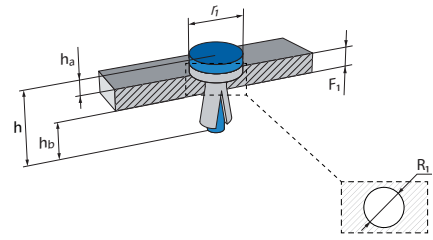
## ROUND HOLE MOUNT

All dimensions in mm / Other dimensions and variants on request.

Ref.	Design	R1	F1	ha	hb	d	l x b x h
052142		5-5.2	1.5-5	2.3	7.5	7.5	
062314		5-5.2	2.5-8	2	9.4	10	
205230		5-5.4	8-14	3	2.5-8.5	10	
243111		5-5.5	0-4	3	7-9		10 x 10 x 14
017362		5.05-5.25	3.8	4.1	5.5	12	
175069		5.1	1.5-5	2.3	2.5-6	8.5	
013840		5.5-6.4	2.5-7	2	4-8.5	16	
231054		5.8-6.2	4.3	2.46	5.7	22	
052607		5.9-6.4	4.5-9	3	6	10	
064166		6	0.7-2.5	10	3.5-5.3	11	
020644		6-6.4	2-4	2.7	4.9-6.9	11	

# PANEL PIN - PUSH-RIVET

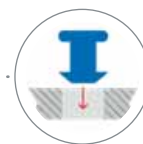
## ROUND HOLE MOUNT



All dimensions in mm / Other dimensions and variants on request.

Ref.	Design	R1	F1	ha	hb	d	l x b x h
210975		6.1-6.3	2-5.8	4.1	3.5-7.3	12	
061712		6.2	2-4	3.3	5-7	9.8	
060953		6.2	3-5.8	4	11.8	12	
061110		6.2	5.8-10	3.4	14.2	12.1	
055791		6.2	6	10	6.5	11	
223360		6.25-6.53	4.5-7	3.7			
202493		6.35-6.55	3-10	2.6		22	
063863		6.5	1.5-6.5	2	5.5-10.5	10	
226578		6.9-7.1	4-6	2.5	12.8-14.8		

# PANEL PIN - PUSH-RIVET



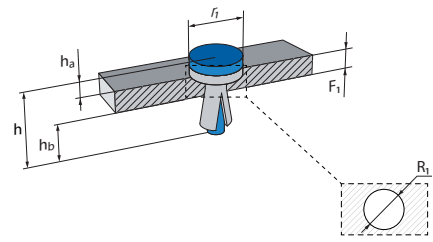
## ROUND HOLE MOUNT

All dimensions in mm / Other dimensions and variants on request.

Ref.	Design	R1	F1	ha	hb	d	l x b x h
208360		7-7.7	2-12	2.5	5-15	22	
222115		7-7.8	5-16	2	5-16		
128954		7.2-7.8	4-6	2	5-15	15	
212943		7.25	3-10	7.5	4-11		
003059		7.4-8.4	1-2	13.5	9	16	
175180		7.8-8	4-5	1.5	3.5-6.5	12	
016867		7.8-8.8	0.8-9.5	3.5	2.8-11.5	17	
168966		7.8-9.1	2-8	3.8	10	20	
232776		7.9-8.1	3.5-9	3.8	3.1-8.6		
013011		7.9-8.7	4-7	2	5-8	16	
057450		8	2	8.2	6	19.5	

# PANEL PIN - PUSH-RIVET

## ROUND HOLE MOUNT



All dimensions in mm / Other dimensions and variants on request.

Ref.	Design	R1	F1	ha	hb	d	l x b x h
152830		8	5.8-8.7	3	16-19		
064060		8-8.2	5.5-10	2.5	15	19	
250748		8-8.3	2-8	3.2	6-12	20	
003096		8-8.6	5-10	3	4.9-9.9	12.6	
017385		8-8.6	5.5-10	3	5-9.5	13	
201793		8.05-8.3	2-7.5	3.2	5.5-11	20	
234854		8.05-8.35	4-8	3.2	5	20	
222927		8.05-8.35	4-8	3.2	5-9	20	
221692		8.05-8.6	3.5-9	3.2	5-10.5	20	

# PANEL PIN - PUSH-RIVET



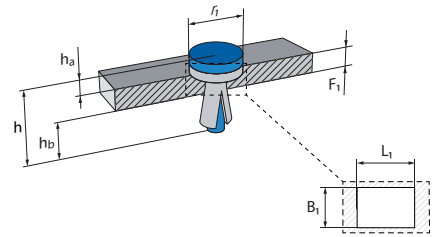
## ROUND HOLE MOUNT

All dimensions in mm / Other dimensions and variants on request.

Ref.	Design	R1	F1	ha	hb	d	l x b x h
243766		8.1-8.3	2-6	3.15	7-11	19.8	
070195		8.2	2.5-7.5	4	2.8-7.8	20	
228913		8.5-8.7	5-8.5	4.1	5-8.5		
243557		8.7-9.1	2.25-4.75	3.2	8.25-10.75		
223043		9.1-9.3	3.8-9.3	5	7.2-12.7	20	
152759		9.5-10.5	3	11.5	3.5		
209626		9.5-10.5	3.65-4.05	11.5	3.25-3.65		

# PANEL PIN - PUSH-RIVET

## RECTANGULAR HOLE MOUNT



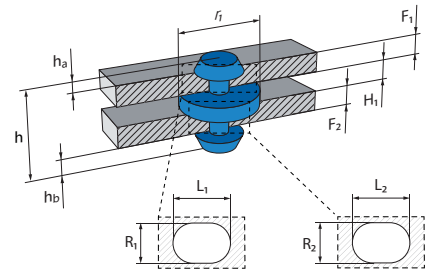
All dimensions in mm / Other dimensions and variants on request.

Ref.	Design	L1 x B1	F1	hb	ha	d	l x b x h
152836		10 x 8-8.2	0.75-2.9	15	6		
247407		9 x 7.6	4.2	4.8	2.8	7.8	14.02 x 12.5 x 11.8 / 19.8

# PANEL PIN - QUARTER TURN AND OTHERS



## OBLONG HOLE MOUNT - 2 PANELS

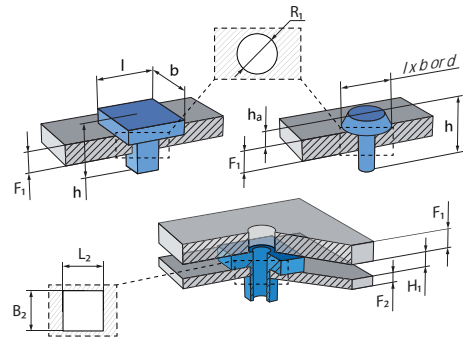


All dimensions in mm / Other dimensions and variants on request.

Ref.	Design	L1 x R1	L2 x R2	F1	F2	H1	hb	ha	d	l x b x h
236632			14.2 x 7.2	2.5	3	3	4.25			22 x 15 x 26.76
204058			14.2 x 7.2	5.4	0.67	5.6	9	15	22	22 x 22 x 29.44
241395		12.2-12.5 x 6.2-6.5	10.5-11.5 x 7.8-8.2	0.8	1.3	2.85	9.5	2.5	20	

# PANEL PIN IN TWO OR MORE PIECES

ROUND HOLE - SQUARE HOLE

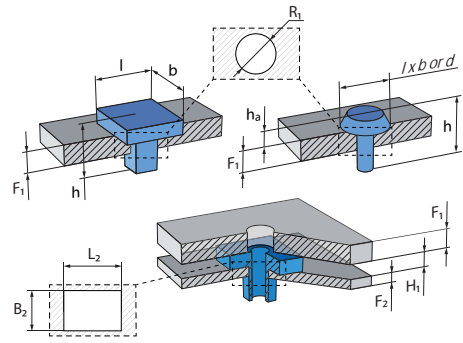


All dimensions in mm / Other dimensions and variants on request.

Ref.	Design	Associated products	R1	F1	F2	H1	B2 x L2	ha	h	l x b or d
055528		055529	7.5-9	2-4.5	0.7-3	0-3	11.05-11.25 x 11.05-11.25	4	23.5	16.1
055529		055528	9.1	2-4.5	0.7-3	3.81	11.05-11.25 x 11.05-11.25	1.2	9.5	22.9 x 12.2
057372		055528		2-4.5	0.7-3	3.7		2.5	2.3-2.7	17

# PANEL PIN IN TWO OR MORE PIECES

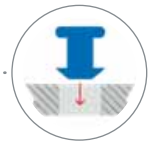
ROUND HOLE - RECTANGULAR HOLE



All dimensions in mm / Other dimensions and variants on request.

Ref.	Design	Associated products	R1	F1	F2	H1	B2 x L2	ha	h	l x b or d
012791		054554 054658 054659	9.5	3.5	0.8-1.2	6.5-7.1	12.7 x 12.7		9.6	19 x 14.6
054554		012791	6	1-3.5	0.8-1.2	4.5	12.7 x 12.7	3.3	21.4	13.5
054658		012791	9.5	3.5	0.8-1.2	6.5-7.1			22.8	19 x 19
054659		012791	9.5	3.5	0.8-1.2	6.5-7.1	12.7 x 12.7	10.7	31.2	19
015726		013756						2.5	6.9	16
055571		132716 053984	9.5	1-1.8	2-2.2	5.6-5.9	12.8 x 12.8		9.6	19 x 14.2
132716		055571	9.5	1-1.8	2-2.2	5.6-5.9	12.8 x 12.8	4.45	24.2	19
053984		055571	9.5	1-1.8	2-2.2	5.6-5.9	12.8 x 12.8	3.3	24.7	13.5

# PANEL PIN IN TWO OR MORE PIECES



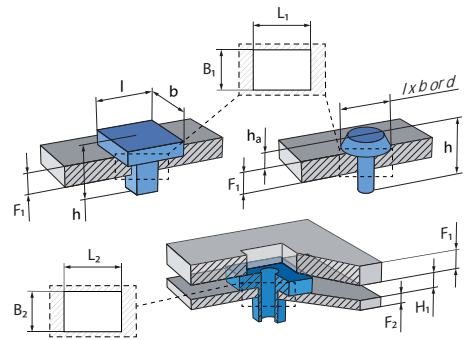
## ROUND HOLE - RECTANGULAR HOLE

All dimensions in mm / Other dimensions and variants on request.

Ref.	Design	Associated products	R1	F1	F2	H1	B2 x L2	ha	h	l x b or d
012791		054554 054658 054659	9.5	3.5	0.8-1.2	6.5-7.1	12.7 x 12.7		9.6	19 x 14.6
054554		012791	6	1-3.5	0.8-1.2	4.5	12.7 x 12.7	3.3	21.4	13.5
054658		012791	9.5	3.5	0.8-1.2	6.5-7.1			22.8	19 x 19
054659		012791	9.5	3.5	0.8-1.2	6.5-7.1	12.7 x 12.7	10.7	31.2	19
015726		013756						2.5	6.9	16
055571		132716 053984	9.5	1-1.8	2-2.2	5.6-5.9	12.8 x 12.8		9.6	19 x 14.2
132716		055571	9.5	1-1.8	2-2.2	5.6-5.9	12.8 x 12.8	4.45	24.2	19
053984		055571	9.5	1-1.8	2-2.2	5.6-5.9	12.8 x 12.8	3.3	24.7	13.5
056762		056763	5.9-6.1	8.7-9				2	10.6	16
056763		056762	5.9-6.1	8.7-9				2	9.5	16

# PANEL PIN IN TWO OR MORE PIECES

## RECTANGULAR HOLES

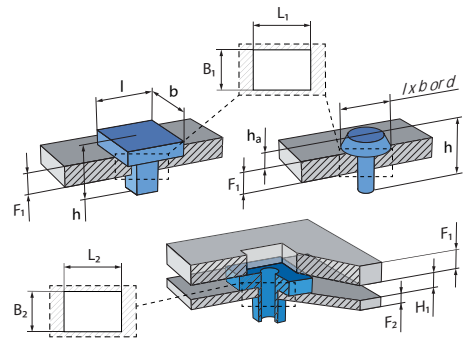


All dimensions in mm / Other dimensions and variants on request.

Ref.	Design	Associated products	B1 x L1	F1	F2	H1	B2 x L2	ha	h	l x b or d
201469		053856 207670	6.7 x 7.5	2.3-2.7	3.1-3.5	3.4	17.3-17.7 x 13.8-14.2	2.1	14.4	13.4 x 16.2
201548		207670		2.5					30.1	26.2 x 15
231239		053856 130928 207670 233525 250630	5.4-5.6 x 7.4-7.6	2.9-3.1	3.2-3.4	1.9-2.5	16.85-17.15 x 12.27-12.53		14.3	18.2 x 21.4
053856		201469 231239	7.4-7.6 x 6.6-6.8	0.7-1	3.2-3.4	2	16.85-17.15 x 12.27-12.53	6.7	20	11 x 11
130928		231239	5.4-5.6 x 7.4-7.6	2.55-2.95	0.7-1	2	13-99 x 16.6- 16.8	5	22.15	10.64 x 11
207670		201469 231239	6.7 x 7.5	2.3-2.7	3.1-3.5		17.3-17.7 x 13.8-14.2	17	26.65	11 x 11
233525		231239	5.4-5.6 x 7.4-7.6	2.9-3.1	3.2-3.4	1.9-2.5	16.85-17.15 x 12.27-12.53	8	23	11.17 x 10.5
250630		231239	5.4-5.6 x 7.4-7.6	2.9-3.1	3.2-3.4	1.9-2.5	16.85-17.15 x 12.27-12.53	8.25	23	11.17 x 10.5

# PANEL PIN IN TWO OR MORE PIECES

## RECTANGULAR HOLES



All dimensions in mm / Other dimensions and variants on request.

Ref.	Design	Associated products	B1 x L1	F1	F2	H1	B2 x L2	ha	h	l x b or d
201469		053856 207670	6.7 x 7.5	2.3-2.7	3.1-3.5	3.4	17.3-17.7 x 13.8-14.2	2.1	14.4	13.4 x 16.2
201548		207670		2.5					30.1	26.2 x 15
231239		053856 130928 207670 233525 250630	5.4-5.6 x 7.4-7.6	2.9-3.1	3.2-3.4	1.9-2.5	16.85-17.15 x 12.27-12.53		14.3	18.2 x 21.4
053856		201469 231239	7.4-7.6 x 6.6-6.8	0.7-1	3.2-3.4	2	16.85-17.15 x 12.27-12.53	6.7	20	11 x 11
130928		231239	5.4-5.6 x 7.4-7.6	2.55-2.95	0.7-1	2	13-99 x 16.6- 16.8	5	22.15	10.64 x 11
207670		201469 231239	6.7 x 7.5	2.3-2.7	3.1-3.5		17.3-17.7 x 13.8-14.2	17	26.65	11 x 11
233525		231239	5.4-5.6 x 7.4-7.6	2.9-3.1	3.2-3.4	1.9-2.5	16.85-17.15 x 12.27-12.53	8	23	11.17 x 10.5
250630		231239	5.4-5.6 x 7.4-7.6	2.9-3.1	3.2-3.4	1.9-2.5	16.85-17.15 x 12.27-12.53	8.25	23	11.17 x 10.5
209895		209896 213189 214356	16.9 x 17.92	3.5	1-1.5		16.05-16.25 x 18.2-99		28.5	24.7 x 20.3

# PANEL PIN IN TWO OR MORE PIECES

## RECTANGULAR HOLES



All dimensions in mm / Other dimensions and variants on request.

Ref.	Design	Associated products	B1 x L1	F1	F2	H1	B2 x L2	ha	h	l x bord
248697		209896 213189 214356	16.9 x 17.92	3.5	1-1.5	7.5	16.05-16.25 x 18.2-99		28.5	24.7 x 20.3
209896		248697 209895	16.9 x 17.92	3.5	1-1.5	0	16.05-16.25 x 18.2-99	0	33.11	23.76 x 20.95
213189		248697 209895	16.9 x 19.92	3.5	1-1.5	7.7	16.05-16.25 x 18.2-99	1.8	25	20.7 x 23.75
214356		248697 209895	16.9 x 17.92	3.5	1-1.5	0	16.05-16.25 x 18.2-99		25.15	20.7 x 21.8
216631		216632 236615		4.5	0.9-1.5	10	12.2 x 14.2		19.8	17.3 x 15.45
216632		216631		4.5	0.9-1.5	10	12.2 x 14.2		18.24	15.7 x 16.8
236615		216631			0.9-1.5			2	18.24	15.7 x 16.8
240664		233496	5.4-5.6 x 7.4-7.6	2.9-3.1	2.65-2.75	1.8-2.2	6.75-6.85 x 12-99	8	21.3	12 x 12

# PROTECTING & FINISHING

PROTECTING & FINISHING



**ELASTIC ANTI CREEPING RING**

Round hole mount ..... p.428  
 Oblong hole mount ..... p.434

**NON ELASTIC ANTI CREEPING RING**

Edge mount ..... p.438  
 Round hole mount ..... p.439  
 Square hole mount ..... p.442  
 Rectangular hole mount ..... p.443  
 Oblong hole mount ..... p.444

**PLUG AND GROMMET - GROMMET**

Round hole mount ..... p.446  
 Oblong hole mount ..... p.448

**PLUG AND GROMMET - PLUG**

Round hole mount ..... p.449  
 Round hole mount - anchor ..... p.454  
 Square hole mount ..... p.457  
 Rectangular hole mount ..... p.458  
 Oblong hole mount ..... p.459

**PLUG AND GROMMET - PROTECTOR BOLT HEAD**

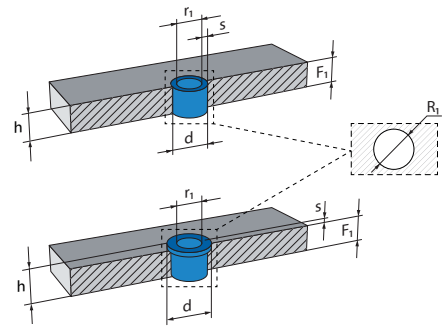
Mounting with other elements ..... p.464  
 Round stud mount ..... p.465  
 Stud mount ..... p.466  
 Threaded stud mount ..... p.467

**WASHER**

Round hole mount ..... p.468

# ELASTIC ANTI CREEPING RING

## ROUND HOLE MOUNT



All dimensions in mm / Other dimensions and variants on request.

Ref.	Design	R1	F1	r1	d	h	s
202527		7.1-7.3	3	5.9-6.2	7.7	3.1	0.5
055438		8-8.2	5.9-6.2	7.6	8.6	6	0.5
131473		8.6	4	6.2	8.9	4	1.2
130037		8.7	3	6.6-6.8	9.1	3	1
038932		8.8-8.9	3-3.1	7.2-5.9	9.2	3	0.8
129081		9	3	8.7-9.3	10.3	3	0.5
222657		9.4-9.7	4.5	8.1-8.7	9.9	4.5	0.5
204303		9.5	5.1	7.8-8	9.95	5.1	0.8

# ELASTIC ANTI CREEPING RING

## ROUND HOLE MOUNT

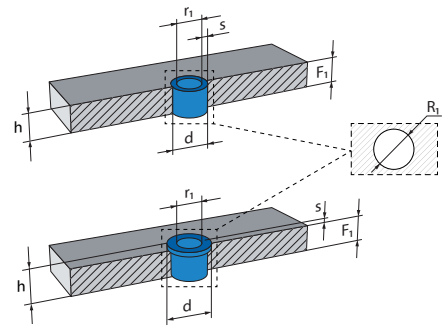


All dimensions in mm / Other dimensions and variants on request.

Ref.	Design	R1	F1	r1	d	h	s
216987		9.5-10	14.8	8	10.1	14.8	1
151499		9.6-9.8	8	8.6-8.8	10	8	0.5
245696		9.6-9.8	9.9-10.1	9.1-9.3	19	10.8	0.8
215995		9.7-9.9	10-10.1	8	10	10	1
207073		9.8	3	8.7-8.9	10.3	3	0.5
129754		9.8	5.5	8.5-8.8	10.3	5.5	0.5
245564		9.9-10	4.9-5	8.2	10.2	5	1
202105		9.9-10.1	3	8.1-8.7	10.4	3	1
131905		10	11.7	8.31-8.51	10.52	11.7	0.8
215481		10-10.2	4	7.8-8.1	10.5	4	1
204803		10-10.2	4.7	8.2-8.5	10.52	4.7	0.8

# ELASTIC ANTI CREEPING RING

## ROUND HOLE MOUNT

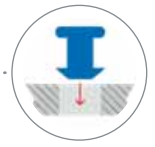


All dimensions in mm / Other dimensions and variants on request.

Ref.	Design	R1	F1	r1	d	h	s
038939		10.1-10.2	6	8.4	10.4	6	1
213165		10.4	3	8.4	10.4	3	1
204304		10.6	12	7.6-8	12.8	12	0.8
218913		10.7	29.6	9.3-9.7	11.2	29.6	0.6
243501		10.7-10.8	5-5.1	9	12	5	1.5
038848		10.7-10.9	3-3.1	9	11	3	1
220003		10.9-11.3	9.9-10.1	10.7	11.7	10	0.5
128689		11	7.8	9.3	11.4	7.8	0.8
128688		11	12	9.1-9.45	11.4	11.8	0.8

# ELASTIC ANTI CREEPING RING

## ROUND HOLE MOUNT

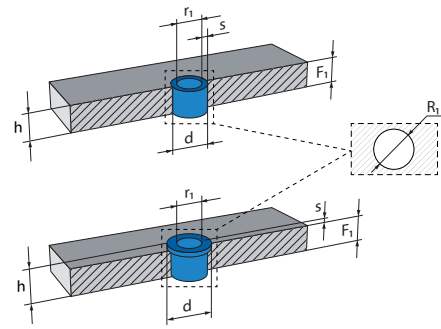


All dimensions in mm / Other dimensions and variants on request.

Ref.	Design	R1	F1	r1	d	h	s
222975		11-11.5	5	8-8.5	11.8	5	1.6
018031		11.4-11.6	6	9.4	11.3	10.5	0.95
020596		11.6-11.8	6-6.2	9.6	11.5	6.2	0.95
055439		12	6	10.1-10.5	12.4	6	0.8
202101		12-12.2	3-3.1	10.8	12.4	3	0.8
213504		12.2-12.4	6	10.7	12.75	6	0.8
055213		12.35-12.55	6	10.75-10.95	12.75	6	0.8
235194		12.5	3.3	10.4-10.6	13	3.3	1
213505		12.5	5.8	11.4-11.6	13	5.8	0.5
055404		12.6-12.8	5.8	13	13	5.8	0.5
216888		13.1	9.8	12-12.2	13.6	9.8	0.5

# ELASTIC ANTI CREEPING RING

## ROUND HOLE MOUNT



All dimensions in mm / Other dimensions and variants on request.

Ref.	Design	R1	F1	r1	d	h	s
202514		13.3-13.7	14.65	12.1-12.7	22.1	15.45	0.8
245562		13.8-13.9	4-4.2	11	14	4	1.5
038935		13.8-13.9	4-4.2	11-10.9	14	4	1.5
055312		13.85-14.05	6	12.25-12.45	14.26	6	0.8
227265		14	5.8	11	14.4	5.8	1.5
223444		15	5	12.7-13	15.4	5	1
205152		15	5	12.7-13.6	15.45	5.8	0.8
216988		15.2-15.5	5.2	14-14.3	15.8	5.2	0.6
243369		15.2-15.5	10	13.7-14.3	15.5-16	10	0.6

# ELASTIC ANTI CREEPING RING

## ROUND HOLE MOUNT

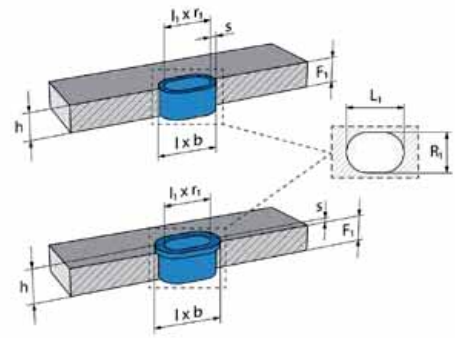


All dimensions in mm / Other dimensions and variants on request.

Ref.	Design	R1	F1	r1	d	h	s
202515		15.4	3	13.3-13.5	15.8	3	1
225767		15.9	5	13.8-14	16.4	5	1
260905		15.9-16.1	11.8	13.9-14.1	16.1-16.7	11.7-11.9	1
210701		16	5	13.7-14	16.4	5	1
237294		16.45-16.7	5.8-6.2	13.5	17.2	5.9	1.5
132644		18.6	6.3	16.9-17.1	19	6.3	0.8
205420		19.5	3.5	17.4-17.6	17.5	3.5	1
210754		20.4	3.45	17.3-17.5	20.7	3.45	1.5
210753		22.4	17.5	19.4	22.9	17.5	1.5
228192		23	21.5	20-20.2	23.3	21.7	1.5
210752		25.9	3	22.8-23	26.4	3	1.5

# ELASTIC ANTI CREEPING RING

## OBLONG HOLE MOUNT

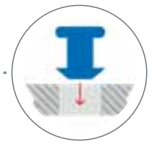


All dimensions in mm / Other dimensions and variants on request.

Ref.	Design	L1 x R1	F1	l1 x r1	l x b	s
257337			5.7-5.8	9.8 x 8	11.8 x 10	1
129226		10 x 8	5.8	9.92-10.08 x 8.7	11.8 x 10	1
241573		10.9-11 x 8.9-9	4-4.1	9 x 7	11 x 9	1
214885		11.5-11.7 x 10-10.2	3.9-4.1	10 x 9.1	11.6 x 10.7	0.8
224509		12.6 x 11.1	3	10.7-11 x 8.7-9	13.1 x 10.6	0.8
245563		13.2-13.3 x 9.3-9.4	3-3.1	11.5 x 7.5	13.5 x 9.5	1
204804		14 x 10	5	12.4 x 8.4	14.35 x 11.05	0.8
131906		14.01 x 10.01	12	12.19-12.51 x 8.19-8.51	14.35 x 11.05	0.8

# ELASTIC ANTI CREEPING RING

## OBLONG HOLE MOUNT

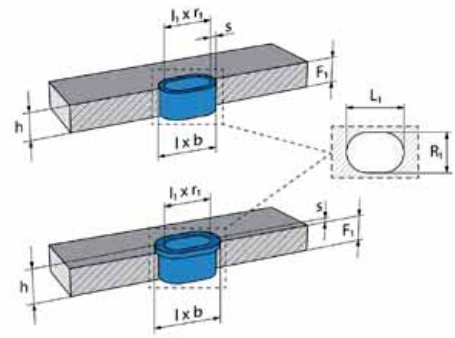


All dimensions in mm / Other dimensions and variants on request.

Ref.	Design	L1 x R1	F1	l1 x r1	l x b	s
130562		14.2 x 10	4	12.6-13 x 6.8-7.1	14.7 x 9.5	1.2
213933		14.4 x 9	7	12.3-12.5 x 6.9-7.1	14.9 x 8.5	1
131424		15.2 x 9.4	4	12.1 x 5.7	15.7 x 8.9	1.2
206444		15.2 x 9.4	4	12.7-12.9 x 6.9-7.1	15.7 x 8.9	1.2
209874		15.2 x 9.4	4	13.5-13.7 x 7.7-7.9	15.7 x 8.9	0.8
230767		15.75 x 12	4.7	12.75 x 9	15.75 x 12	1.5
218080		16.5 x 11.8	4.8	14-14.2 x 9.3-9.5	17 x 11.3	1.2
245561		16.7-16.8 x 10.8-10.9	3-3.1	15 x 9	17 x 11	1
214278		16.7-16.9 x 13.2-13.4	10	14.5-14.8 x 10.5-10.8	17.3 x 12.8	1
205838		16.85 x 12.75	4.7	15.25 x 11.15	17.19 x 13.79	0.8
128949		16.9 x 11.8	3	14.8-15 x 9.7-9.9	17.4 x 11.3	1

# ELASTIC ANTI CREEPING RING

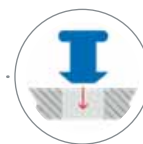
## OBLONG HOLE MOUNT



All dimensions in mm / Other dimensions and variants on request.

Ref.	Design	L1 x R1	F1	l1 x r1	l x b	s
203758		17.2 x 14.3	4	14.8 x 11.9	17.7 x 13.8	1.2
131474		17.9 x 12.9	4	15.4-15.6 x 10.4-10.6	18.4 x 12.4	1.2
207543		17.9 x 12.9	4	16.2-16.3 x 11.2-11.4	18.4 x 12.4	0.8
131459		17.9 x 9.4	4	15.2-15.5 x 6.2-6.5	18.4 x 8.9	1.2
228792		18.5 x 14	8.2	16.3-16.7 x 11.8-12.2	18 x 14.9	1
130330		18.9 x 16.4	4.8	15.6-15.8 x 12.7-12.9	19.2 x 15.9	1.2
246481		19 x 9	12	17.4 x 7.4	19.25 x 10.2	0.8
241128		19.05-19.3 x 16.15-16.4	5.8-6.2	16.1 x 13.2	19 x 17.4	1.5
209013		19.8 x 9.9	3	17.7-17.8 x 7.8-8	20.3 x 9.4	1

# ELASTIC ANTI CREEPING RING



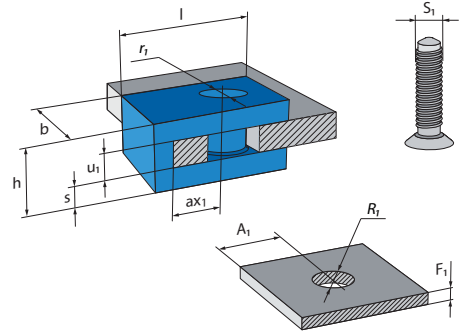
## OBLONG HOLE MOUNT

All dimensions in mm / Other dimensions and variants on request.

Ref.	Design	L1 x R1	F1	l1 x r1	l x b	s
233174		20.3-20.4 x 9.4-9.5	4.9-5	18.6 x 7.6	20.6 x 9.6	1
235227		21.4-21.6 x 12.4-12.6	6.3	20.1 x 11.1	21.7 x 12.7	0.8
202409		22.1-22.3 x 13.4-13.6	4.1	22 x 12	23 x 13	0.5
208723		23.4 x 17.1	3	21.34 x 15.1	24.2 x 16.6	1
218079		23.6 x 11.3	4.8	21.2 x 8.9	24 x 10.9	1.2

# NON ELASTIC ANTI CREEPING RING

## EDGE MOUNT

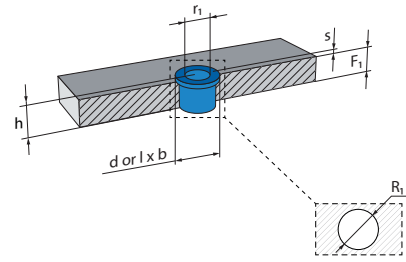


All dimensions in mm / Other dimensions and variants on request.

Ref.	Design	S1	F1	R1	A1	ax1	u1	s	l x b x h
137749			2.8-3.2	11.5-12.5	12.5 max	13	3.3-3.7	0.43	26.4 x 25 x 6.6
137727		M6 x 1,00	2.8	9.1	11.9	13.05	3.5	0.43	26.4-26.5 x 26.12-26.75 x 6.6-3.25
137835		M6 x 1,00	2.8-3.2	9.4	11.9	13.05			26.4 x 26 x 7
138065		M6 x 1,00	5	9.4 min	17.5-18.5	18.35		0.43	28.5-29.5 x 25.5-26.5 x 4.9-5.3

# NON ELASTIC ANTI CREEPING RING

## ROUND HOLE MOUNT

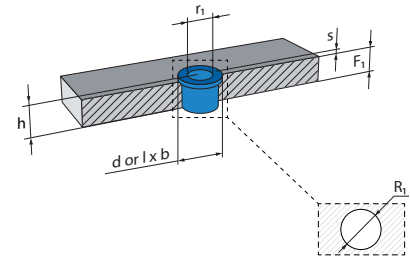


All dimensions in mm / Other dimensions and variants on request.

Ref.	Design	R1	F1	r1	d / l x b	h	s
129314		5	14.4	3.8	5	15	0.6
246255		6.6	3	6.6	6	5.5	0.3
229493		7.5	3	7.4-7.6	16.5	3.3-3.4	0.5
239477		7.9-8.1	2.9-3.1	6.2	16	3.4	0.7
214324		8.8-9	2.8-3	7.4	14	3.2	0.4
151485		8.9	5.8	7.3-7.7	15	6.5	0.7
239480		8.9-9.1	2.9-3.1	7.2	16	3.4	0.7
246518		9.3	4.3	7.3	20	5.4	1.1

# NON ELASTIC ANTI CREEPING RING

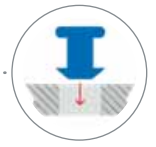
## ROUND HOLE MOUNT



All dimensions in mm / Other dimensions and variants on request.

Ref.	Design	R1	F1	r1	d / l x b	h	s
209627		9.3	6.35	7.7-8.3	13	7.05	0.7
210558		9.45-9.5	3-3.1	6.5	9.6	3	1.55
249713		9.5	4.3	7.3	20	5.4	1.1
243360		9.5	4.3	7.3	20	5.4	1.1
132999		10.2	3.7	8.5-8.7	11	3.7	0.8
227266		10.4-10.6	2.9-3.1	8.4	16	3.8	0.8
236300		10.4-10.6	3.6-3.8	8.3	14	4.5	0.8
229273		11	2	11-11.2	25	3	1
213797		11	4.9	8.3	16.7	4.9	1.2

# NON ELASTIC ANTI CREEPING RING



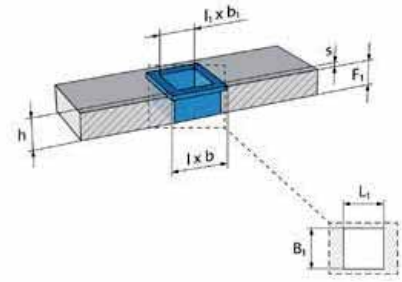
## ROUND HOLE MOUNT

All dimensions in mm / Other dimensions and variants on request.


Ref.	Design	R1	F1	r1	d/l x b	h	s
055504		11.2	2.7	9.8-10.2	25	2.9	0.5
055748		11.2	2.9	10.1-10.3	12	2.9	0.5
253158		11.2-11.4	3	9-9.4	22	3.7	0.3
018039		11.3	2.7	9.3	22	3.7	1
200520		13	3.95-5.2	6		5.2	0.5
055317		14	3.8	12.6	12	3.8	0.7
151484		14	6.3	11.8-12.2	21	7.2	1
253159		14.75	3	11.3	24	4.4	1
226518		15.5	3.7	14-14.2	21.5-21.9	4.5	0.8
128240		16.7	2.6	15.1	22	2.6	0.5
221137		23.85-24.15	32	23.55-23.85	40	24.4	0.25-0.8

# NON ELASTIC ANTI CREEPING RING

## SQUARE HOLE MOUNT

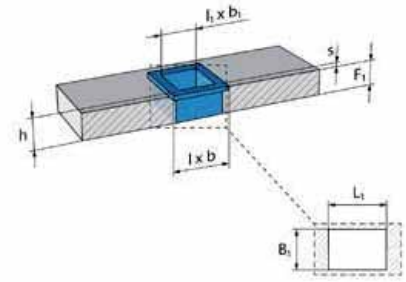


All dimensions in mm / Other dimensions and variants on request.

Ref.	Design	L1 x B1	F1	l x b1	l x b	h	s
235164		13.6-14 x 13.6-14	3.9-4.1	12.3 x 12.3	18.7 x 18.7	4.6	0.6

# NON ELASTIC ANTI CREEPING RING

## RECTANGULAR HOLE MOUNT

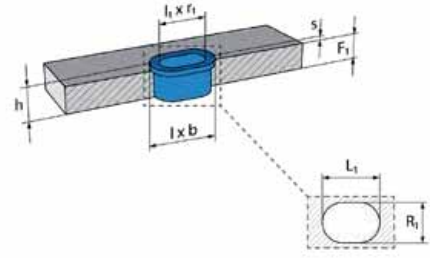


All dimensions in mm / Other dimensions and variants on request.

Ref.	Design	L1 x B1	F1	l1 x b1	l x b	h	s
020215		12.3-12.7 x 11.3-11.7	2.8-2.9	11 x 10	18 x 17	3.3	0.5

# NON ELASTIC ANTI CREEPING RING

## OBLONG HOLE MOUNT



All dimensions in mm / Other dimensions and variants on request.

Ref.	Design	L1 x R1	F1	l1 x r1	l x b	h	s
239482		10.9-11.1 x 7.9-8.1	2.9-3.1	9.2 x 6.2	19 x 16	3.4	0.7
248664		11.9-12.1 x 7.9-8.1	2.7-2.9	10.8 x 6.8	16.4 x 12.4	3.5	0.5
239484		11.9-12.1 x 8.9-9.1	2.9-3.1	10.2 x 7.2	19 x 16	3.4	0.7
239485		12.2-12.6 x 9.2-9.6	2.9-3.1	10.2 x 7.2	21 x 16	3.4	0.7
015808		13.4-13.6 x 8.4-8.6	5.3-5.5	12 x 7	18.6 x 13	6.6	0.6
201054		13.7-13.9 x 10.7-10.9	6.9-7.1	11.5 x 8.5	18 x 15	8	1
209040		14.2 x 9.7	15	9.9 x 6.4	13.6 x 17.2	15.3	0.8
229136		14.8-15.2 x 11.8-12.2	2.9-3.1	12.2 x 9.2	24 x 19	3.7	1

# NON ELASTIC ANTI CREEPING RING

## OBLONG HOLE MOUNT

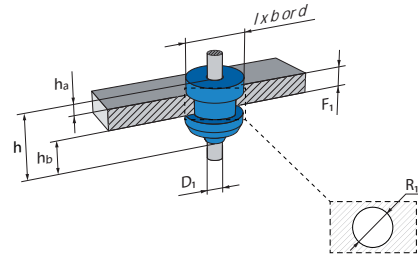


All dimensions in mm / Other dimensions and variants on request.

Ref.	Design	L1 x R1	F1	l1 x r1	l x b	h	s
242150		15.9-16.1 x 10.2-10.4	3.65-3.85	14.2 x 8.3	19.9 x 14	4.5	0.8
229494		18 x 13	3.2	17.9-18.1 x 12.9-13.1	28 x 23	3.6-3.8	0.5
019753		19.1-19.3 x 8.7-8.9	3.1-3.3	17.5 x 7.1	29 x 14.5	4.5	0.75
133001		20 x 10.2	3.7	18.3-19.5 x 8.5-8.7	26.8 x 16	3.7	0.8
201641		21 x 14.2	3.3	19.1 x 12.3	26.8 x 20	4.5	0.8
055749		50.1 x 20.1	2.9	39 x 9	50 x 20	2.9	0.5
128239		8.25 x 12	2.7	11-11.6 x 7.25-7.35	10 x 6.25	4.2	0.5
246256		8.6 x 7	3	8.6 x 6.1	14 x 5.3	12.2	0.3

# PLUG AND GROMMET - GROMMET

## ROUND HOLE MOUNT



All dimensions in mm / Other dimensions and variants on request.

Ref.	Design	R1	F1	D1	ha	hb	h	d / l x b
237176				5.8-6.4		12.3	15-17	20.2
223925			0.5-3	23.1	2-4.5	6.5	11.5	25.85-26.35
206761		5.5	3.4	3.8	1.5	1.5	6.4	16
214172		7.9-8.1	0.8	5.5 max	1.2	3.1	5	12
231530		8-8.2	0.6-1		1.3	5	7.7	16 x 16
209245		9.3-9.7	9.8-10.2	6	2		14	20
256034		11.8-12.2	2.5-2.7	5.9-6.1	2.5	3	9	16.5
241702		15	2.3	10.5	1.8	2.55	6.15-7.15	22.5-23.5

# PLUG AND GROMMET - GROMMET



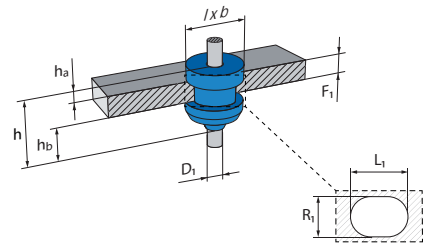
## ROUND HOLE MOUNT

All dimensions in mm / Other dimensions and variants on request.

Ref.	Design	R1	F1	D1	ha	hb	h	d / l x b
003220		15.7	2.3	8.1	3.7	3.7	9.7	22.4
152507		15.7-16.2	2-2.3	6.95-7.05	3.7	3.7	9.7	
056750		16	0.5-2.5	12	4.3	4.9	9.2	26 x 18
152751		16-16.2	0.75-1	7.2	2.5	5.8-6.05	9.5	
228926		17.5-18	2.3	8	4.2	6	12.5	
053460		20.5	0.5-3	17	3	2.4	6.1	
232921		22.15	3		2.7	11	13.7	43.3
056873		40.05-40.25	1-1.5	4.8-5.05	5.5	5.5	10	53
240631		42-42.12	6.5-7.5	5	17.8	2.2	27	51.6
243511		42.12-42.51	2.5-3.5	5	17.4-18.4	4.2	25.1	51.6

# PLUG AND GROMMET - GROMMET

## OBLONG HOLE MOUNT

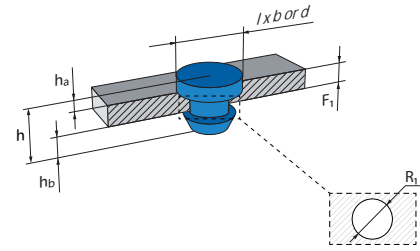


All dimensions in mm / Other dimensions and variants on request.

Ref.	Design	L1 x R1	F1	D1	ha	hb	h	L x b
225113			0.85		2	7	9	52.9 x 24
210164		14 x 8	0.8-1	5.5 max	1.3	10.7-10.9	13	14.3 x 13
221751		16.5 x 8.5	2.3	0-4.4	1	1	4.3	23.7 x 15.6
152604		21.6-22.4 x 11.6-12.4	0.8-0.93		2.5	4.43-4.56	7.86	32.3 x 22.3
237865		65-65.39 x 25-25.33	1.1-1.3		2	6.7	10	74.4 x 34.4

# PLUG AND GROMMET - PLUG

## ROUND HOLE MOUNT

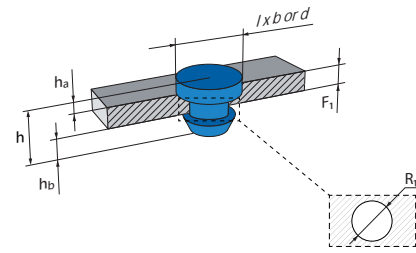


All dimensions in mm / Other dimensions and variants on request.

Ref.	Design	R1	F1	ha	hb	h	d / l x b
228505				5-5.2	6-6.5	10.3-11.7	20-21
220204		5	12	2.3	3.5	17.8	13.5
052145		8	0.5-13	1.5	5	7.25	11
152377		8	2	1	7.5	10.5	12
152545		9.8-10	0.8	1.5	3.2-3.7	11.5	22
237446		9.8-10.2	0.8-5	2.5	2.2-6.4	9.7	26
013544		10-10.2	1-3.5	5.5	4	10	18.5
053362		10.5	0.8-2	2		7.9	15

# PLUG AND GROMMET - PLUG

## ROUND HOLE MOUNT



All dimensions in mm / Other dimensions and variants on request.

Ref.	Design	R1	F1	ha	hb	h	d / l x b
052498		11.25	0.5-2.8	2.3	3.2-5.5	8.3	14
053873		12	0.5-2.5	2	3.5-5.5	8	16.5
175086		12-12.25	0.5-1.5	1.5-2.5	4	7	19
219790		12.3-13	3.8-4	2.2	13.8-14	20	24
240055		14.85-15.95	0.8-2.5	4	8.6-8.8	12.8	30
201644		15	1.6-2	4.8	5-6.3	12.7	26
014373		15-15.4	3.2-3.5	2.7	5.2	10.7	23
215817		16-20	0.75-4	5.6	8.7	14.6	26
213555		17	0.8-1.2	4.4	2.3	6.7	26

# PLUG AND GROMMET - PLUG



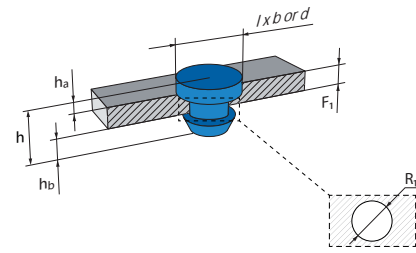
## ROUND HOLE MOUNT

All dimensions in mm / Other dimensions and variants on request.

Ref.	Design	R1	F1	ha	hb	h	d / l x b
056886		18.2	3.5-4.3	1.6	10.5	12.1	25
246564		18.8-19.2	0.7-3	3.2-3.8	5.4-6	9.2	28.5
233656		19.9-20.2	0.6-3	3.7	3	7.4	27.8
152522		20	2.5-4.8	2.75-3.2	8-9.8	15.5	34
200798		20-20.2	1.5	2	8.5	12	29.7
053296		20.5	0.5-3	2	3	6.1	28.9
226615		21.75-22.25	0.8	3.9	4	8.7	31
246585		21.8-22.2	0.5-1.5	2.2	1.9-2.9	6.5	27
053192		23.6	2.5-4	5	4.2	11.2	31
019555		24-24.6	0.8	3.5	4.25-4.75	7.5-8.5	34.3-35.3
079055		27.2	2.8-3.2	2.7	8.3	11	38

# PLUG AND GROMMET - PLUG

## ROUND HOLE MOUNT



All dimensions in mm / Other dimensions and variants on request.





Ref.	Design	R1	F1	ha	hb	h	d / l x b
152002		28		2.5	1.5	7	32
053188		28	0.6-2	4.8		10	39
249730		28	0.6-2	4.8	3.2-4.6	10	39
223711		29.7-30.3	0.7-1.8	1.75	3.25	5-7	36.5-39.5
240056		29.85-30.15	0.8-2.5	4.3	4.7	12.8	49.6
053068		30	0.5-2	4.8	5.2	10	
053189		33	2-4.5	6.8	6.2	13	36
152378		33.5	4	1	21	26	38
052875		36	0.5-2	4.8	5.2	10	47

# PLUG AND GROMMET - PLUG

## ROUND HOLE MOUNT

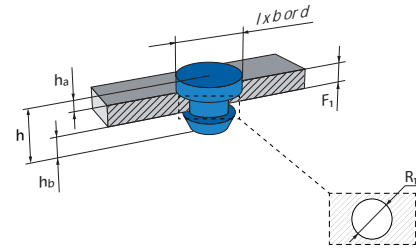


All dimensions in mm / Other dimensions and variants on request.

Ref.	Design	R1	F1	ha	hb	h	d / l x b
152376		39.5	4	1	20	26	44
240057		39.85-40.15	0.8-2.5	4.4	7.6	12.8	59.5
053075		40	0.5-2	4.8	5.2	10	50
054275		47.5	5-7	6	9	15	72

# PLUG AND GROMMET - PLUG

## ROUND HOLE MOUNT - ANCHOR



All dimensions in mm / Other dimensions and variants on request.

Ref.	Design	R1	F1	ha	hb	h	d / l x b
152651			0.7	3.6	7.2	11.5	17
247416		5.07-5.25	0.8-2.5	2.1	3.3-5	7.9	12.4
175155		6.5-6.7	0.6	1.9	2.5	5	10.5
242606		8-8.2	0.5-1.5	3.6	7.9-8.9	13	15.2
053054		12	0.5-1.5	3	4	7	19
238350		12.1-12.3	0.8-1.2	5.6-6	9.5	16.3	19
201238		12.2-12.7	0.57-1.5	2.5	8.4	10.9	21.5
052889		16	0.7-2.8	3.4	6	9.4	19.3

# PLUG AND GROMMET - PLUG



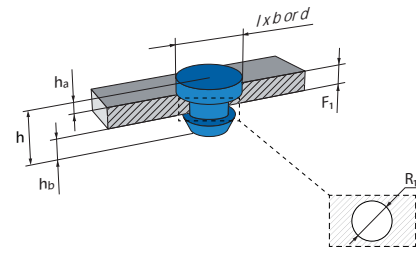
## ROUND HOLE MOUNT - ANCHOR

All dimensions in mm / Other dimensions and variants on request.

Ref.	Design	R1	F1	ha	hb	h	d / l x b
243049		16.3	3-4	3.5-4.5	8	15.5	26
238251		18.8-19.2	21.5-24.7	1.5	6.3-11.7	27.8-36.4	25
201755		19.5-21	0.57-3	2.3-5.87	13.95	18.25	30
201756		19.5-21	1.57-4	6.6	12.95	19.5	30
128383		20.5	0.57-5	4.9	4	8.9	29
238249		24.8-25.2	9.4	1.6	12	23	31.4
200812		30	0.57-2	4.29	7.71	12	41
132623		30	2-6	5-7.5	5-6.5	15	48.6
242984		30.11-30.44	1-1.8	3.7-4.5	10.5	16	39
243508		30.51-30.84	3.5-4.5	2.6-3.6	6.8	13.9	38.4
152745		40	5-6.5	4.3-5.1	2.5	12.6	54

# PLUG AND GROMMET - PLUG

## ROUND HOLE MOUNT - ANCHOR

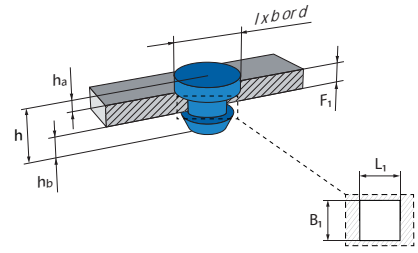


All dimensions in mm / Other dimensions and variants on request.

Ref.	Design	R1	F1	ha	hb	h	d / l x b
243512		42.12-42.51	2.5-3.5	17.4-18.4	4.2	25.1	51.6
240632		42.12-42.51	6.5-7.5	17.5-18.5	2	27	51.6
242616		55-55.6	1	4.5	5.5	11	67.7

# PLUG AND GROMMET - PLUG

## SQUARE HOLE MOUNT

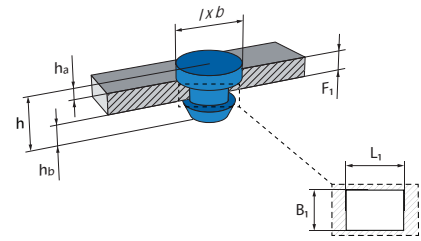


All dimensions in mm / Other dimensions and variants on request.

Ref.	Design	F1	L1 x B1	ha	hb	h	d / l x b
227670		0.7-0.8	8.5-8.7 x 8.5-8.7	3.2	16.8	20	18
243522		0.7-1.5	16.3 x 16.3	3.3-4.1	5	9.8	24.4 x 24.4
230192		0.75	14.5 x 14.5	3	3.5	7	68 x 26
225070		1.7	70-70.2 x 70-70.2	2	7	9.07	78.3-82.3 x 78.3-82.3

# PLUG AND GROMMET - PLUG

## RECTANGULAR HOLE MOUNT

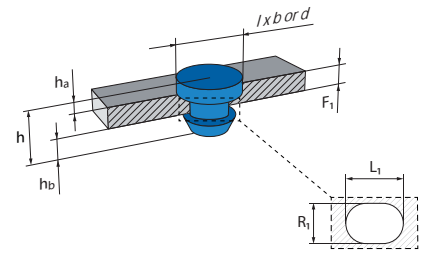


All dimensions in mm / Other dimensions and variants on request.

Ref.	Design	L1 x B1	F1	ha	hb	h	d / l x b
232630					4.1	3.5	127 x 82.5
219654		10.85-11.1 x 5.85-6.1	0.8-1.7	4.8	4.7-3.8	10.3	13.8 x 19.2
213364		10-10.2 x 6.2-6.4	0.8-1	2.2	3.2	6	16.8 x 13
216415		11 x 8.5	0.8-2	1.2	4.5-5.7	7.7	16 x 12.5
225071		120-120.2 x 80-80.2	1.7	2	7	9.07	88.2-92.2 x 128.3-132.3
229563		18.7 x 6	0.8	3	2.5	15.5	25 x 8
249214		19-19.33 x 5.6-5.78	0.7	1.3	2.9	5	22.4 x 9
211932		55 x 24	6	2		8	62 x 35

# PLUG AND GROMMET - PLUG

## OBLONG HOLE MOUNT

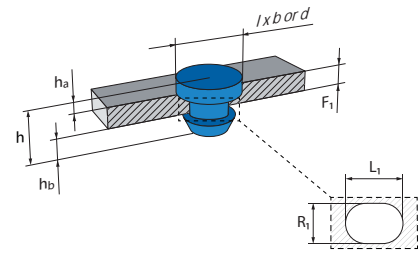


All dimensions in mm / Other dimensions and variants on request.

Ref.	Design	L1 x R1	F1	ha	hb	h	d / l x b
213763			0.65	3.75	5.4	9.8	58.2 x 30.6
201797		11.75-11.85 x 5.75-5.85	2.5	4.3	9.65	13.45-14.45	30
206294		12.2 x 6.2	0.67-0.77	1	6	7	15.5 x 8
223896		12.2 x 8.2	2	1.2	17.3	18.5	18
128222		14.2 x 7.2	7-3	1	6	7	12 x 8
245816		16 x 8	1	1.5	14.2	17	21
020817		16-16.2 x 10-10.2	0.8-1.2	2.5	5.1-5.5	8.8	26 x 20
242124		17.8-18.2 x 11.85-12.15	0.65-1.5	4	4	8	27.3 x 21.3

# PLUG AND GROMMET - PLUG

## OBLONG HOLE MOUNT

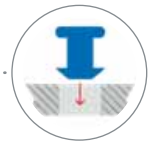


All dimensions in mm / Other dimensions and variants on request.

Ref.	Design	L1 x R1	F1	ha	hb	h	d / l x b
200395		18-18.2 x 12-12.2	0.7-1	3	1.5-1.8	5.5	24 x 18
238065		18-18.3 x 12-12.3	0.7-1.2	2.5-3	4.5	8.2	22.6 x 16.6
243460		18-18.3 x 12-12.3	1.2-1.5	2.2-2.5	4.5	8.2	24 x 18
215006		20 x 16	0.5-3	4.38	10.75	15.63	29.57 x 25.57
131413		20.2 x 10.2	0.67-2.67	4	7.5	12.2	38 x 28
215477		20-21 x 13-14	2.6-2.9	2.8	2.9-3.2	8.6	28 x 27
020758		22 x 16	0.7-0.9	3	3.1-3.3	7	30 x 23.85
214672		22.2-22.4 x 16.2-16.4	5	5.2	5	15.2	31.3 x 25.3
243081		22.4-22.6 x 16.2-16.4	3-4	3-4	8.5	15.5	31.6 x 25.5

# PLUG AND GROMMET - PLUG

## OBLONG HOLE MOUNT

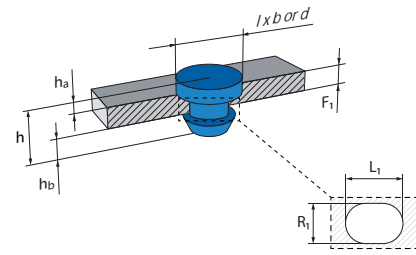


All dimensions in mm / Other dimensions and variants on request.

Ref.	Design	L1 x R1	F1	ha	hb	h	d / l x b
214115		24.5 x 20.5	0.57-5	4	4.67	11.67	37.11 x 33.11
131713		24.5 x 20.5	0.7-3	5.85	9.35	17	40
131073		24.5 x 20.5	0.7-4	5.85	9.35	17	40
238064		24-24.4 x 18-18.3	0.8-1.2	3.3-3.7	9.5	14	31.6 x 25.5
152707		29 x 24	0.7-1	1.3-1.45	3.7-3.85	6	36.8 x 31.8
233366		30 x 25	3.6-4	18.9	2-2.6	18.9	39.1 x 34.1
231759		30-30.1 x 48-48.5	2	2.5	7	9.41	57.3-59.3 x 39.29-41.29
152483		32 x 16	1.6	2	7.5	11	39 x 23
222323		33.5 x 29.5	3-5	4	7.67	12.27	33.5 x 29.5
228510		36 x 24	0.6-1	2	5.8	10	46.8 x 34.9
152730		36 x 6	0.8-1	2.6-2.8	2.9	6.5	45 x 16

# PLUG AND GROMMET - PLUG

## OBLONG HOLE MOUNT



All dimensions in mm / Other dimensions and variants on request.

Ref.	Design	L1 x R1	F1	ha	hb	h	d / l x b
233300		37 x 27	0.6-1	1.5	6	10	46.6 x 36.6
236644		37.9-38.1 x 19.9-20.1	0.6-0.8	4.2	3.5-3.7	8.5	53 x 35
238194		38.8-39.2 x 28.2-28.6	13	1.6	9.4	24	45 x 34.4
213762		38-38.39 x 17-17.27	0.6-1.5	2-2.9	18.3	21.8	48.8 x 27.8
240974		39.9-40.1 x 24.9-25.1	6-7	2.9-3.9	4.4	14.3	53.6 x 38.6
233301		40 x 25	0.8	1.5	6	10	49.4 x 34.6
233421		40-40.4 x 25-25.1	1.8	2.7	6.5	9.2	34.3-36.3 x 49.3-51.3
201673		50 x 25	0.57-2.5	3	4	9	58 x 33
244516		51.6-51.8 x 20.6-20.8	0.7-0.9	3	29.5-29.7	33.4	62.6 x 32

# PLUG AND GROMMET - PLUG

## OBLONG HOLE MOUNT



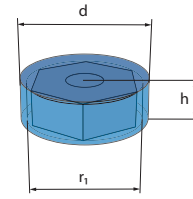
All dimensions in mm / Other dimensions and variants on request.

Ref.	Design	L1 x R1	F1	ha	hb	h	d / l x b
228624		55 x 35	2-4.5	4.5	6.8	14	69.6 x 49.84
238017		55-55.39 x 17.5	1.4-2	3.2-3.8	8.8	14	64.2 x 49.2
152549		59 x 44		1.2	2	4	
248600		72 x 31	1	3	6	10	83 x 42
152054		80 x 20	2.9	8.6	6	17.5	96.4 x 58.4
215331		92.5-92.9 x 57.9-58.3	0.7-0.9	3.6	5.5-5.7	10	105.6 x 71
238197		97.7-97.3 x 24.1-23.7	1-1.5	4.01	6.7-7.2	12.16	33.06 x 46.08





# PLUG AND GROMMET - PROTECTOR BOLT HEAD



## MOUNTING WITH OTHER ELEMENTS



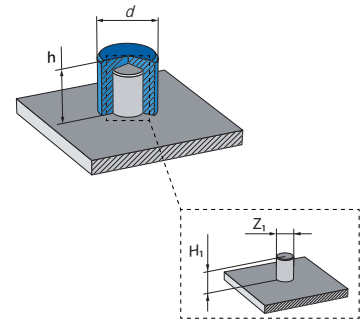
All dimensions in mm / Other dimensions and variants on request.

Ref.	Design	r1	h	d
241381			17	26
247134		6.4	8.5	16.8
152556		9-9.6	15	11.8
152744		12.75-13.25	12.5	20


# PLUG AND GROMMET - PROTECTOR BOLT HEAD



## ROUND STUD MOUNT



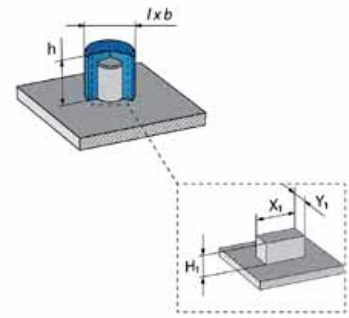
All dimensions in mm / Other dimensions and variants on request.

Ref.	Design	Z1	H1	h	d
225701		5-6	12	16	16.2
248146		12	41	41	43.65


# PLUG AND GROMMET - PROTECTOR BOLT HEAD



## STUD MOUNT



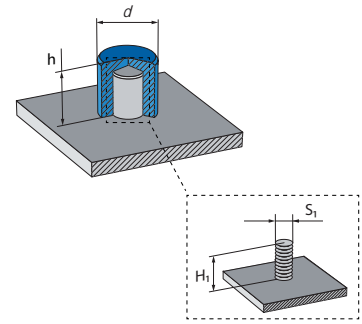
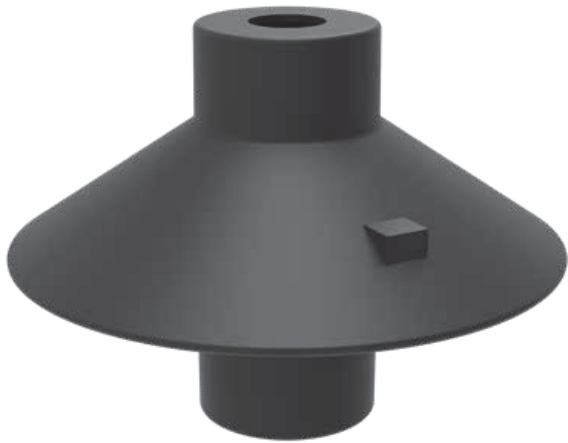
All dimensions in mm / Other dimensions and variants on request.

Ref.	Design	Y1 x X1	H1	h	l x b
003251		16 x 16	21	23	28 x 24


# PLUG AND GROMMET - PROTECTOR BOLT HEAD



## THREADED STUD MOUNT

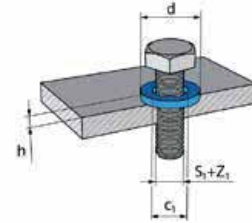
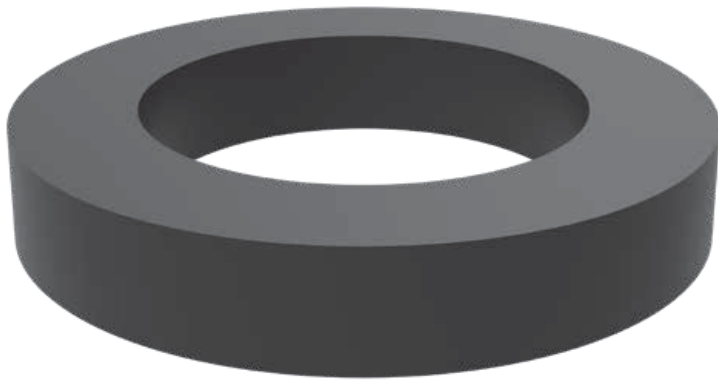


All dimensions in mm / Other dimensions and variants on request.

Ref.	Design	S1	H1	h	d
227208		M6 x 1,00		13	12.9
128609		M8 x 1,25	50	35.5	49

# WASHER

## ROUND HOLE MOUNT



All dimensions in mm / Other dimensions and variants on request.

Ref.	Design	S1	Z1	c1	h	d
130744			5.5	5.5	2	30
230281			8	8	1	17.3
230248			11.8	12.7	2.6	25.4
003260		M12 x 1,75	12	10.8	2.57	15.53
206528		M16 x 2,00	16	17.5	2	28
234096		M6 x 1,00	6	6.2	1.5	18

# THREADED FASTENERS & RETAINERS



## NUT

Multiple screw impressions .....	p.471
Surface mount .....	p.472
Surface mount - punching in .....	p.473
Edge mount.....	p.474
Oblong hole mount .....	p.486
Rectangular hole mount - assembly.....	p.489
Rectangular hole mount - metal .....	p.490
Rectangular hole mount - plastic.....	p.494
Stud mount .....	p.499

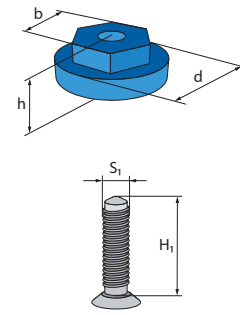
## BOLT

Surface mount.....	p.501
Hole mount .....	p.502

## SCREW HOLDING CLIP

Screw holding clip.....	p.503
-------------------------	-------

# NUT

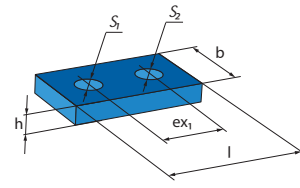


All dimensions in mm / Other dimensions and variants on request.

Ref.	Design	S1	H1	b	d	h
209640		M6 x 1,00			17	14
245292		M6 x 1,00	10	10	22	9.3-9.7
003074		T5 Stud		10	8	6
003080		T5 Stud		10	8	11
206085		T5 Stud		10	30	16.2
207593		T5 Stud	12	9.8	24	4.5
244318		T5 Stud	14.2	9.55-9.85	18-18.5	11-11.5
244779		T5 Stud	15	10	15	10.5

# NUT

## MULTIPLE SCREW IMPRESSIONS

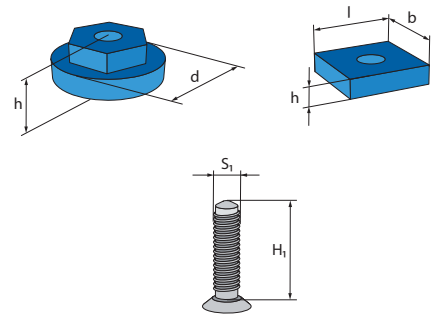
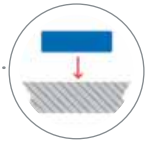


All dimensions in mm / Other dimensions and variants on request.

Ref.	Design	S1	S2	ex	l x b x h
204786		M12 x 1,75	M12 x 1,75	53	86 x 34 x 18.2

# NUT

## SURFACE MOUNT

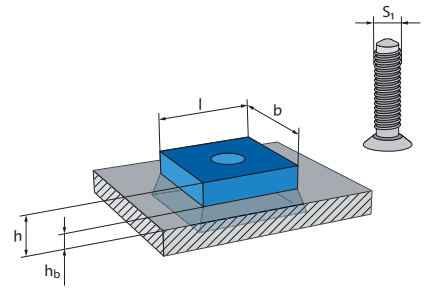
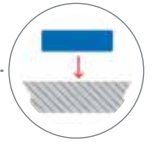


All dimensions in mm / Other dimensions and variants on request.

Ref.	Design	S1	H1	d	h	l x b
130910		M8 x 1,25			9	38 x 30.3
223721		M8 x 1,25	26		17.17	36 x 31.66
231571		ST4.2_8-18	18	3.4	2.5	46 x 12
210142		ST4.8_10-16	10	7	6.5	20 x 11
139086		ST6.3_14-14		19.5	4.7	
151820		ST6.3_14-14		19.5	5.5	

# NUT

## SURFACE MOUNT - PUNCHING IN

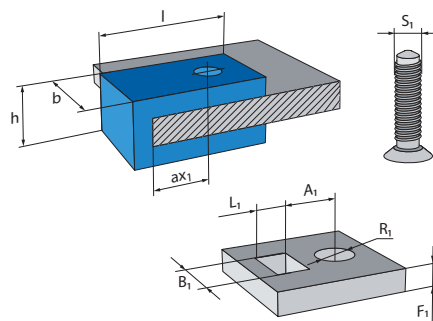
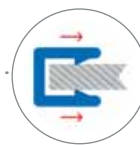


All dimensions in mm / Other dimensions and variants on request.

Ref.	Design	S1	hb	l x b x h
016335		ST5.5_12-14	3.3	19.1 x 19 x 5.9

# NUT

## EDGE MOUNT



All dimensions in mm / Other dimensions and variants on request.

Ref.	Design	S1	F1	L1 x B1	R1	A1	ax1	l x b x h
138085			2.6-3		5.6	7.2 max	7.4-8.1	13.84 x 11.15 x 5
053535		ACME 6,35 x 12	0.5-4		9	9 max		19 x 16 x 6
138276		M10 x 1,50	1.5-5.5		15.3 min	17 max	18-19	32.5 x 24 x 18.7
138331		M10 x 1,50	1.5-5.5		15.3 min	17 max	18-19	32.5 x 24 x 18.7
222021		M14 x 2,00	2.5		14.2	22	16	51 x 50 x 19.38
206960		M5 x 0,80			7.3-7.7	10	10.8	19.9 x 13.8 x 7.1
054044		M5 x 0,80	0.5-4		6	6.4-6.8	7 min	15.3 x 12 x 6.8
209842		M5 x 0,80	0.5-4		7.3-7.7	10	10.8	19.9 x 13.8 x 7.1

# NUT

## EDGE MOUNT

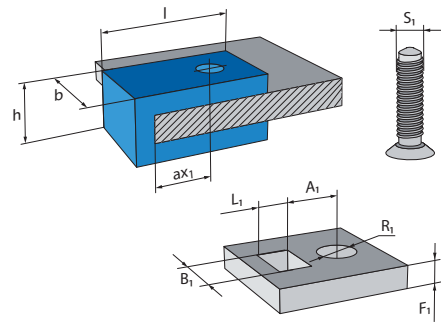


All dimensions in mm / Other dimensions and variants on request.

Ref.	Design	S1	F1	L1 x B1	R1	A1	ax1	l x b x h
138020		M5 x 0,80	0.5-4		8.3-8.8	12.5 max	13.5	25.5 x 15.5 x 8.3
235003		M5 x 0,80	1.8-3.8		4.5	9.6	9.6	19.6 x 14 x 9.9
225797		M5 x 0,80	2.7-5.5	18 x 12.35-12.65	6.85-7.15	8.85-9.15	6.5	15.5 x 13 x 8
220511		M5 x 0,80	2.7-5.5	18 x 12.45-12.75	6.85-7.15	7.4-7.6	6.5	15.1 x 13 x 8
130288		M6 x 1,00	0.5-4		7	7	11.7	22.3 x 15 x 8
130793		M6 x 1,00	0.5-4		8.5-8.7	10.8-11	11.7	24.3 x 15.7 x 8.1
129458		M6 x 1,00	0.5-4		8.5-8.7	10.8-11	11.7	22.3 x 15 x 8
138022		M6 x 1,00	0.5-4		9.9-10.4	12.5 max	13.5	25.5 x 18.5 x 8.3
224919		M6 x 1,00	0.5-4		10.5	8.2		19.9 x 18 x 9.6
013176		M6 x 1,00	0.5-4	13 min x 17 min	6.8-7.2	11-11.5	11.8	24.1 x 16 x 8.8
054836		M6 x 1,00	0.5-4	15 x 17	9-9.4	11 max	11.7	24 x 17 x 6.7

# NUT

## EDGE MOUNT



All dimensions in mm / Other dimensions and variants on request.

Ref.	Design	S1	F1	L1 x B1	R1	A1	ax1	l x b x h
055819		M6 x 1,00	0.5-4	25 x 12.5	8.5-8.7	11	11.4	22.3 x 15 x 8
016117		M6 x 1,00	0.8-1.9		20	13.2-13.8	14.2	30 x 24 x 12.1
151854		M6 x 1,00	0.8-4		10	13.5 max		24.3 x 15 x 11.8
151838		M6 x 1,00	0.8-4		10	18.8 max		30.3 x 15 x 11.8
220850		M6 x 1,00	0.8-4		10	13.5	13.5	24.3 x 15 x 11.8
247116		M6 x 1,00	1-3	22 x 18	6.8-7.2	10-10.2	10.1	20.5 x 16.5 x 9
223485		M6 x 1,00	1.5-1.85		10-11.2	8	8.7	
208223		M6 x 1,00	2		11.05-11.25	11.4	11.4	22.35 x 19.9 x 12.5
203882		M6 x 1,00	2.5	22 x 12	10	10	10.5	22 x 15 x 7

# NUT

## EDGE MOUNT

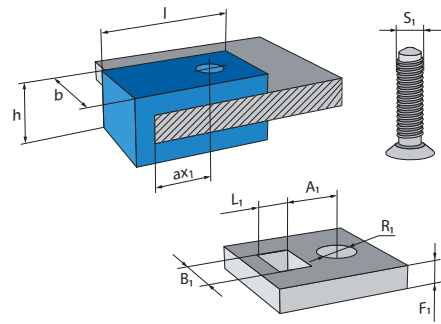


All dimensions in mm / Other dimensions and variants on request.

Ref.	Design	S1	F1	L1 x B1	R1	A1	ax1	l x b x h
216285		M6 x 1,00	2.5	22 x 12.5	8	13	10.5	22 x 15 x 6.5
228349		M6 x 1,00	2.5	23 x 19		17	12-22	34 x 16.6 x 11.8
205978		M6 x 1,00	2.5-3		9.5-9.7	15.7-16.3	17	27 x 20 x 12.5
230915		M6 x 1,00	3.4-3.6			17.75	10.6	21.19 x 22 x 6.8
219715		M6 x 1,00	3.4-3.6		10.6	17.75	10.6	21.9 x 22 x 6.8
230920		M6 x 1,00	3.5	25.25 x 21	8	17.75	9	21.19 x 22 x 6.8
017021		M6 x 1,00	3.5-7		7-7.5	11.2-11.8	12.2	24.9 x 16 x 10.8
138345		M8 x 1,25	0.5-4		11.7 min	13.5 max	14.5	27.7 x 19.5 x 11.5
053313		M8 x 1,25	0.5-4	16 x 18	11-11.4	10-13	13.5	25 x 17 x 10.8
151744		M8 x 1,25	0.8-2.8	22 x 18	11.3	11.35		26 x 19 x 14.5
138272		M8 x 1,25	0.8-4		11.32-12.08	12.5-13.5	13.98-14.98	24.89 x 17.02 x 14.7

# NUT

## EDGE MOUNT



All dimensions in mm / Other dimensions and variants on request.

Ref.	Design	S1	F1	L1 x B1	R1	A1	ax1	l x b x h
138289		M8 x 1,25	0.8-4		11.32-12.08	12.5-13.5	13.98-14.98	24.89 x 17.02 x 14.7
138330		M8 x 1,25	1.5-5.5		11.32-12.08	12.5-13.5	14.48	24.89 x 17.02 x 15.7
138273		M8 x 1,25	1.5-5.5		11.7-12.3	19.5-20.5	21	31.5 x 17 x 14.25
244638		M8 x 1,25	2.1-2.6	21.2-21.4 x 10.8-11	10.8-11	15.9	14.3-14.9	31.4 x 22 x 13.7
082687		M8 x 1,25	3.2-3.8		9	11.6	12.3	27.1 x 20 x 13
208244		M8 x 1,25	4.2-5		9	11.6	12.3	25.8 x 20 x 14.2
243628		MT 4,50	2.1-2.3		5	5-7	7	13.5 x 10 x 12.3
201169		MT 5,00	1.5-3.5		6.2	8-8.3	8.5	20.2 x 15 x 17.4
203985		MT 6,00	1.5-2		8.2	8.5	8.55	18.35 x 17 x 18.55

# NUT

## EDGE MOUNT

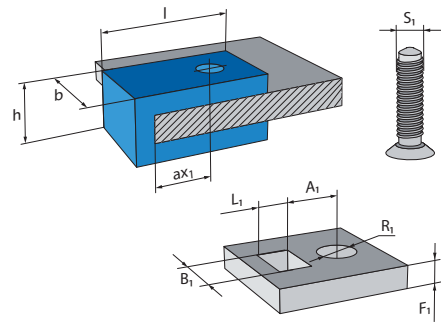


All dimensions in mm / Other dimensions and variants on request.

Ref.	Design	S1	F1	L1 x B1	R1	A1	ax1	l x b x h
233880		PT 6,0	2.8-3		8-8.2	11.9-12.1	12.1	22.2 x 16 x 8.2
014620		ST3.5_6-20	1.6-2.2		5.8-6.2	6.95-7.35	8.1	16.5 x 11 x 4.6
102019		ST3.5_6-20	2.5-3	8 x 11	6	6	6.8	11.8 x 11.2 x 6.3-6.9
013695		ST3.5_6-20	3.75-5.25		4.8-5.2	4.5-5	5.5	12 x 11 x 6.5
151827		ST4.2/4.3	0.7-2		7	6		13 x 9.5 x 4.4
055543		ST4.2/4.3	0.7-3		6	6		14.09 x 13 x 8.5
151660		ST4.2/4.3	1.25-2		6.8	5.8		12.75 x 11 x 4.5
151165		ST4.2_8-18	0.5-1.5		6.8	6	6.75	13.2 x 11 x 3.6
011362		ST4.2_8-18	0.5-1.75		7.2-7.5	7-7.5	8.1	16.5 x 11 x 3.5
231300		ST4.2_8-18	0.5-2		7.55 min	8.1 max	9.66-10.66	17.3 x 12.5 x 9.2
138056		ST4.2_8-18	0.5-2		7.55 min	8.1 max	9.66-10.66	17.3 x 12.5 x 11.3

# NUT

## EDGE MOUNT



All dimensions in mm / Other dimensions and variants on request.

Ref.	Design	S1	F1	L1 x B1	R1	A1	a x 1	l x b x h
138055		ST4.2_8-18	0.65-3.8		7.55 min	8.1 max	8.64-9.64	16.3 x 12.5 x 11.2
138280		ST4.2_8-18	0.65-3.8		7.55 min	14 max	14.5-15.5	
054923		ST4.2_8-18	0.67-3		6	6.5 max		14 x 9.5 x 10
056978		ST4.2_8-18	0.8-4		7.2	14.5	14.7	25 x 15 x 12
019324		ST4.2_8-18	1.5-2		4.8-5.2	3.7-4.2	4.5	9.6 x 8 x 4.7
055111		ST4.2_8-18	1.5-2.5		6.2	6.5	7	13.5 x 10 x 5
137777		ST4.2_8-18	1.8-2.3		7-7.2	6.35 max	8.6-9.1	18.8 x 13.6 x 6.7
224283		ST4.2_8-18	2-2.8		7.2	7.2	8	15.5 x 11 x 5.1
151588		ST4.2_8-18	2-3.5		7.2	7.2	8.5	17 x 10.2 x 5.6

# NUT

## EDGE MOUNT

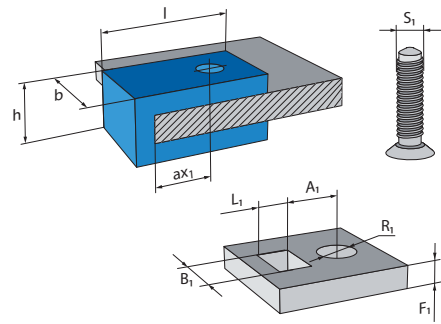


All dimensions in mm / Other dimensions and variants on request.

Ref.	Design	S1	F1	L1 x B1	R1	A1	ax1	l x b x h
016583		ST4.2_8-18	2.2-3.1		7.9-8.1	9.9-10.1	10	18.2 x 15 x 5.6
014339		ST4.2_8-18	2.5-3		6.4-6.6	5.7-6	6.75	13 x 11 x 5.1
224572		ST4.2_8-18	2.5-3	8 x 11	6	6	6.8	11.8 x 9 x 6.6
019069		ST4.2_8-18	2.5-5		6.8-7.2	11.8-12.2	13	24 x 11 x 7.4
219300		ST4.2_8-18	2.7-5.5	18 x 12.45-12.75	6.85-7.15	8.85-9.15	6.5	15 x 13 x 6.5
055639		ST4.2_8-18	3		6	6.8	7.7	13.8 x 13 x 6
220487		ST4.2_8-18	3-4.5	2.5 x 5	3.15-3.35	8.5	7.8	16.5 x 11 x 4.81
223732		ST4.8_10-16						16.5 x 14.5 x 6.7
211439		ST4.8_10-16						15 x 12 x 7
138048		ST4.8_10-16	0.5-2.5		7.2-7.8	7.9 max	8.7-10.5	19.5 x 13.8 x 8.4
211692		ST4.8_10-16	0.5-4.5		7.5-7.7	9.7-10.3	10.8	22 x 18 x 7.6

# NUT

## EDGE MOUNT



All dimensions in mm / Other dimensions and variants on request.

Ref.	Design	S1	F1	L1 x B1	R1	A1	ax1	l x b x h
203797		ST4.8_10-16	0.7-3		7.5	8		18.6 x 15 x 5
237804		ST4.8_10-16	0.81-1.63		7.9-8.5	0-9.7	10.1	18.1 x 15.05 x 7.6
151658		ST4.8_10-16	1-3		6	8.7	9.5	19.5 x 12.5 x 4.3
137837		ST4.8_10-16	1.2-3		6.5-7	8 max	8.5-9.5	19.21 x 14 x 7.4
234822		ST4.8_10-16	1.4-3.5	10 x 14	7.9	7	7.4	15 x 11.5 x 6
151816		ST4.8_10-16	1.5-2	8 min x 11.5 min	6.7	6.2	6.3	13.2 x 11 x 5.1
231163		ST4.8_10-16	1.5-2.8		7	6	6.9	14.8 x 12 x 5.4
233589		ST4.8_10-16	1.6-2.8					17.9 x 14.9 x 5
211316		ST4.8_10-16	1.7		8.5-8.7	8-8.2	8.5	16 x 12 x 14.8

# NUT

## EDGE MOUNT

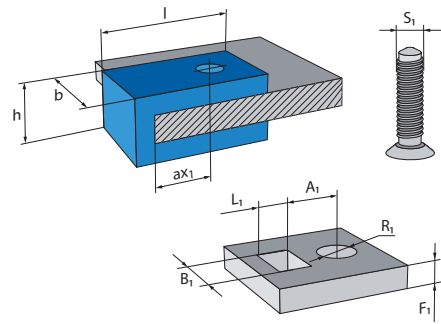


All dimensions in mm / Other dimensions and variants on request.

Ref.	Design	S1	F1	L1 x B1	R1	A1	ax1	l x b x h
017634		ST4.8_10-16	1.7-2.3		7.2-7.5	6.7-7.2	8.2	16.5 x 11 x 5.2
210457		ST4.8_10-16	1.8-2.8		8	10.5	11	26 x 20 x 8
240670		ST4.8_10-16	2-2.2		7	6	6.8	14.8 x 12 x 5.7
017732		ST4.8_10-16	2-3.1		6.2-6.8	6.2-6.8	7.6	16.2 x 11 x 5.3
224282		ST4.8_10-16	2-3.1		6.5	6.5		16.2 x 11 x 4.9
151514		ST4.8_10-16	2-3.5		7.2	7.2		16.5 x 11 x 5.8
137865		ST4.8_10-16	2.2-2.8		6.5-7	9 max	8.5-9.5	16.71 x 13.5 x 7.7
102023		ST4.8_10-16	2.3-5		8-8.5	7	8	17 x 13 x 11.1
232253		ST4.8_10-16	2.5-3.5		7.2	7.2	7.7-8.3	16 x 11 x 6.15
016441		ST4.8_10-16	2.5-3.5		7.2-7.5	6.9-7.5	8	16.7 x 11 x 6.4
223509		ST4.8_10-16	2.5-3.5		8	8	7.2	15.6 x 11.5 x 9.6

# NUT

## EDGE MOUNT



All dimensions in mm / Other dimensions and variants on request.

Ref.	Design	S1	F1	L1 x B1	R1	A1	ax1	l x b x h
102014		ST4.8_10-16	2.5-3.5	10 x 14	7.9	7	7.4	15 x 11.5-12 x 7-7.1
019185		ST4.8_10-16	2.5-5		7.8-8.2	15.8-16.2	17	28 x 15 x 7.4
218988		ST4.8_10-16	2.7-5.5					15.5 x 14.5 x 6.7
228304		ST4.8_10-16	3		7.2-7.5	15.5	16	23.3 x 11.5 x 8.6
151150		ST4.8_10-16	3-4.3		6	10.5		21 x 15 x 6.7
015477		ST4.8_10-16	11.2-11.5		8-8.3	6.2-6.8	8	17 x 16 x 17
151113		ST5.5_12-14	2-3.5		5.5	12.5	12.5	23.7 x 16 x 6.9
011427		ST6.3_14-14	0.7-1.5		8.7-9	12.5-13	13.5	24.8 x 16 x 4.4
151793		ST6.3_14-14	0.7-2			12.7		24.3 x 14.5 x 5

# NUT

## EDGE MOUNT

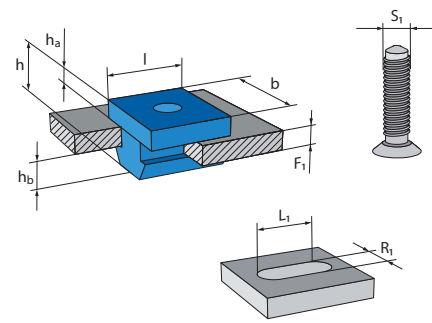


All dimensions in mm / Other dimensions and variants on request.

Ref.	Design	S1	F1	L1 x B1	R1	A1	ax1	l x b x h
151178		ST6.3_14-14	0.7-2		8.7	12.7	13	24.3 x 15 x 5.3
151114		ST6.3_14-14	0.9-1.7		8.7	7.2	8.25	16.8 x 16 x 6.16
020481		ST6.3_14-14	2.8-3		8-8.2	12-12.5	8.4-12.1	22.2 x 16 x 6.9

# NUT

## OBLONG HOLE MOUNT



All dimensions in mm / Other dimensions and variants on request.

Ref.	Design	S1	F1	L1 x R1	ha	hb	l x b x h
227976			0.8	11.5 x 7.7	2.5	17.4	17.6 x 12.55 x 22.33
213556			0.8	7.5 x 7.5	2	9.5	16 x 16 x 16.8
152762			0.8-1	10 x 10	1	11-11.2	15.7 x 15.7 x 13
055310		M6 x 1,00	7				15.8-16.2 x 15.8-16.2 x 7
056592		MT 4,50	0.6-3	14 x 7.2	1.2	4.5	15.2 x 8.8 x 10.2
056256		MT 4,50	0.6-3	14.2 x 7.2	2	12-14.4	13.2 x 19.9-20.5 x 17
055973		MT 4,50	0.6-3	7.2 x 7.2	1.2	7.1	8.7 x 8.7 x 8.3
201134		MT 4,50	0.67-0.77	18.2 x 9.2	16.53	9	24.5 x 33 x 26

# NUT

## OBLONG HOLE MOUNT

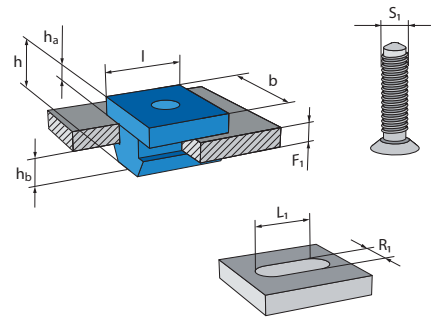


All dimensions in mm / Other dimensions and variants on request.

Ref.	Design	S1	F1	L1 x R1	ha	hb	l x b x h
204819		MT 4,50	0.67-3	14.2 x 7.2	1.2	6-8.3	17.6 x 9.8 x 10.2
255947		MT 4,50	1.45	14.2 x 7.2	10	14.45	23 x 16 x 25.87
214279		MT 5,00	0.67-3	14.2 x 7.2	1.2	8	13.35 x 9.8 x 10.2
212945		MT 5,00	0.7-1	14.2 x 7.2	0	12	16.2 x 10.3 x 18.9
243610		PT 5,0	3.9-4.1	9.8-10.2 x 7.8-8.2	2.5	5.9-6.1	
014110		ST3.5_6-20	0.9-1.2	15-15.1 x 4.8-4.9	1.6	14.2-14.5	21 x 10.8 x 17
055975		ST4.2/4.3	0.6-3	14 x 7.2	1.2	9	8.8 x 15.2 x 10.2
128256		ST4.2_8-18			1.5	8.3-5	22 x 13 x 10.5
232676		ST4.2_8-18	0.4	13.9-14.1 x 7.9-8.1	2.5	11.5	21 x 16 x 13.8
233117		ST4.2_8-18	0.67-1.5	18.05-18.25 x 9.05-9.25		9.5	33 x 26.8 x 26.35
223127		ST4.2_8-18	0.7-2.5	14.2 x 7.1-7.25	4	13	22 x 15 x 17

# NUT

## OBLONG HOLE MOUNT

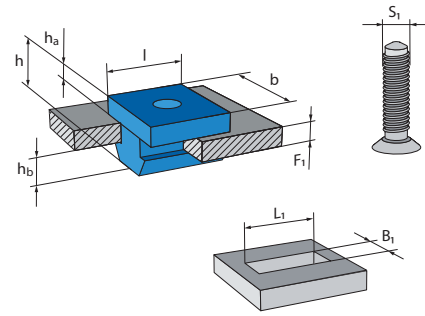


All dimensions in mm / Other dimensions and variants on request.

Ref.	Design	S1	F1	L1 x R1	ha	hb	l x b x h
233816		ST4.2_8-18	0.8-1.2	14-14.5 x 7-7.5	1.75-2.25		20.2 x 13.3 x 20
211670		ST4.2_8-18	0.97-1.25		1	14	29 x 20 x 19
244500		ST4.2_8-18	2.15-2.45	22.5-24 x 15.1-15.3	2.3	11.3-11.75	40.4 x 28 x 13.6
155050		ST5.5_12-14		8 x 8	1.35		24.8 x 15.7 x 10

# NUT

## RECTANGULAR HOLE MOUNT - ASSEMBLY

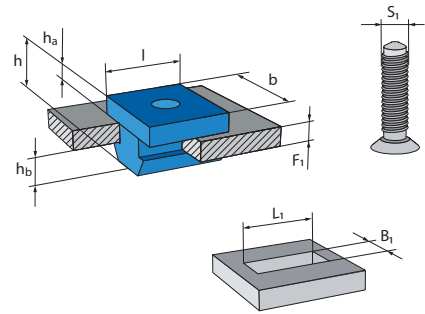


All dimensions in mm / Other dimensions and variants on request.

Ref.	Design	S1	F1	L1 x B1	ha	hb	l x b x h
238355		M5 x 0,80	2.4-2.6	8-8.2 x 8-8.2	1.1	6.3-6.5	12 x 8.8 x 10
155175		M5 x 0,80	2.5	8 x 8	1.2	6.2-6.4	12 x 9.1 x 10
242851		M6 x 1,00	2.5-3	13.4-13.6 x 12.1-12.3	3	10.4	18 x 13.5 x 16.7
234659		ST4.2_8-18	0.7-1	9.9-10.1 x 9.9-10.1	10.44	8.83	16.75 x 13.75 x 20.76

# NUT

## RECTANGULAR HOLE MOUNT - METAL



All dimensions in mm / Other dimensions and variants on request.

Ref.	Design	S1	F1	L1 x B1	ha	hb	l x b x h
245018		M5 x 0,80	2.4-2.6	6.7-6.9 x 15.9-16.1	0.6	8	10 x 16.6 x 11.5
213591		M6 x 1,00		13.2 x 12.2	0.8	10.4	18 x 14 x 14.2
135216		M6 x 1,00	0.65-1.8	14.75-15.25 x 14.75-15.25	0	8.8	14.6 x 21 x 9.7
140702		M6 x 1,00	0.7-2	13.75-14.03 x 9.39	2.5		18 x 18 x 10.7
232875		M6 x 1,00	0.7-2	13-13.27 x 9-9.22	0.8	7.9-9.2	20 x 16 x 11
233379		M6 x 1,00	0.7-3.8	13.75-14.03 x 9.25-9.53		4.7	8.2 x 18 x 10.8
243437		M6 x 1,00	0.8-2	13-13.27 x 9-9.22	0.8	8.2-9.4	20 x 16 x 11
137997		M6 x 1,00	1.5-1.9	13.7-14.7 x 16.05			13.58 x 22 x 10.1

# NUT



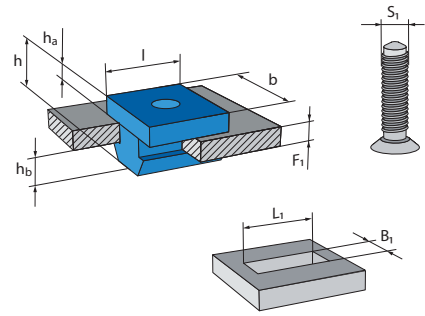
## RECTANGULAR HOLE MOUNT - METAL

All dimensions in mm / Other dimensions and variants on request.

Ref.	Design	S1	F1	L1 x B1	ha	hb	l x b x h
138027		M6 x 1,00	1.5-3.5	13.7-14.2 x 15.8-16.3	3.1		19 x 26 x 10.1
203245		M6 x 1,00	2.5-3	13.4-13.6 x 12.1-12.3	1	12.2	18 x 14 x 14.2
237883		SELF TAPPING 8-15	0.7-2.3	8.55-8.75 x 8.55-8.75	0.65	3.55-5.15	84 x 82 x 6.5
019329		ST3.9_7-19	1.2-1.4	7.9-8.1 x 7.9-8.1	0.5	6.2-6.4	11 x 8.4 x 8.1
232696		ST4.2/4.3	0.8-1.8	15 min x 12.2	0.6	15-16	36 x 17 x 17.4
137833		ST4.2_8-18	0.7-2.15	8.55-8.75 x 8.65	2	4	12 x 15.9 x 6.9
138079		ST4.2_8-18	0.7-2.15	8.55-8.75 x 8.65	2	4	12 x 16.5 x 7.6
020007		ST4.2_8-18	0.8-2.12	17.4-17.6 x 12.1-12.3	0.65	16	44 x 16.3 x 17.75
209898		ST4.2_8-18	0.95-1.2	22 min x 10.2-10.4	2.5	14.4-14.65	17.7 x 24.5 x 17.9
209166		ST4.2_8-18	0.97-1.17	18.2 x 16.2	0.7	16.63-16.83	29 x 20.55 x 20
135454		ST4.2_8-18	1.1-1.5	19.75-20.25 x 12.55-13.05	0.66	15.86	43 x 17.2 x 17.96

# NUT

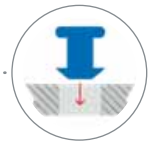
## RECTANGULAR HOLE MOUNT - METAL



All dimensions in mm / Other dimensions and variants on request.








Ref.	Design	S1	F1	L1 x B1	ha	hb	l x b x h
211935		ST4.2_8-18	1.27-1.47	18.2 x 16.2	0.7	17.03-17.23	29 x 20.75 x 19.2
240660		ST4.2_8-18	1.4-5	11-11.2 x 15.8-16.2			13.5 x 23 x 10.2
137893		ST4.2_8-18	2.1-2.5	8-10.2 x 8.1			9.4 x 11.6 x 12.4
138045		ST4.2_8-18	2.3-2.8	11.1-11.4 x 9.25			10.75 x 11.86 x 12.3
137961		ST4.2_8-18	2.3-2.8	11-11.2 x 9.1	0.64	12.06	10.75 x 11.86 x 12.7
138021		ST4.2_8-18	2.3-2.8	11-11.2 x 9.1	2.5		14.25 x 14.25 x 12.7
138031		ST4.2_8-18	2.3-2.8	11-11.2 x 9.1	2.5		14.25 x 14.25 x 13.2
138040		ST4.2_8-18	2.3-2.8	11-11.4 x 9-9.4			10.75 x 11.86 x 12.7
138060		ST4.2_8-18	2.3-2.8	11-11.4 x 9-9.4			10.75 x 11.86 x 12.7

# NUT



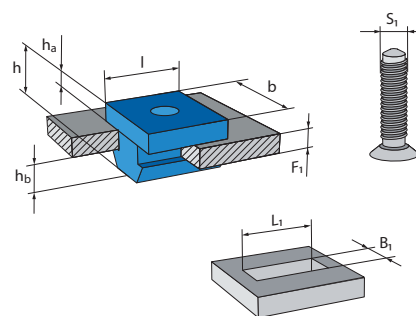
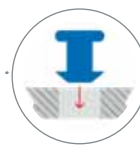
## RECTANGULAR HOLE MOUNT - METAL

All dimensions in mm / Other dimensions and variants on request.

Ref.	Design	S1	F1	L1 x B1	ha	hb	l x b x h
219149		ST4.2_8-18	3.75-4.25	7-7.25 x 8.5	0.55	8.45-8.95	12.7 x 13 x 13.25
216281		ST4.8_10-16			0.6		15.4 x 17.6 x 20.1
137940		ST4.8_10-16	0.66-2.1	11.75-12.25 x 12	0	7	11.6 x 16.8 x 7.9
019685		ST4.8_10-16	0.7-1.5	14.8-15.2 x 11.8-12.2	0.6	16	26 x 17.5 x 17.6
207297		ST4.8_10-16	0.7-1.5	15 x 12	1	15.1-15.9	26 x 17.5 x 17.6
138072		ST4.8_10-16	0.7-2.3	12.9-13.1 x 13	2		15 x 23 x 8.6
137803		ST4.8_10-16	2.1-2.5	10-10.2 x 8.1	0.64	10	9.4 x 11.6 x 12.4
246837		ST6.3_14-14	2.2-2.8	12 x 9	0.6	4.1-4.7	13.5 x 12 x 7.5

# NUT

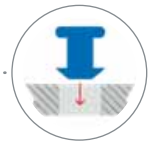
## RECTANGULAR HOLE MOUNT - PLASTIC



All dimensions in mm / Other dimensions and variants on request.

Ref.	Design	S1	F1	L1 x B1	ha	hb	l x b x h
207747					1		12 x 12 x 12
205048			0.8-1	10 x 10			19.6 x 15.6 x 18
212630			1-1.2	20-20.27 x 20-20.27	2	16.8-17	31 x 31 x 20
228602			1-1.5	20.6-20.87 x 20.6-20.87	2	16.5-17	31 x 31 x 20
229128		Hi-Lo 4,2	1.4-1.6	18.9-19.1 x 18.9-19.1	2	15.1	
016793		Hi-Lo 4,8	2-5.5	11.5 x 7.5	2.5	5.7-9.2	
015335		Hi-Lo 4,8	2-8	6.5-6.7 x 6.5-6.7	2	8.7-14.7	10 x 10 x 18.7
200874		Hi-Lo 4,8	5		7.5	5.2	

# NUT



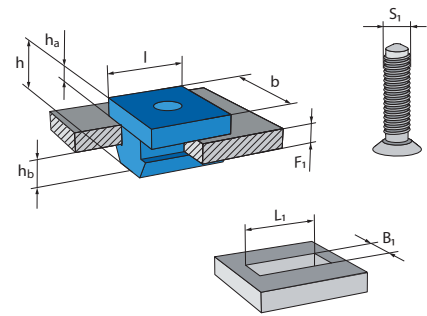
## RECTANGULAR HOLE MOUNT - PLASTIC

All dimensions in mm / Other dimensions and variants on request.

Ref.	Design	S1	F1	L1 x B1	ha	hb	l x b x h
003088		M4 x 0,70	0.8-1.2	8.2 x 8.2	0.8	11	11 x 11 x 12
243217		M5 x 0,80	2	11.9-12.1 x 11.9-12.1	2.5	16	16 x 16 x 18.5
214947		MT 4,50	0.67	16.5 x 8.7	15.3	4.3	23.8 x 20 x 20.27
210255		MT 4,50	0.67-0.77	18.2 x 9.2	15	9	28 x 33 x 26.35
056490		MT 4,50	0.67-1.5	8.2 x 8.2	2.1	13.17-14	
204249		MT 4,50	0.67-1.6	8.2 x 8.2	2.4	14	
222561		PT 5,0	0.7-1.2	8.2 x 8.2	1.4	17.4-17.9	19.4 x 19.4 x 20
224261		PT 5,0	2.5	8 x 8	4	4.25	12 x 24.5 x 11.25
233109		PT 6,0	1.3	12 x 9	1.5	4.9	14 x 16 x 8.5
247834		ST3.9/4.2	0.7-0.8	11-11.2 x 9-9.2	0.75	11.5	12.5 x 17.25 x 12.75
055995		ST4.2_8-18	0.6-3	8.2 x 8.2	2	10	12.8 x 12.8 x 12

# NUT

## RECTANGULAR HOLE MOUNT - PLASTIC



All dimensions in mm / Other dimensions and variants on request.

Ref.	Design	S1	F1	L1 x B1	ha	hb	l x b x h
214548		ST4.2_8-18	0.7	12.5-12.75 x 7-7.25	15.8	4.5	25.8 x 25.3 x 21
214389		ST4.2_8-18	0.7	12.5-12.75 x 7-7.25	16.9	3.3	25.8 x 25.3 x 21
013469		ST4.2_8-18	0.9	9.4 x 6.85-7	1.15	6.35	9.5 x 9.5 x 8.4
248254		ST4.2_8-18	1	8.8 x 8.8	0.7	9.3	15.6 x 15.6 x 11
152780		ST4.2_8-18	1.75-2	10 x 10	3.3	15-15.25	20 x 24 x 20.3
003236		ST4.2_8-18	3.5	6.7 x 6.7	1.2	8.4	9.5 x 9.5 x 9.6
175046		ST4.8_10-16		7 x 7			9.4 x 9.4 x 12.6
175135		ST4.8_10-16	0.65-1.5	8.2 x 8.2	0.8	10	12.8 x 12.8 x 10.8
152608		ST4.8_10-16	0.7-1	9.4-9.6 x 9.4-9.6	2.5-3	17.3-17	22 x 22 x 20.5

# NUT



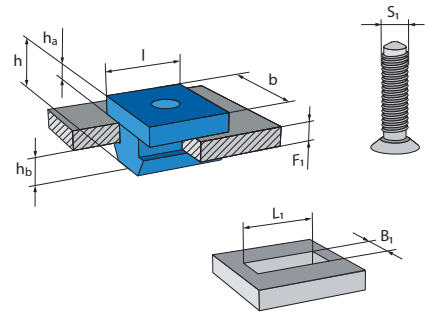
## RECTANGULAR HOLE MOUNT - PLASTIC

All dimensions in mm / Other dimensions and variants on request.

Ref.	Design	S1	F1	L1 x B1	ha	hb	l x b x h
235551		ST4.8_10-16	0.7-1.6	9.4 x 9.4	1.15	16.4-17.5	12.3 x 12.3 x 19.35
243129		ST4.8_10-16	0.7-3	7.4-7.6 x 7.4-7.6	1	10-12.3	12 x 12 x 14
221628		ST4.8_10-16	0.8	10-10.2 x 10-10.2	4.5	11.2	15 x 15 x 16.5
175152		ST4.8_10-16	0.8	8.2 x 8.2	6	14.7	20 x 20 x 21.5
243835		ST4.8_10-16	1.2-1.3	12-12.2 x 12-12.2	4	6.2	15 x 15 x 11.8
152858		ST4.8_10-16	2-3.4	11.5 x 7.5	2.5	7.8-9.2	20 x 20 x 13.7
246553		ST4.8_10-16	3.2-3.5	9.5 x 9.5	1.5	14.5-14.8	13.5 x 13.5 x 19.5
102026		ST6.3_14-14	0.7-1.2	11-11.27 x 11-11.27	1.3	10.8-11.3	15 x 15 x 13.3
210479		ST6.3_14-14	0.7-1.2	12-12.27 x 8-8.22	14.3	10.8-11.3	22 x 18 x 26.3
152837		ST6.3_14-14	0.7-1.5	9.7 x 9.7	1.2-1.5	16.75-18.95	12.7 x 12.7 x 21
152024		ST6.3_14-14	0.8	10 x 14	1	11.2	13 x 15 x 13

# NUT

## RECTANGULAR HOLE MOUNT - PLASTIC

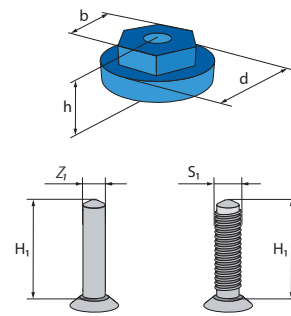
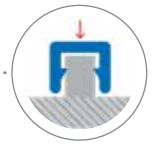


All dimensions in mm / Other dimensions and variants on request.

Ref.	Design	S1	F1	L1 x B1	ha	hb	l x b x h
248610		ST6.3_14-14	1.45-1.65	16-16.25 x 16-16.25	1.75	16.4-16.6	28.9 x 25.4 x 19.8

# NUT

## STUD MOUNT

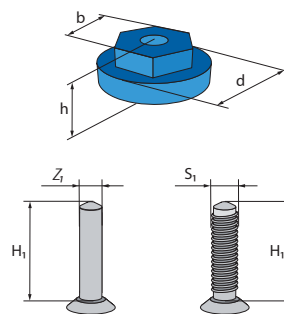
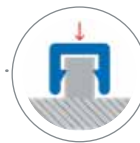


All dimensions in mm / Other dimensions and variants on request.





Ref.	Design	S1	Z1	H1	b	d	h
012269			4.92-5.08	9 min	9	14.5	5.4
017183			6.22-6.38	9 min	11	15	6.2
016632		M10 x 1,50			15	41	13.15
138358		M4 x 0,70	4		8.77-9	14.25	8.79
138381		M5 x 0,80			9.76-10	19	10.5
138360		M5 x 0,80	5		10.77-11	17.25	8
226577		SELF TAPPING M5,0 x 0,80		14.2	11.6	17.75	20.6
238761		SMOOTH-STUD 1/4»-6.35mm			10.88	17.9	7.06

# NUT

## STUD MOUNT

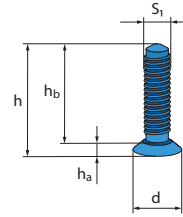
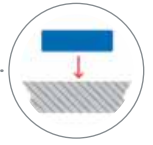


All dimensions in mm / Other dimensions and variants on request.

Ref.	Design	S1	Z1	H1	b	d	h
138851	 SMOOTH-STUD 1/4»-6.35mm		6.27-6.43		12.6		3.56
138853	 SMOOTH-STUD 1/4»-6.35mm		6.3-6.38	4 min	12.8-13		3.15-3.65
241276	 SMOOTH-STUD 5mm		5		9.9	14.9	5.4
052835	 SMOOTH-STUD 6mm		6	8	11	15	5.75
020879	 T5 Stud			9 min	10	22.5	7
017144	 T5 Stud			11 min	8	25	10.5
017668	 T5 Stud			11 min	13	25	9.7
240797	 T5 Stud		5		10	22.5	9.5

# BOLT

## SURFACE MOUNT

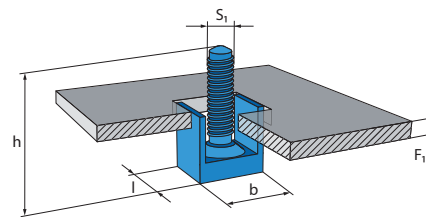
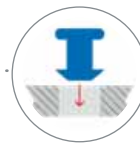


All dimensions in mm / Other dimensions and variants on request.

Ref.	Design	S1	h	ha	hb	d
234637		M6 x 1,00	19.5	1.8	17.7	22.5

# BOLT

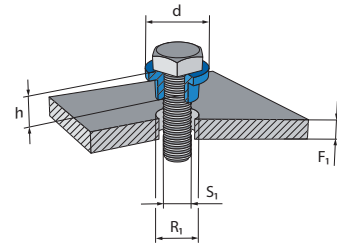
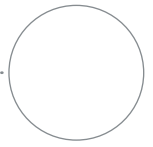
## HOLE MOUNT



All dimensions in mm / Other dimensions and variants on request.

Ref.	Design	S1	F1	l x b x h
200268		ST4.8_10-16	3-5	17 x 20 x 17
200581		ST4.8_10-16	3-5	20 x 20 x 17

# SCREW HOLDING CLIP



All dimensions in mm / Other dimensions and variants on request.

Ref.	Design	S1	R1	F1	h	d
212955		M14 x 2,00	14		17.04	15.7
215125		M8 x 1,25	32.5		7.7	32.5
240542		ST4.8_10-16	4.8	2.5	5	



# SHAFT & LINKAGE FASTENERS



## TRANSLATION LOCK AND ROTATION GUIDE

Translation lock and rotation guide ..... p.506

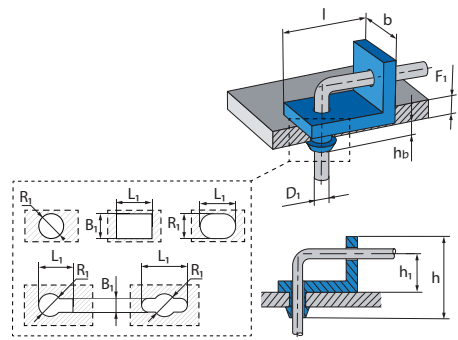
## PUSH-ON STUD RETAINER

Round stud mount ..... p.508  
 Round stud mount - anchor ..... p.517  
 Threaded stud mount ..... p.519  
 Rectangular stud mount ..... p.523

## STUD RECEIVER

Hole mount ..... p.525  
 Cavity mount ..... p.528

# TRANSLATION LOCK AND ROTATION GUIDE



All dimensions in mm / Other dimensions and variants on request.

Ref.	Design	R1	L1 x B1	L1 x R1	F1	D1	h1	hb	l x b x h
052655		5.3				5.3	15.25	6.5	25.7 x 10.5 x 15.9
018186		5.9-6			2	3	2.5	3.7	16 x 11 x 12
019200		5.9-6			4	5	2.5	3.7	16 x 11 x 13.9
019145		6-6.2			1.5-1.7	3.9-4.1	5	4-4.2	17.5 x 11 x 12.8
015923		6-6.2			3-3.3	1.9-2.5	2.7	3.4-3.7	16.5 x 12 x 13
175039		6.5-7			1.9-2.1	3.5	5	3	11 x 17 x 13.5
152543		7.2-7.4		12.8-13.8 x 7.2-7.4	2	3	4.5	3.6	17.5 x 10 x 15.6
015739		7.3-7.7			3-3.3	4	3.5	3.4-3.7	16.5 x 12 x 14.5

# TRANSLATION LOCK AND ROTATION GUIDE

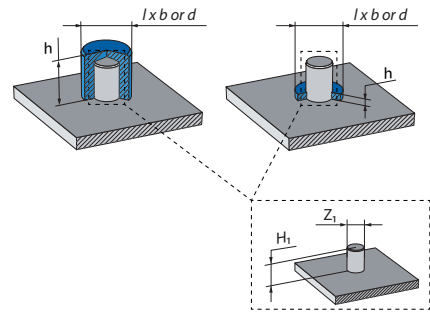


All dimensions in mm / Other dimensions and variants on request.

Ref.	Design	R1	L1 x B1	L1 x R1	F1	D1	h1	hb	l x b x h
018495		7.3-7.7			3-3.3	4	3.5	3.4-3.7	16.5 x 12 x 14.5
242159		7.4-7.6			2.9-3.1	4	5.2	3.5	16.5 x 12 x 14.5
053065		7.8-8			2-2.24	4.4	3.7	2.3	16.5 x 12 x 14.2
017290		7.8-8			2-2.3	4	3.5	3.7-4	16.5 x 12 x 13.7
129079		11.35-11.6			3	7	8	10	16 x 25.5-26.5 x 25.1-26.1
056171		12.2			1.8-2.2	8	8	9	27 x 18 x 26.2
213966		12.2-12.4	18-18.2 x 6.8-7	18-18.2 x 12.2-12.4	1.17-1.8	7	7.8	4.23	31 x 23 x 29.1
056352		12.35-12.55			1.8-2.2	8	8	7.8-8.2	27 x 18 x 26.2

# PUSH-ON STUD RETAINER

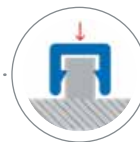
## SMOOTH STUD MOUNT



All dimensions in mm / Other dimensions and variants on request.

Ref.	Design	H1	Z1	d
228905				35
011876			2-2.1	9.5
017880			2.4-2.6	7
011753			2.5	9.5
016671			2.93-3	9.5
012111			3	11.5
011576			3	12
016392			3.43-3.5	12

# PUSH-ON STUD RETAINER



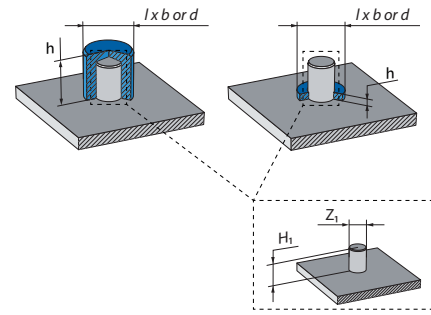
## SMOOTH STUD MOUNT

All dimensions in mm / Other dimensions and variants on request.

Ref.	Design	H1	Z1	d
014240			3.43-3.5	13
013085			3.5-3.6	9.5
017262			3.95-4.15	11.3
011959			4	9.6
011562			4	11.5
012734			4	11.5
013710			4	11.5
013719			4	12
014041			4	12
019770			4.2	14
018103			4.4-4.6	11.5

# PUSH-ON STUD RETAINER

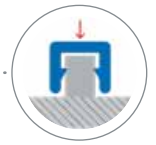
## SMOOTH STUD MOUNT



All dimensions in mm / Other dimensions and variants on request.

Ref.	Design	H1	Z1	d
018889			4.4-4.6	22
013604			4.5	11.5
151104			4.6-4.8	11.5
224479			4.8-5.2	12
014066			4.88-5	14.3
020586			4.9-5	12
018713			4.9-5	13.5
213019			4.93-5	11.5
018636			4.93-5	22

# PUSH-ON STUD RETAINER



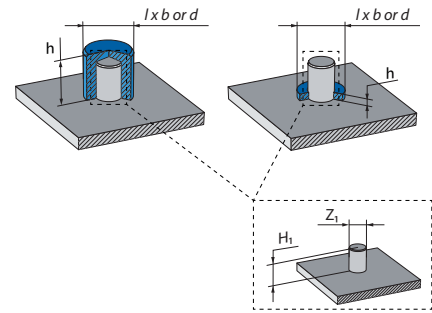
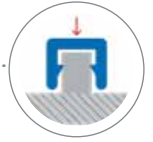
## SMOOTH STUD MOUNT

All dimensions in mm / Other dimensions and variants on request.

Ref.	Design	H1	Z1	d
013112			5	11.5
011903			5	14.3
013228			5	22
220435			5.25	17
210288			5.9-6.1	16
012205			6	22
018572			6-6.1	20.5
019236			6-6.1	22
015212			6.5-6.7	20.5
013214			7-7.1	13.5
016806			7.7-7.8	16.9

# PUSH-ON STUD RETAINER

## SMOOTH STUD MOUNT

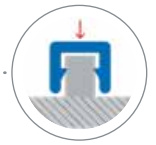


All dimensions in mm / Other dimensions and variants on request.

Ref.	Design	H1	Z1	d
014592			7.75-7.85	20.5
012561			7.8	22
233098			7.87-8.07	20
212825			7.9-8	12.6
215997			7.95-8.05	20.5
019496			8.1-8.3	17.5
014343			8.41-8.5	20
013798			9.5	20.5
230010			9.9-10.1	40

# PUSH-ON STUD RETAINER

## SMOOTH STUD MOUNT

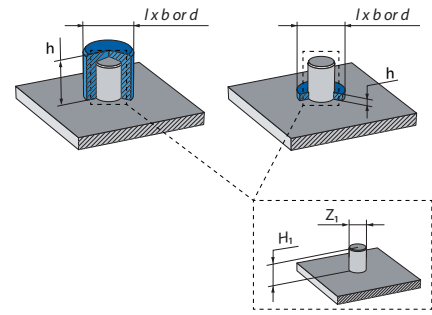
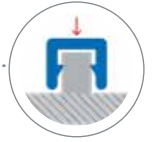


All dimensions in mm / Other dimensions and variants on request.

Ref.	Design	H1	Z1	d
014063			9.91-10	25
017085			9.91-10	25
228897			11	28
016569			11.5-12	25
017443			13.45-13.55	30
227874			14	26.9
013471			17.9-18	34
012722			20-20.2	34
013240			22-22.2	34
230270			27.45	40-40.5
151407			219-22.1	29

# PUSH-ON STUD RETAINER

## SMOOTH STUD MOUNT

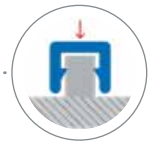


All dimensions in mm / Other dimensions and variants on request.

Ref.	Design	H1	Z1	d
052921		2-999	3.75	8
052515		2-999	4	13
054444		2-999	5	11.5
054340		2.2	9.5	15
248669		3-5	6.8-7.2	15.3
052233		3-999	3	11.5
051859		3-999	4	9.5
051832		3-999	4.1	11.5
051836		3-999	5	13

# PUSH-ON STUD RETAINER

## SMOOTH STUD MOUNT

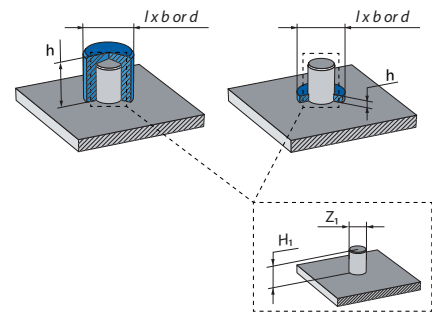


All dimensions in mm / Other dimensions and variants on request.

Ref.	Design	H1	Z1	d
054338		3-999	6	10.9
051835		3-999	6	13.1
054947		3-999	6	13.4
054339		3-999	7.55	12.9
239687		6-99	6.56	24
051856		10-99	2.5-2.7	9.5
051857		10-99	3	9.5
051858		10-99	3.5-3.7	9.5
051833		10-99	4.5	13
052675		10-99	4.9-5.1	13
151732		12	6.31-6.41	13.5

# PUSH-ON STUD RETAINER

## SMOOTH STUD MOUNT

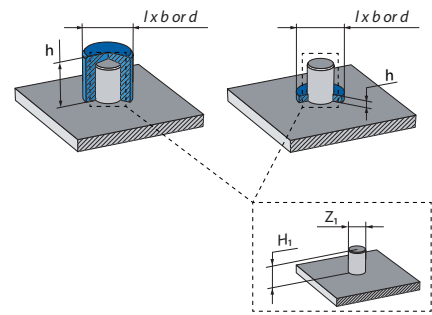
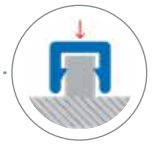


All dimensions in mm / Other dimensions and variants on request.

Ref.	Design	H1	Z1	d
151924		14	13.95-14.05	21.5
151857		15	11.95-12.05	21.41

# PUSH-ON STUD RETAINER

## STUD MOUNT

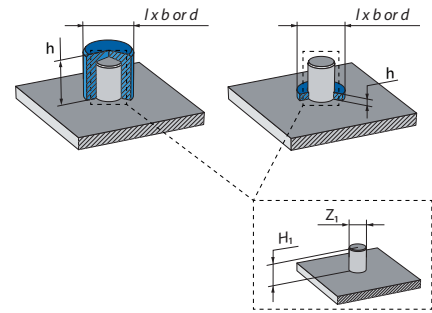
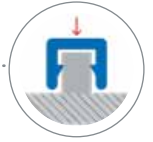


All dimensions in mm / Other dimensions and variants on request.



Ref.	Design	Z1	l x b x h
011513		2	10 x 6 x 1.5
011184		2.5	15 x 10 x 2.3
019301		2.93-3	7 x 7 x 1
013148		3-3.1	15 x 10 x 2
011183		3.5	15 x 10 x 2.1
011367		4.5	20 x 13.5 x 2.7
017445		4.9-5.1	15 x 15 x 3.5
019440		5.9-6.1	16 x 13.5 x 3.5

# PUSH-ON STUD RETAINER

## STUD MOUNT

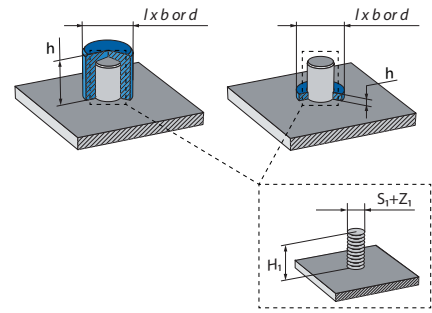


All dimensions in mm / Other dimensions and variants on request.

Ref.	Design	Z1	l x b x h
011330		6	20 x 13 x 2.7
137437		7.85-8	25.4 x 17.45 x 2.29

# PUSH-ON STUD RETAINER

## THREADED STUD MOUNT

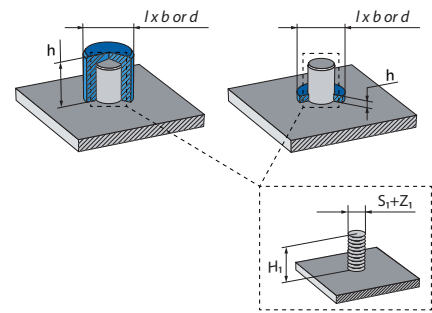


All dimensions in mm / Other dimensions and variants on request.

Ref.	Design	d	H1	Z1	S1
017034		11.5			M5 x 0,80
219131		12.7		6	M6 x 1,00
138657		15.9		7.94	UNC 5/16-18
244317		16.5-19.5	14.2		T5 Stud
222685		17			M6 x 1,00
151769		17		6	M6 x 1,00
016835		17	14.2		T5 Stud
137920		19		6	M6 x 1,00

# PUSH-ON STUD RETAINER

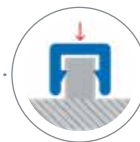
## THREADED STUD MOUNT



All dimensions in mm / Other dimensions and variants on request.

Ref.	Design	d	H1	Z1	S1
238883		19.62-20.12		10	M10 x 1,50
138646		19.87	5 min	10	M10 x 1,50
138647		21.41		12	M12 x 1,75
226158		22	5-30	6	M6 x 1,00
054832		23	10-99	5	M6 x 1,00
140648		23.6-24	5 min	8	M8 x 1,25
138697		23.8		8	M8 x 1,25
236766		28.75-29.25		12	M12 x 1,75
018961		30			T5 Stud

# PUSH-ON STUD RETAINER



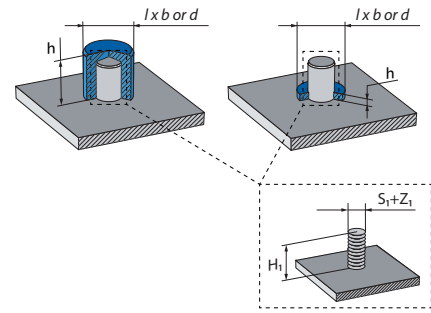
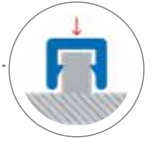
## THREADED STUD MOUNT

All dimensions in mm / Other dimensions and variants on request.


Ref.	Design	d	H1	Z1	S1
151497		30		5	M5 x 0,80
204367		30	9		T5 Stud
151465		30	12		T5 Stud
151516		30	12	5	T5 Stud
056752		30	14	5	T5 Stud
056396		30	18	5	T5 Stud
231092		30	18	5	T5 Stud
200139		30.5	14	5	T5 Stud
229992		35		16	M16 x 2,00
013925		35	7		M5 x 0,80
054962		40	14.2	5	T5 Stud

# PUSH-ON STUD RETAINER

## THREADED STUD MOUNT

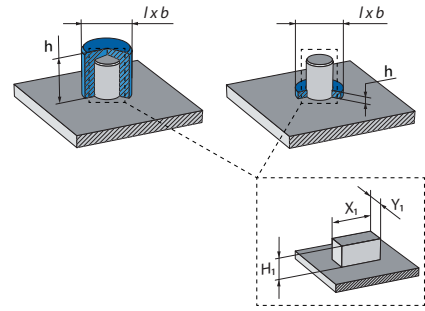


All dimensions in mm / Other dimensions and variants on request.

Ref.	Design	d	H1	Z1	S1
221100		40	16	8	M8 x 1,25

# PUSH-ON STUD RETAINER

## RECTANGULAR STUD MOUNT

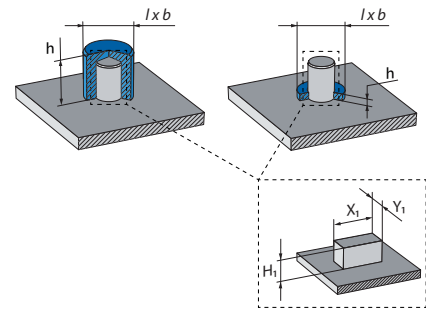


All dimensions in mm / Other dimensions and variants on request.






Ref.	Design	H1	Y1 x X1	l x b x h
200980			1.2-1.4 x 14-20	41.1 x 6 x 5.8
015061			1.5-1.9 x 10-17	30.6 x 6 x 3.8
016418			1.5-1.9 x 10-17.5	30.5 x 6 x 3.8
015538			1.5-1.9 x 14	60.3 x 6 x 4.3
015906			1.5-1.9 x 20.5 max	41.2 x 6 x 5.8
229330			1.9-2.1 x 10-12	21.7 x 9.6 x 2.2
014014			1.9 x 3-3.2	30 x 15 x 3.6
200724			2.5-2.9 x 18	30 x 20.8 x 3.8

# PUSH-ON STUD RETAINER

## RECTANGULAR STUD MOUNT

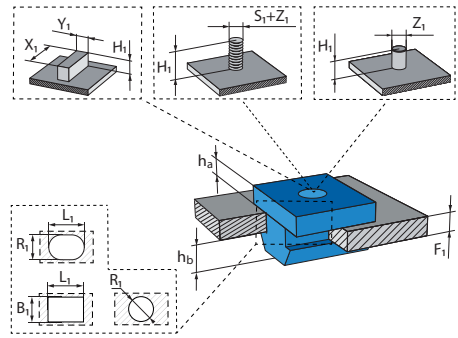


All dimensions in mm / Other dimensions and variants on request.

Ref.	Design	H1	Y1 x X1	l x b x h
205279			2.9-3.1 x 6-9	14.6 x 11.6 x 1.7
011510			3 x 8	20 x 10 x 3.1
012436			5 x 5	
257432		6	1.5 x 8	16 x 5.01 x 2.58
233786		10 min	1-1.4 x 9.33-9.73	22.8 x 9.4 x 4.6

# STUD RECEIVER

## HOLE MOUNT

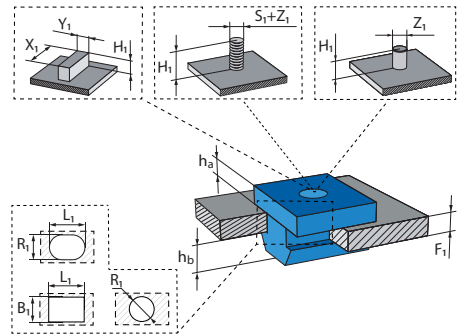


All dimensions in mm / Other dimensions and variants on request.

Ref.	Design	B1	L1	R1	F1	H1	Y1 x X1	S1	Z1	ha	hb
131292				5.3	0.7-2						
052400				6.3	0.7-1.2	5			4.8-5.1	1	4.8-5.3
247660				7.9-8	0.95-1.05				4.5	1.3	13.65-13.75
228596				8	14						
218222				8-8.2	0.7-0.9	14.4				1.65	11.45-11.65
052018				8-8.2	0.7-1.1				6.6	1	14.5
241203				8-8.2	0.7-1.1				6.6	1	
155153				8-8.2	0.7-2	13.5			4.2	1.5	14

# STUD RECEIVER

## HOLE MOUNT



All dimensions in mm / Other dimensions and variants on request.




Ref.	Design	B1	L1	R1	F1	H1	Y1 x X1	S1	Z1	ha	hb
229078				8-8.2	0.8-1			SMOOTH-STUD 6.5mm		2	14.2-14.4
200158				8.2	0.8-2.5				7.1	1	16.05
238157				12.35-12.6	0.65-3.65	16.5			9.7-9.9	2	20.35-23.35
238155				14.35-14.6	0.65-3.65	14			11.75	2	20.35-23.35
056174			12	8	3-3.5	10			6	1	13
238156			22.05-22.3	14.05-14.3	0.65-3.65	14			11.7-11.8	2	20.35-23.35
230673		14.2;14.6	19.2-19.6		2.4-2.6	14.2		SELF TAPPING M5,0 x 0,80	5	0	6
219229		6-6.2	12-12.2		3.1-3.3		4.1-4.5 x 12			0.35	11.15-11.55
207628		8	10.5		4.2-4.4				5	0.5	9.5-9.7

# STUD RECEIVER

## HOLE MOUNT



All dimensions in mm / Other dimensions and variants on request.





Ref.	Design	B1	L1	R1	F1	H1	Y1 x X1	S1	Z1	ha	hb
017193		10.3-10.7	14.8-15.2		1.25		3.9 x 5.5			1.7	13.2
015602		15		9.8	0.7-1.1		2.5 x 9.4			1.2	7.7-8.1
201672		20	22.15		1.5				6	1.5	

# STUD RECEIVER

## CAVITY MOUNT



All dimensions in mm / Other dimensions and variants on request.

Ref.	Design	L1 x B1	G1	Y1 x X1	I x b x h
202333					9.21 x 13 x 5.6
053017					4 x 5 x 2.9
052202		13 x 5	12		6.1 x 13 x 8.2
054532		14 x 5	4	2.2-2.6 x 13	13 x 5.8 x 7.5

# ADAPTERS

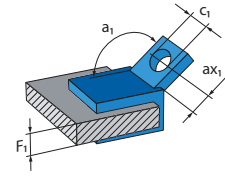
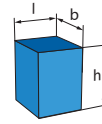


## AR PRODUCT ADAPTER

Edge mount - mounting with other elements.....	p.530
Edge mount.....	p.534
Edge mount - device mount - tab.....	p.535
Round hole mount.....	p.536
Hole mount - device mount - round .....	p.537

# AR PRODUCT ADAPTER

## EDGE MOUNT - MOUNTING WITH OTHER ELEMENTS



All dimensions in mm / Other dimensions and variants on request.

Ref.	Design	F1	c1	a1	p1	ax1	l x b x h
053241		0.5-2	6.1	90		6.5	7.6 x 33 x 12.8
054030		0.5-3	6.6	180		5.4	24.9 x 33 x 6
018692		0.6-1.2	5	75	1.7	3.6	11.7 x 33 x 11.7
054220		0.7-2	6.7	90		5.8	17.5 x 28 x 9
054207		0.7-2	6.7	180	1.4	5.4	21.5 x 28 x 5.2
201128		1.5-2.5	6.3	90		8.8	23 x 22 x 9.8
054840		1.5-3	6.2	90		5.8	8.65 x 28 x 18.8
015173		1.5-3	6.4	180	1.7	6.8	20 x 22 x 4.4

# AR PRODUCT ADAPTER



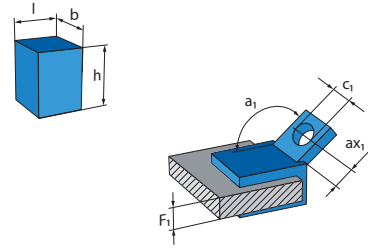
## EDGE MOUNT - MOUNTING WITH OTHER ELEMENTS

All dimensions in mm / Other dimensions and variants on request.

Ref.	Design	F1	c1	a1	p1	ax1	l x b x h
053041		1.5-3	6.6	90		4	8 x 33 x 12.4
054219		1.5-3	6.7	90	2.4	5.8	18.1 x 28 x 9
053544		1.5-3	6.7	90	3.5	6.3	16.8 x 33 x 12.4
054218		1.5-3	6.7	180		5.9	21 x 16 x 5
055643		1.5-4.5	5.3	90	2	8	21.9 x 20 x 16
015668		1.6-1.8	6	90	1.4	5.9	11 x 12 x 16
202835		2	6.3	90	1.4	9	16 x 20 x 22.5
203302		2-3	6.5	90	1.7	14	12.5 x 30 x 26.5
020478		2-3	6.5	90	1.7	14	12.5 x 30 x 26.5
017536		2-3	7.2	90	1.7	14	12.5 x 30 x 26.5
053409		3-4	6.7	90		8.1	18 x 33 x 12.4

# AR PRODUCT ADAPTER

## EDGE MOUNT - MOUNTING WITH OTHER ELEMENTS



All dimensions in mm / Other dimensions and variants on request.


Ref.	Design	F1	c1	a1	p1	ax1	l x b x h
054025		3-5	6.7	90		6.5	8 x 28 x 19.5
054026		3-5	6.7	180		5.9	21 x 28 x 6.1
053748		3-10	6.7	180	1.9	10	52 x 16 x 19.3
020305		3.3-3.7	6.2	90	2	6	12.5 x 30 x 18.8
201129		3.5-4.5	6.5	90		9.15	11 x 22 x 22
055445		3.5-6	6.5	90	2.3	8	23.55 x 20 x 15.7
053543		4-7	6.5	90	1.9	11.1	25.9 x 12 x 17.2
053245		5-8	6.5	90		10.6	13.1 x 16 x 26
208032		6	6.7	90	5	15	35.34 x 32 x 22

# AR PRODUCT ADAPTER



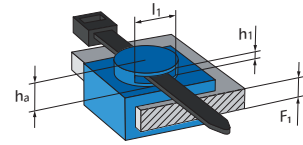
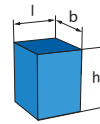
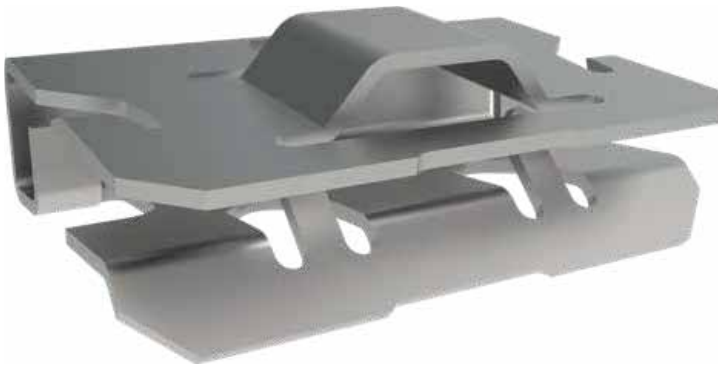
## EDGE MOUNT - MOUNTING WITH OTHER ELEMENTS

All dimensions in mm / Other dimensions and variants on request.

Ref.	Design	F1	c1	a1	p1	ax1	l x b x h
053749		10-18	6.7				52 x 16 x 25

# AR PRODUCT ADAPTER

## EDGE MOUNT

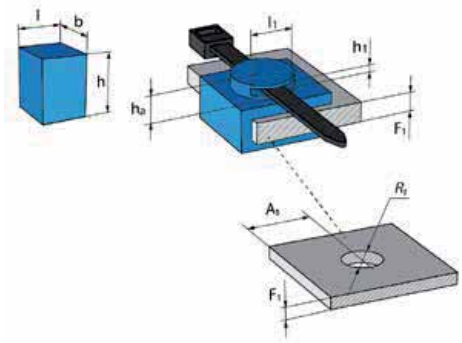


All dimensions in mm / Other dimensions and variants on request.

Ref.	Design	F1	ha	l1		l x b x h
019408		1-3	3.1	5	2.9	15.3 x 18 x 13
236331		1.5-3.5	3.1	5.1	1.3	17.6 x 12 x 17.2
208738		1.5-4	2.6	5	1.8	14.2 x 15 x 7.6
017890		1.5-4.5	3.5	6	2.8	17.8 x 25 x 8.6
220737		3-6	2.7	5	3	14.1 x 15 x 9.6
061888		3-11	7	10		60 x 25 x 40
020848		6-9	3.1	5	6	16.4 x 18 x 13
061889		11-20	7	10		60 x 25 x 45

# AR PRODUCT ADAPTER

EDGE MOUNT - DEVICE MOUNT - TAB

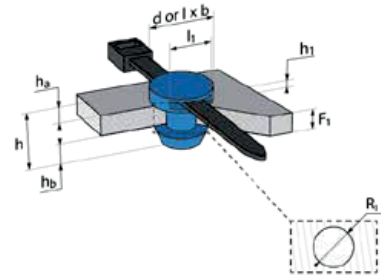


All dimensions in mm / Other dimensions and variants on request.

Ref.	Design	R1	F1	A1	ha	l1	l x b x h
018563		3.9-4.1	0.9-1.1	6.9-7.1	2.5	5	15.7 x 16 x 4.2
222690		5.9-6.1	1-3	6.9-7.1	2.7	5	14.1 x 15 x 8.1
218991		5.9-6.1	1.15-1.35	6.9-7.1	2.7	5	14.1 x 15 x 8
223268		5.9-6.1	3-6	7.4-7.6	2.7	5	14.1 x 15 x 9.6

# AR PRODUCT ADAPTER

## ROUND HOLE MOUNT

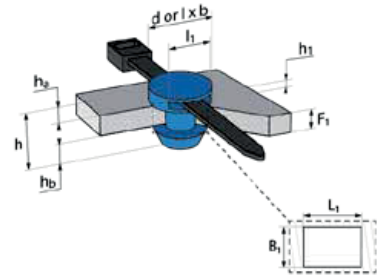
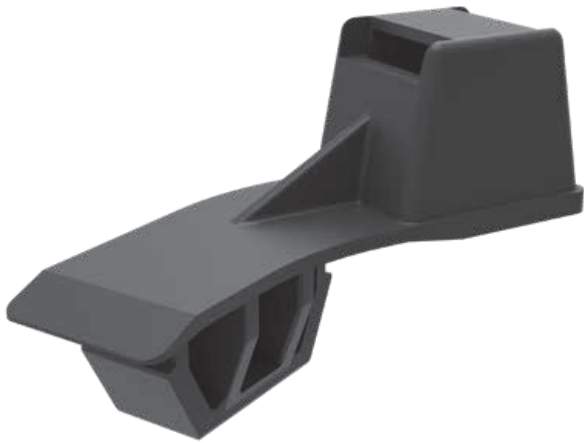


All dimensions in mm / Other dimensions and variants on request.


Ref.	Design	R1	F1	ha	hb	h1	l1	l x b x h
231437		5.4-5.6		7.25	6.5	1.8	9	26 x 10 x 17
207084		6.5-6.7	0.5-6	12		5.1	8	
216765		6.7-6.9	1.5-5.5	7.5	4.5-8.5	2	8	28.75 x 13.5 x 17.5
055969		7-7.2	0.5-4	9.8	3-6.5	3	10	31 x 13 x 16.8
221263		7.8-8.2		23		2.5	8.5	25 x 10 x 47
056251		11	7.5-8	17.5	3-3.5	2.1	10	53 x 20 x 38.5
014114		14.2-14.4	8	19	10	1.8	9.2	25 x 25 x 56.5
013886		14.9-16.1	8	19	10	1.8	9.2	25 x 25 x 37

# AR PRODUCT ADAPTER

HOLE MOUNT - DEVICE MOUNT - RECTANGULAR



All dimensions in mm / Other dimensions and variants on request.

Ref.	Design	L1 x B1	F1	ha	hb	h1	l1	l x b x h
211729		14 x 9.5	2.2	5.5	12.3	1.9	1.8	38 x 20 x 20

# Brackets

## Vehicle specific developments

### Multi-purpose holders and adapters designed for wires, sensors, connectors, pipes, relays, heavy-duty assemblies and more.

ARaymond brackets in metal, plastic, or combination assemblies are designed to perform in a wide variety of applications and environments. Our core competencies in stamping and bending of spring or mild steel are applied to create functional brackets for pipe or cable routing, or when strength is required. By combining our expertise and assembly system portfolio, we create custom solutions to fulfill your needs.



### ROBUST

Our spring steel brackets are ideal for harsh environments and high temperature areas, for applications such as underbody, engine bay, and wheel arches.

### VERSATILE

We can provide versatile, complex shapes to suit almost any packaging requirement, as well as surface treatment to suit all vehicle environments.

### WEIGHT SAVING

Spring steel is a light weight, high strength and yet flexible material specifically suitable for ergonomic fastening.

Our plastic brackets are lightweight and resistant to high temperatures.

SPRING STEEL  
BRACKETS



PLASTIC BRACKETS



PLASTIC & METAL BRACKET  
ASSEMBLIES



BI-INJECTION



# Cable channels

## Vehicle specific developments

### Protecting or forming of the wiring harness

Our many years of experience and design expertise allow us to develop cable channels which are optimized to fit both our wire harness customers and OEMs requirements and specifications.

### ROBUST AND OPTIMIZED

The ARaymond™ cable channels are made from injection-molded plastic components with or without anti-creeping rings and provide robust performance throughout the vehicle's lifetime.

The parts allow an optimized number of fixing points while maintaining complete control of wire harness.

### REPEATABILITY

Our designs facilitate quick and easy assembly line processes.

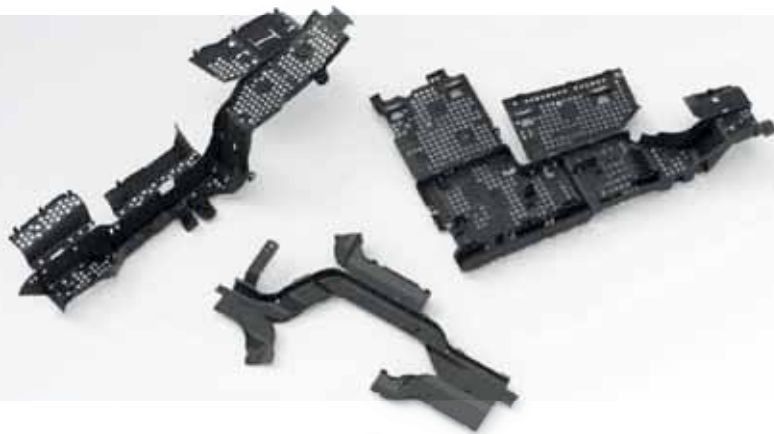
They provide **repeatable wiring harness assembly, even in complex packaging areas.**



ENGINE BAY



INTERIOR



UNDERBODY



HIGH VOLTAGE



# Covers & protectors

Vehicle specific developments

**These parts protect, can provide serviceability, offer strain relief, and improve aesthetics.**

## ASSEMBLY VERIFICATION

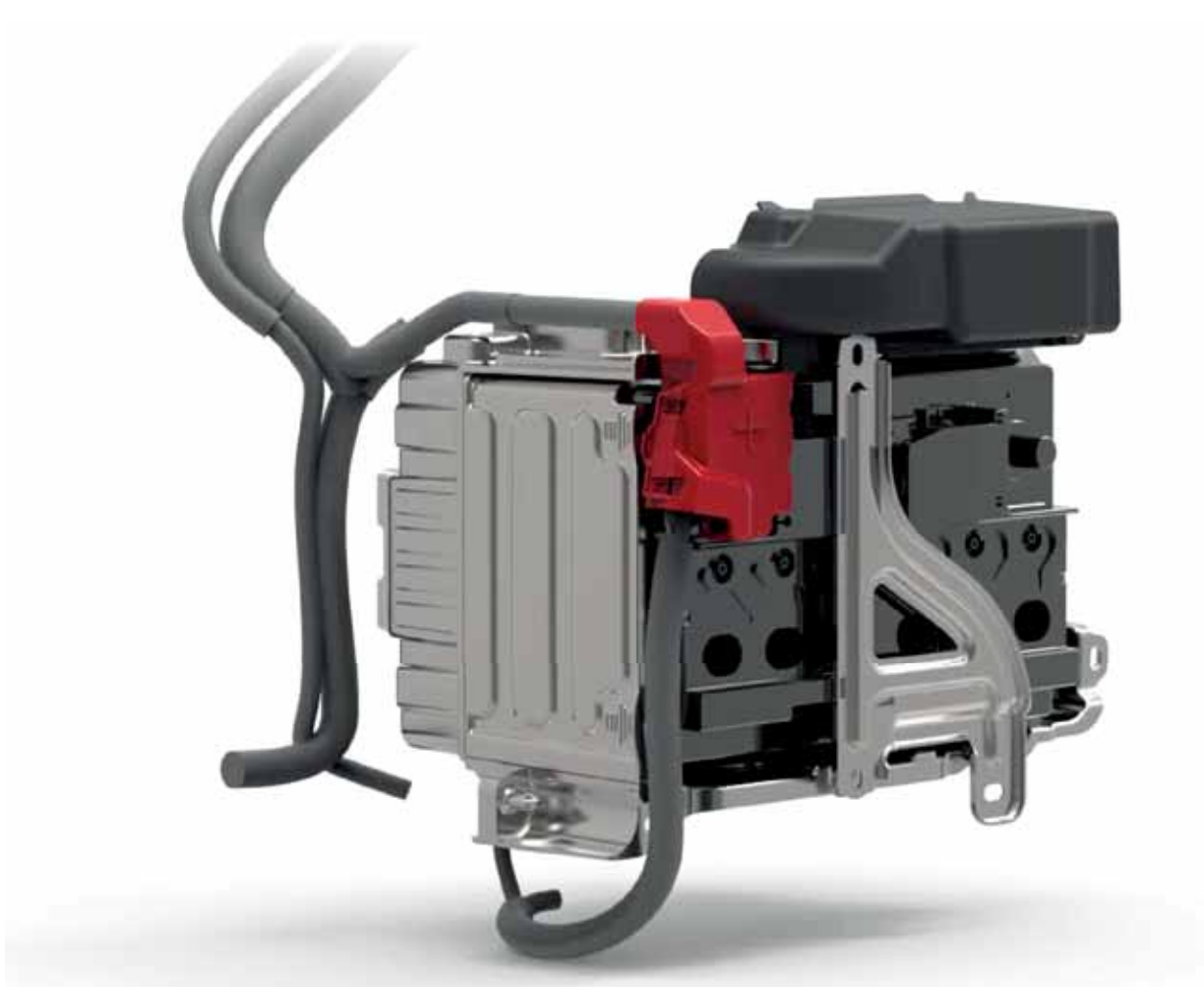
Our parts can be embedded with QR / bar codes or RFID tags, for in-process assembly verification and automated visual inspection.

## ROBUST DESIGN

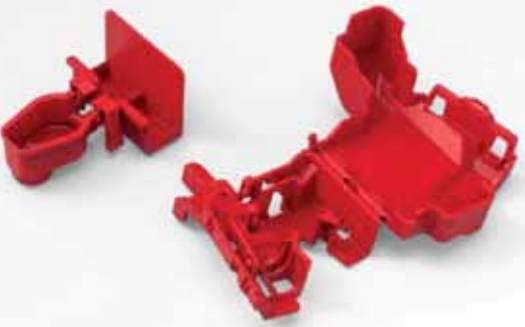
Our protectors allow for several assemblies and disassemblies without loss of performance, and prevent short circuiting.

## SECURE FASTENING

Our multifunction stress covers protect harness wires, provide strain relief, and beautify the engine compartment.



BATTERY POSITIVE POLE  
COVERS AND PROTECTORS



ELECTRONIC BOX  
PROTECTORS



STRESS & STRAIN  
RELIEF COVERS



# Custom development & manufacturing expertise

## Vehicle specific developments

### DESIGN, MANUFACTURING & ASSEMBLY OF COMPLEX PARTS AND MECHANISMS

ARaymond offers vehicle specific development services to respond to assembly challenges.

We handle all stages of the development process, from product design to manufacturing of complex or detailed parts.

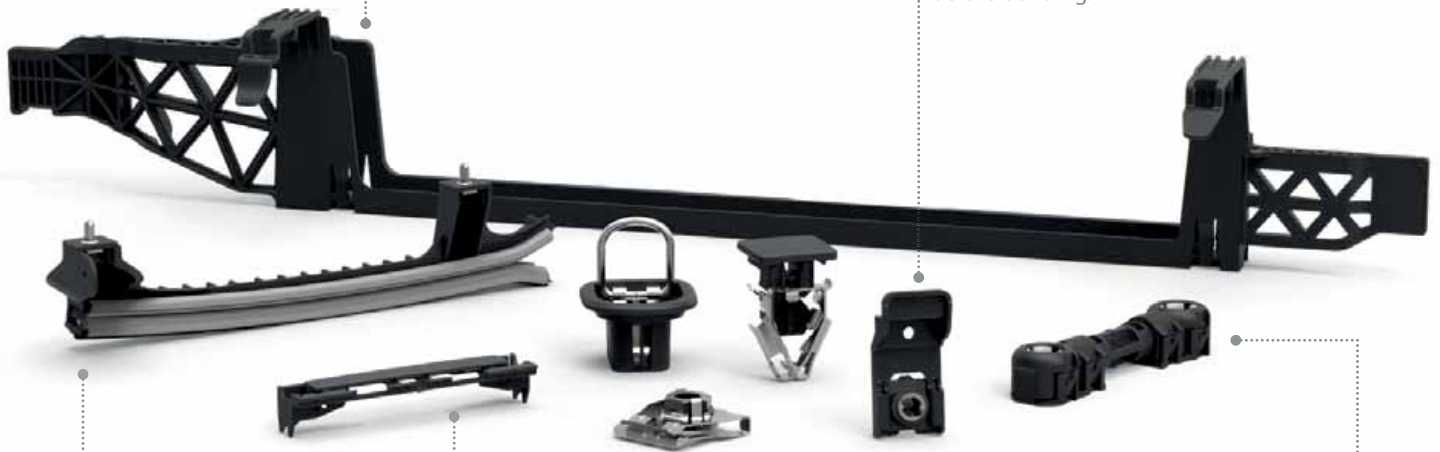
We also combine our expertise in clipping, connecting, and bonding to provide the best assembly solution.

#### TOC Bracket

Lightweight bracket to replace a complex mounting assembly for transmission oil cooler.

#### Window positioning clip

Easy to mount and adjust for the tolerances of window positioning before bonding.



#### Window channel

Designed to ensure that rubber cannot move during the repeated up and down movements of the glass.

#### Roof molding flap

Easy to mount, delivered as a mounted part combining the two plastic parts, and in trays to allow a fully automatic assembly.

#### Modular connecting rod

Fixed between the suspension arm and the height sensor, and can be assembled automatically or manually due to a flat surface and audible confirmation.

### ACTUATOR AND ADJUSTER

Our experts optimize the design of individual parts to be assembled together to ensure both a good assembly and end performance.

100% control of assembly to ensure the functioning of the part.



# Closure bumpers

Vehicle specific developments

A full range of solutions for closure systems

## ASSEMBLY TIME REDUCTION

Our bumpers allow assembly time reduction due to a perfect fit and an easy assembly process.

## PERCEIVED QUALITY

We can improve passenger comfort and vehicle aesthetics by reducing noise propagation and ensuring fit and finish adjustments.

## STANDARDIZATION

Our bumpers can be used for different panel thicknesses allowing a wide flexibility of assembly.

### POSITIONING BUMPERS



### OVERSTROKE BUMPERS



### EJECTOR BUMPER



# Washer systems & accessories

## Vehicle specific developments

### Solutions for washing and cleaning

Developed to be mounted to the hood (top or bottom), cowl panel, wiper arm/blade, sheet metal, spoiler or in the third brake light, our nozzles can handle all fluid delivery needs for the front and rear windshields or integrated to clean cameras and sensors.

### OPTIMIZED DESIGN

Each nozzle is specifically developed per vehicle application to optimize the nozzle packaging within the vehicle environment and provide efficient fluid consumption.

### MULTIPLE SPRAY OPTIONS

We offer many different nozzle options from fixed and adjustable spray patterns with oscillating fan, static fan, jet, or combination (oscillating and jet) patterns, with optional integrated check valves and heating elements to fulfill your cleaning and packaging requirements.



Nozzles and jumper tube assemblies

### NOZZLE ACCESSORIES

A variety of ARaymond nozzle accessories are available including in-line check valves, quick connectors, unions, jumper hoses/tubes, and fasteners to support the routing, fastening, and connecting of the fluid supply line throughout the vehicle.

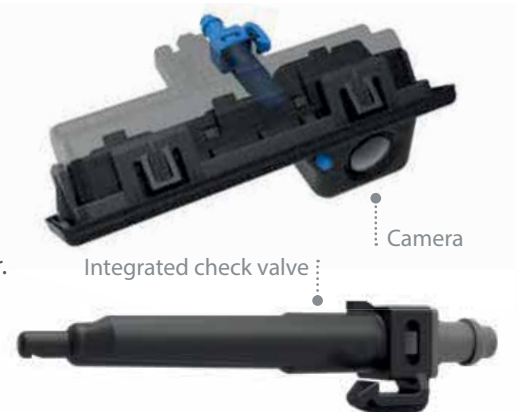


Quick connectors

Check valves

### SOLUTIONS FOR CAMERA AND SENSOR CLEANING

Compact design for integration into sensor bracket or housing.  
Low profile nozzle head provides a clear viewing field from camera or sensor.  
Custom attachment methods for easy assembly and serviceability.



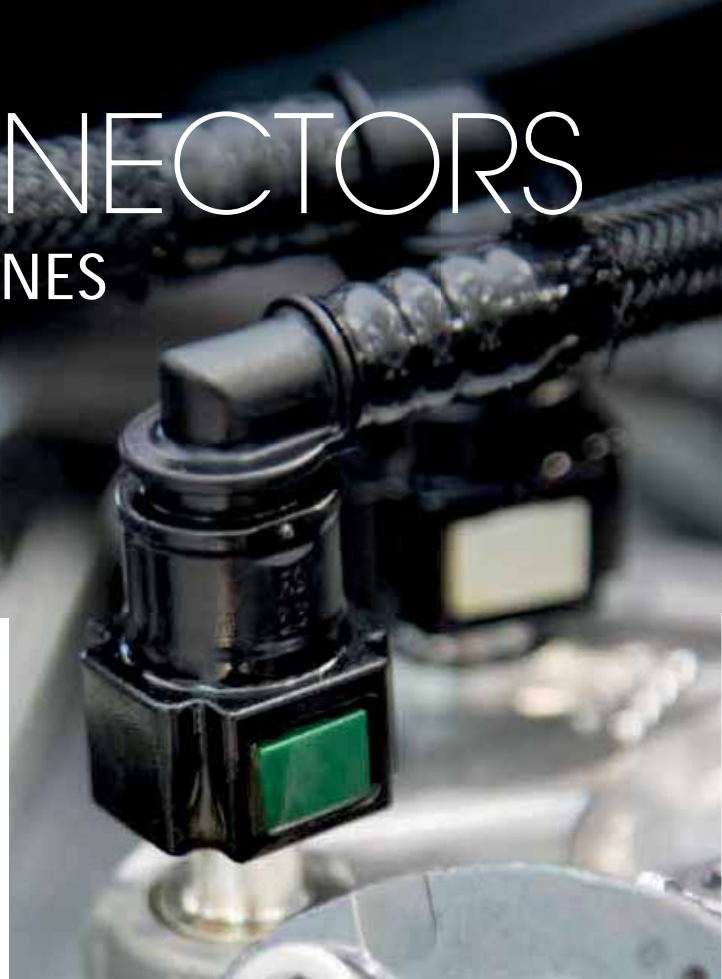
Camera

Integrated check valve

# QUICK CONNECTORS

## FOR AUTOMOTIVE FLUID LINES

As a **pioneer in plastic Quick Connectors**, ARaymond has developed and patented many QCs for more than 20 years. Since then, we have **constantly innovated** to meet new customer requirements and prepare for emerging automotive industry trends.



Adapt to any packaging environment with a wide range of geometries, angles and multiways



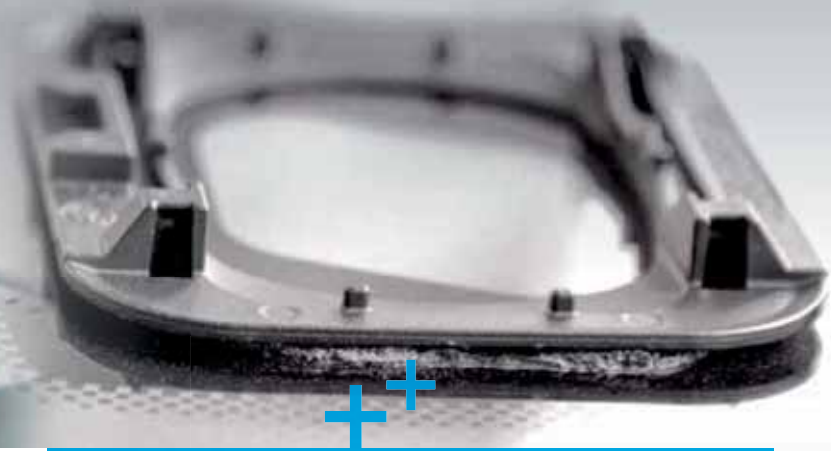
VDA for Engine and Battery Cooling



Secured and automatic connectors with tactile, visual and audible confirmations

Check out our e-catalog:  
<http://connecting.araymond-automotive.com>

# BONDING SOLUTIONS FOR AUTOMOTIVE FASTENERS



Successful bonding is not just about the adhesive choice; we develop **a complete tailor-made solution** guaranteeing **performance and satisfaction** through the last day of production.

**For a secured and reliable bonding assembly**

- Improved quality
- Process reliability
- Cost control
- Innovative designs and personalized support

## ASSEMBLY OF ADD-ON PARTS ON GLAZING

### Bonded sensors and cameras

- Bonded pre- or post-autoclave, which allows more freedom on the assembly line.
- No curing stock.

### Bonded opening glazing systems

Allows reduced glass dimensions, lighter weight and improved design.



## AESTHETIC FASTENING

This ready-to-assemble and invisible solution offers a perfect A-surface while maintaining strength. Because it is compact, packaging and shipping are more efficient and cost effective.



## ANCHOR POINTS ON COMPOSITE MATERIALS

- Respect the structural integrity of lightweight materials.
- Eliminate corrosion between two incompatible materials.
- Easy to mount from a variety of positions.



# PART NUMBER INDEX

003059 ....415	011959 ....509	012856 .....85	013604 ....510	014304 ....187
003071 ....280	011994 .....98	012857 .....94	013664 .....93	014319 ....126
003072 ....389	012037 ....107	012920 .....93	013677 ....152	014323 ....283
003074 ....470	012061 ....105	012927 ....363	013695 ....479	014339 ....481
003080 ....470	012105 .....88	012968 ....280	013696 ....370	014343 ....512
003088 ....495	012111 ....508	013011 ....415	013698 ....364	014351 ....121
003096 ....416	012135 ....119	013066 .....96	013710 ....509	014373 ....450
003209 ....391	012202 .....91	013085 ....509	013719 ....509	014398 .....99
003212 .....59	012205 ....511	013087 ....102	013735 ....116	014420 ....107
003220 ....447	012247 .....95	013098 .....97	013772 ....369	014428 .....96
003236 ....496	012269 ....499	013107 .....99	013790 .....91	014482 ....257
003243 .....54	012271 ....398	013112 ....511	013795 .....93	014547 ....120
003250 ....284	012301 ....403	013121 ....119	013798 ....512	014552 ....103
003251 ....466	012313 .....98	013126 ....362	013840 ....413	014568 .....17
003260 ....468	012347 .....95	013146 .....98	013847 ....144	014592 ....512
003274 .....8	012392 ....106	013148 ....517	013872 .....93	014602 ....231
011183 ....517	012414 ....280	013166 .....93	013886 ....536	014606 ....126
011184 ....517	012426 ....107	013176 ....475	013918 .....87	014620 ....479
011289 .....88	012436 ....524	013214 ....511	013925 ....521	014629 ....278
011317 ....103	012462 ....370	013217 ....107	013949 ....400	014635 .....95
011326 ....147	012479 ....101	013228 ....511	013951 ....127	014691 .....8
011330 ....518	012490 .....93	013240 ....513	014014 ....523	014701 ....232
011362 ....479	012553 .....88	013250 ....127	014023 .....90	014732 ....126
011367 ....517	012561 ....512	013276 .....94	014041 ....509	014748 ....248
011427 ....484	012582 ....322	013300 .....95	014050 ....173	014752 ....208
011430 .....98	012583 ....278	013311 ....185	014055 ....322	014767 ....127
011510 ....524	012612 ....122	013341 .....90	014062 ....151	014772 ....214
011513 ....517	012623 ....101	013370 ....119	014063 ....513	014783 ....278
011534 ....103	012639 .....96	013399 ....174	014066 ....510	014786 ....126
011536 .....93	012658 ....103	013411 ....104	014075 ....127	014911 ....108
011562 ....509	012691 .....85	013429 .....8	014110 ....487	014944 ....210
011576 ....508	012696 ....412	013430 .....8	014114 ....536	014977 .....98
011753 ....508	012718 ....362	013469 ....496	014155 .....91	014978 .....99
011787 ....119	012722 ....513	013471 ....513	014173 .....98	014998 ....322
011851 ....102	012734 ....509	013474 .....96	014239 .....85	015006 .....93
011876 ....508	012738 ....282	013475 .....89	014240 ....509	015008 ....126
011882 ....107	012744 .....98	013476 .....92	014252 ....133	015009 ....403
011903 ....511	012764 ....100	013493 .....86	014263 ....105	015040 ....145
011931 ....105	012791 ....421	013500 ....100	014274 ....392	015056 ....114
011936 .....87	012791 ....422	013544 ....449	014277 ....105	015061 ....523

# PART NUMBER INDEX

015063 ....132	015718 ....123	016418 ....523	016862 .....91	017437 .....92
015070 ....396	015726 ....421	016436 ....100	016867 ....415	017443 ....513
015110 ....148	015726 ....422	016441 ....483	016868 ....152	017445 ....517
015160 .....95	015728 ....232	016443 ....106	016872 ....278	017462 ....145
015171 ....237	015732 ....122	016446 .....97	016893 ....284	017480 ....331
015173 ....530	015739 ....506	016448 ....285	016898 ....105	017482 ....259
015181 ....126	015749 ....403	016453 ....108	016900 .....88	017485 .....95
015212 ....511	015769 ....119	016455 .....94	016982 ....116	017521 ....257
015229 ....195	015770 .....26	016466 .....98	016983 ....279	017528 ....264
015231 ....216	015784 ....213	016496 ....239	017021 ....477	017529 ....257
015244 ....232	015808 ....444	016541 ....127	017029 ....127	017530 ....339
015246 .....16	015820 ....107	016555 ....402	017034 ....519	017536 ....531
015270 ....126	015841 ....181	016569 ....513	017055 ....114	017578 ....130
015272 ....150	015882 ....164	016583 ....481	017085 ....513	017584 ....178
015311 ....107	015896 ....130	016596 .....99	017095 ....259	017599 .....99
015314 ....144	015906 ....523	016608 ....198	017096 ....256	017600 ....256
015328 ....122	015923 ....506	016612 ....154	017097 ....257	017613 ....253
015330 ....177	015961 ....102	016613 ....109	017098 ....257	017620 ....264
015335 ....494	015968 .....97	016616 ....331	017115 .....86	017621 ....167
015360 ....212	015992 .....97	016632 ....499	017144 ....500	017634 ....483
015366 .....91	016008 ....132	016656 .....89	017151 ....116	017641 ....113
015385 ....102	016037 ....192	016669 ....107	017167 ....180	017668 ....500
015405 ....102	016048 ....122	016671 ....508	017177 ....215	017669 ....323
015435 ....360	016049 ....195	016681 .....94	017183 ....499	017685 ....143
015437 ....124	016059 ....279	016682 .....94	017186 ....267	017696 ....206
015441 ....132	016117 ....476	016692 .....162	017191 .....86	017699 .....99
015466 ....102	016131 ....130	016722 ....191	017193 ....527	017710 ....109
015467 ....280	016168 ....118	016741 .....85	017208 ....395	017713 ....259
015477 ....484	016178 ....394	016751 ....280	017234 ....323	017722 ....234
015490 ....103	016187 ....177	016757 ....378	017262 ....509	017732 ....483
015536 ....370	016197 ....132	016768 ....146	017290 ....507	017737 ....131
015538 ....523	016208 ....343	016793 ....494	017337 ....225	017783 ....251
015566 ....133	016290 ....375	016797 ....331	017351 ....323	017784 ....251
015578 .....17	016315 .....85	016800 .....99	017362 ....413	017785 ....251
015602 ....527	016330 ....195	016806 ....511	017363 ....196	017786 ....251
015668 ....531	016335 ....473	016816 ....145	017385 ....416	017790 ....264
015671 ....108	016392 ....508	016835 ....519	017404 ....152	017798 ....254
015704 ....103	016397 ....402	016848 ....375	017416 ....219	017825 ....285
015709 ....322	016402 ....111	016850 ....118	017420 ....280	017856 ....130

# PART NUMBER INDEX

017862 .... 96	018313 .... 109	018713 .... 510	019195 .... 168	019685 .... 493
017877 .... 217	018318 .... 336	018718 .... 191	019200 .... 506	019729 .... 104
017878 .... 257	018331 .... 184	018722 .... 190	019236 .... 511	019753 .... 445
017880 .... 508	018348 ..... 87	018725 .... 284	019274 .... 168	019756 .... 106
017890 .... 534	018368 .... 167	018732 .... 191	019301 .... 517	019757 .... 152
017904 .... 103	018369 .... 399	018741 .... 115	019314 .... 251	019759 .... 208
017905 .... 399	018371 .... 167	018769 .... 391	019317 .... 108	019766 ..... 87
017921 .... 283	018372 ..... 53	018773 .... 285	019324 .... 480	019770 .... 509
017924 .... 120	018374 .... 104	018795 .... 412	019329 .... 491	019772 .... 180
017930 .... 217	018400 .... 208	018833 .... 258	019371 .... 150	019833 .... 104
017934 ..... 89	018415 ..... 87	018853 .... 342	019378 .... 253	019835 .... 117
017946 .... 196	018416 .... 110	018889 .... 510	019408 .... 534	019849 .... 339
017950 .... 120	018432 .... 283	018890 .... 257	019412 .... 256	019850 .... 170
017955 .... 129	018439 .... 156	018900 .... 283	019425 .... 189	019855 .... 101
017957 ..... 91	018441 .... 258	018917 .... 251	019440 .... 517	019864 .... 238
017961 .... 389	018459 .... 118	018961 .... 520	019449 .... 386	019865 .... 238
017962 .... 216	018467 .... 143	018968 ..... 57	019470 .... 102	019889 .... 111
017996 .... 108	018468 .... 101	018996 .... 239	019471 .... 113	019927 .... 234
017997 .... 110	018470 ..... 63	018999 .... 108	019477 .... 118	019929 .... 104
018031 .... 431	018480 .... 257	019034 .... 144	019496 .... 512	019930 .... 100
018039 .... 441	018495 .... 507	019036 .... 147	019519 .... 193	019932 .... 210
018061 ..... 19	018524 .... 278	019038 .... 112	019543 .... 366	019933 .... 281
018078 ..... 93	018551 .... 100	019044 .... 149	019550 .... 146	019936 .... 256
018092 .... 177	018556 .... 323	019059 .... 145	019555 .... 451	019950 .... 285
018099 .... 116	018559 .... 235	019062 .... 150	019570 .... 259	020001 .... 113
018103 .... 509	018563 .... 535	019069 .... 481	019579 .... 210	020007 .... 491
018141 .... 117	018572 .... 511	019081 .... 121	019584 .... 105	020015 .... 170
018151 ..... 96	018593 .... 143	019082 ..... 86	019599 .... 166	020016 .... 232
018172 ..... 86	018627 .... 112	019103 ..... 87	019605 .... 131	020039 .... 332
018184 .... 374	018631 ..... 89	019109 ..... 89	019613 .... 284	020040 .... 323
018186 .... 506	018636 .... 510	019141 .... 239	019627 .... 213	020083 .... 160
018187 .... 197	018639 .... 103	019145 .... 506	019642 ..... 95	020085 .... 250
018192 .... 101	018681 .... 285	019148 .... 195	019644 .... 124	020088 .... 246
018202 .... 128	018689 .... 353	019150 .... 253	019647 .... 246	020089 .... 106
018208 .... 323	018690 ..... 95	019151 .... 251	019649 .... 246	020115 ..... 89
018210 ..... 95	018692 .... 530	019152 .... 253	019659 ..... 97	020121 .... 252
018265 .... 221	018699 .... 128	019155 .... 104	019666 .... 334	020199 .... 100
018271 .... 371	018700 .... 129	019156 .... 146	019667 ..... 19	020215 .... 443
018279 .... 145	018701 .... 339	019185 .... 484	019670 .... 258	020252 .... 109
018309 .... 129	018710 .... 105	019187 .... 239	019677 .... 105	020266 ..... 99

# PART NUMBER INDEX

020276 ....163	020862 ....268	052495 ....105	053189 ....452	054116 ....181
020284 ..... 91	020879 ....500	052498 ....450	053192 ....451	054136 ....185
020287 ....145	020896 ....113	052515 ....514	053241 ....530	054168 ....218
020295 ....159	038848 ....430	052534 ....367	053245 ....532	054170 ....127
020305 ....532	038850 ....361	052540 ....181	053296 ....451	054177 ....164
020306 ..... 95	038932 ....428	052544 ....180	053313 ....477	054178 ....211
020330 ....283	038935 ....432	052607 ....413	053328 ....362	054179 ....233
020349 ....124	038939 ....430	052652 ....184	053329 ....363	054207 ....530
020403 ....125	051510 ....361	052655 ....506	053362 ....449	054218 ....531
020434 ....253	051627 ....362	052664 ....102	053368 ....322	054219 ....531
020458 ..... 54	051811 ....371	052675 ....515	053409 ....531	054220 ....530
020461 ....267	051832 ....514	052679 ....100	053460 ....447	054253 ....132
020463 ....267	051833 ....515	052680 ....100	053479 ....126	054275 ....453
020478 ....531	051835 ....515	052681 ....106	053490 ....127	054283 ....131
020481 ....485	051836 ....514	052682 ....105	053510 ....363	054286 ....241
020483 ..... 90	051848 ....365	052683 ..... 85	053535 ....474	054308 ....186
020519 ....147	051856 ....515	052684 ..... 85	053543 ....532	054338 ....515
020520 ....121	051857 ....515	052685 ..... 87	053544 ....531	054339 ....515
020539 ....107	051858 ....515	052686 ..... 87	053748 ....532	054340 ....514
020568 ....253	051859 ....514	052687 ..... 90	053749 ....533	054353 ....130
020581 ....259	051955 ....185	052688 ..... 90	053760 ....280	054358 ....281
020586 ....510	051963 ....184	052690 ..... 91	053810 ..... 93	054361 ....210
020596 ....431	051964 ....184	052709 ....399	053833 ....185	054364 ....403
020597 ....109	052018 ....525	052835 ....500	053842 ..... 91	054404 ....184
020627 ....270	052047 ....365	052863 ....152	053845 ....162	054436 ....184
020628 ..... 57	052141 ....412	052875 ....452	053856 ....423	054444 ....514
020644 ....413	052142 ....413	052889 ....454	053856 ....424	054451 ....211
020654 ..... 91	052145 ....449	052921 ....514	053862 ....395	054488 ....213
020700 ....109	052202 ....528	052998 ....396	053873 ....450	054489 ....233
020704 ....253	052225 ....364	053017 ....528	053899 ....192	054500 ....185
020714 ....167	052233 ....514	053041 ....531	053901 ....186	054506 ....181
020715 ....168	052244 ....185	053054 ....454	053934 ....186	054532 ....528
020757 ....285	052245 ....185	053065 ....507	053976 ....397	054548 ....365
020758 ....460	052262 ..... 90	053068 ....452	053984 ....421	054554 ....421
020806 ....147	052400 ....525	053075 ....453	053984 ....422	054554 ....422
020817 ....459	052429 ....209	053121 ..... 87	054025 ....532	054631 ....185
020822 ..... 97	052466 ....184	053142 ....365	054026 ....532	054658 ....421
020829 ....216	052482 ....396	053164 ....123	054030 ....530	054658 ....422
020848 ....534	052483 ..... 86	053174 ....123	054044 ....474	054659 ....421
020850 ....214	052494 ..... 97	053188 ....452	054085 ....127	054659 ....422

# PART NUMBER INDEX

054712 ....361	055286 ....132	055777 ....332	056592 ....486	057656 ....157
054721 ....182	055289 ....227	055791 ....414	056654 ....144	057669 ....405
054752 ....281	055293 ....155	055794 ....176	056663 ....272	057788 ....207
054753 ....131	055297 ....193	055819 ....476	056678 ....331	057790 ....163
054771 ....233	055310 ....486	055863 ....176	056691 ....338	060202 ....285
054802 ....184	055312 ....432	055868 ....213	056698 ....338	060637 ....312
054832 ....520	055317 ....441	055950 ....262	056750 ....447	060643 ....287
054836 ....475	055351 ....322	055961 ....210	056752 ....521	060648 ....295
054840 ....530	055359 ....213	055962 ....147	056762 ....422	060649 ....295
054869 ....211	055363 ....168	055967 ....179	056763 ....422	060657 ....289
054910 ....363	055367 ....120	055969 ....536	056864 ....274	060662 ....305
054916 ....361	055380 ....193	055973 ....486	056868 ....345	060677 ....295
054923 ....480	055390 ....171	055975 ....487	056870 ....167	060678 ....292
054928 ....379	055404 ....431	055995 ....495	056873 ....447	060682 ....298
054947 ....515	055438 ....428	055999 ....165	056886 ....451	060686 ....302
054962 ....521	055439 ....431	056061 ....156	056969 ....264	060687 ....305
054983 ....279	055445 ....532	056080 ....213	056974 ....235	060696 ....292
055075 ....206	055450 ....225	056081 ....167	056975 ....239	060698 ..... 33
055083 ....232	055460 ....169	056095 ....155	056978 ....480	060710 ....297
055084 ....237	055473 ....130	056098 ....144	056998 ....229	060722 ....290
055096 ....188	055478 ..... 63	056150 ....345	057053 ....143	060724 ....309
055111 ....480	055481 ....402	056151 ....338	057062 ....144	060728 ....289
055127 ....101	055493 ....279	056157 ....131	057089 ....157	060729 ....303
055128 ....101	055504 ....441	056171 ....507	057174 ....206	060747 ....286
055129 ..... 86	055528 ....420	056173 ....212	057177 ....397	060758 ....306
055130 ..... 86	055529 ....420	056174 ....526	057182 ..... 67	060764 ....306
055132 ..... 90	055543 ....479	056184 ....116	057193 ....396	060766 ....289
055133 ..... 92	055571 ....421	056251 ....536	057255 ....222	060787 ..... 37
055134 ..... 92	055571 ....422	056256 ....486	057256 ....146	060808 ....288
055154 ....144	055574 ....193	056299 ..... 24	057258 ....157	060812 ....328
055162 ....404	055591 ....207	056350 ..... 19	057273 ....389	060814 ....298
055169 ....207	055639 ....481	056352 ....507	057285 ....395	060824 ....289
055173 ....215	055643 ....531	056369 ....352	057293 ....207	060868 ....312
055178 ....322	055684 ....117	056373 ....157	057372 ....420	060869 ....326
055213 ....431	055748 ....441	056396 ....521	057389 ....171	060881 ....288
055216 ....185	055749 ....445	056397 ....238	057450 ....415	060931 ..... 48
055259 ....130	055752 ....237	056462 ..... 26	057488 ....155	060942 ....292
055268 ....147	055754 ....120	056490 ....495	057581 ....350	060945 ....312
055272 ....156	055766 ....206	056563 ....117	057597 ....345	060953 ....414
055273 ....157	055776 ....279	056573 ....226	057598 ..... 66	060988 ..... 84

# PART NUMBER INDEX

061000 ....300	061960 .....41	081098 ....296	100078 ....301	100574 ....313
061012 ....300	062268 ....412	081119 ....297	100096 ....294	100582 ....291
061029 ....302	062314 ....413	081286 ....104	100099 ....297	100593 ....326
061037 .....38	063184 ....193	081319 ....131	100101 ....315	100605 ....311
061073 ....306	063268 ....146	081401 ....100	100107 ....309	100606 ....135
061075 ....288	063274 ....145	081425 ....303	100121 ....310	100607 ....317
061110 ....414	063277 ....412	081444 ....117	100149 ....299	100609 ....294
061125 .....39	063291 ....146	081482 ....232	100152 ....317	100619 ....308
061145 ....308	063350 ....143	081626 ....287	100167 ....141	100632 ....135
061157 ....306	063556 ....225	081732 ....286	100177 ....299	100634 ....312
061163 ....203	063571 ....145	081751 ....286	100181 ....320	100637 ....291
061164 .....12	063591 ....143	081760 ....298	100187 ....328	100645 ....321
061167 ....288	063863 ....414	081807 .....54	100192 ....312	100646 ....319
061169 .....38	064060 ....416	081827 .....14	100210 ....310	100655 ....318
061189 ....282	064156 ....147	081902 ....290	100245 ....301	100667 ....176
061240 ....136	064166 ....413	082047 .....97	100252 ....305	100673 ....293
061290 ....300	064262 ....192	082081 .....54	100350 ....319	100675 ....288
061327 ....317	064266 ....145	082168 ....104	100358 ....291	100676 ....312
061395 ....135	064298 ....192	082200 ....339	100363 ....301	100679 ....137
061408 ....297	064299 ....146	082264 ....221	100367 ....287	100680 ....141
061421 ....327	064569 ....193	082308 ....336	100371 ....297	100681 ....330
061483 ....156	064570 ....143	082319 .....41	100388 ....288	100731 ....315
061540 ....204	064575 .....14	082359 ....344	100392 ....307	100735 ....141
061573 ....201	064867 ....192	082497 ....337	100398 ....317	100782 ....294
061585 .....95	064894 ....145	082501 ....293	100401 ....317	100786 ....291
061632 ....304	064967 ....225	082504 ....255	100405 ....135	102014 ....484
061639 ....326	065169 ....207	082505 ....255	100415 ....314	102019 ....479
061649 ....298	070042 ....167	082506 ....255	100425 ....313	102023 ....483
061665 ....136	070110 ....217	082513 ....289	100427 ....309	102026 ....497
061701 ....326	070195 ....417	082580 ....251	100448 ....309	104009 ....380
061712 ....414	070366 ....180	082651 .....11	100450 ....312	104012 ....402
061777 ....311	070367 ....180	082652 .....11	100457 ....308	104022 ....374
061781 ....289	079055 ....451	082653 .....9	100471 ....298	104025 ....378
061807 ....337	080445 ....289	082664 ....391	100484 ....140	106097 ....144
061828 ....301	080499 ....295	082687 ....478	100494 ....290	106122 ....143
061858 ....292	080753 .....85	100042 ....293	100532 ....138	106128 .....58
061881 ....135	080905 ....286	100052 ....318	100537 ....139	108011 .....84
061888 ....534	081005 ....289	100054 ....303	100542 ....141	108053 ....152
061889 ....534	081083 ....288	100063 ....291	100556 ....328	108084 ....120
061926 .....94	081085 ....294	100076 ....301	100566 ....313	108099 .....55

# PART NUMBER INDEX

108112 ..... 59	114153 .... 355	130288 .... 475	132623 .... 455	137833 .... 491
108115 ..... 74	117042 .... 339	130330 .... 436	132644 .... 433	137835 .... 438
108119 .... 215	128222 .... 459	130341 .... 402	132681 .... 379	137837 .... 482
108120 ..... 55	128238 .... 353	130470 ..... 99	132716 .... 421	137850 .... 362
108122 .... 128	128239 .... 445	130562 .... 435	132716 .... 422	137853 ..... 88
108124 ..... 56	128240 .... 441	130586 .... 234	132762 .... 287	137865 .... 483
108125 .... 266	128256 .... 487	130744 .... 468	132768 .... 346	137893 .... 492
108130 .... 118	128261 .... 157	130793 .... 475	132999 .... 440	137920 .... 519
108135 .... 266	128359 .... 117	130910 .... 472	133001 .... 445	137940 .... 493
108155 .... 233	128383 .... 455	130928 .... 423	133059 .... 192	137957 .... 373
108162 .... 117	128415 .... 250	130928 .... 424	135030 ..... 32	137961 .... 492
108179 .... 150	128467 .... 237	131059 ..... 40	135063 .... 300	137991 .... 380
108183 ..... 61	128564 .... 123	131073 .... 461	135201 .... 381	137997 .... 490
108192 ..... 52	128565 .... 198	131102 .... 189	135205 .... 380	138002 .... 380
108196 ..... 74	128566 .... 230	131217 .... 279	135208 .... 379	138020 .... 475
108197 .... 116	128609 .... 467	131283 ..... 37	135216 .... 490	138021 .... 492
108201 ..... 58	128688 .... 430	131292 .... 525	135240 ..... 52	138022 .... 475
108220 ..... 66	128689 .... 430	131298 .... 180	135257 .... 380	138027 .... 491
108253 ..... 60	128746 .... 354	131413 .... 460	135454 .... 491	138031 .... 492
108319 ..... 68	128949 .... 435	131421 .... 360	136890 .... 362	138040 .... 492
108409 ..... 27	128954 .... 415	131424 .... 435	136895 .... 363	138045 .... 492
108412 .... 131	129079 .... 507	131459 .... 436	136901 .... 366	138048 .... 481
108420 ..... 56	129081 .... 428	131473 .... 428	136938 .... 360	138055 .... 480
108421 .... 210	129106 .... 325	131474 .... 436	136943 .... 363	138056 .... 479
108431 .... 164	129120 .... 404	131557 .... 271	136964 .... 381	138060 .... 492
108445 .... 170	129226 .... 434	131713 .... 461	136994 .... 381	138063 .... 367
108447 .... 170	129228 .... 210	131833 .... 346	137437 .... 518	138065 .... 438
108456 .... 272	129314 .... 439	131840 .... 396	137549 .... 362	138072 .... 493
108519 .... 196	129458 .... 475	131905 .... 429	137603 ..... 93	138079 .... 491
110013 .... 279	129470 .... 296	131906 .... 434	137636 .... 379	138081 .... 366
110015 .... 331	129597 .... 199	131991 .... 290	137669 .... 382	138085 .... 474
110016 .... 284	129668 .... 158	132006 .... 158	137706 .... 380	138272 .... 477
110061 .... 283	129754 .... 429	132033 .... 122	137710 .... 379	138273 .... 478
112121 .... 403	129755 .... 246	132068 ..... 94	137719 .... 379	138276 .... 474
114015 .... 339	129763 .... 298	132070 .... 164	137727 .... 438	138280 .... 480
114022 .... 339	130037 .... 428	132096 .... 155	137749 .... 438	138289 .... 478
114048 .... 340	130149 .... 325	132127 .... 322	137770 .... 380	138330 .... 478
114081 .... 341	130204 ..... 62	132140 .... 399	137777 .... 480	138331 .... 474
114082 .... 341	130243 .... 363	132351 .... 385	137789 .... 377	138345 .... 477
114141 .... 342	130270 .... 396	132429 .... 394	137803 .... 493	138358 .... 499

# PART NUMBER INDEX

138360 ....499	151717 ....363	152144 ....403	152744 ....464	164177 ....259
138381 ....499	151732 ....515	152153 ....394	152745 ....455	164178 ....256
138646 ....520	151744 ....477	152157 ....127	152751 ....447	164179 ..... 72
138647 ....520	151769 ....519	152158 ....127	152759 ....417	164274 ..... 70
138657 ....519	151771 ....377	152192 ....132	152762 ....486	164321 ....350
138697 ....520	151778 ....388	152242 ....299	152774 ....225	164322 ....350
138851 ....500	151784 ....376	152252 ....391	152775 ....233	164432 ....199
138853 ....500	151793 ....484	152259 ....412	152780 ....496	164440 ..... 66
139086 ....472	151799 ....388	152263 ....401	152803 ....375	164448 ..... 18
140648 ....520	151812 ....377	152277 ....395	152830 ....416	164449 ....331
140702 ....490	151815 ....371	152283 ....394	152836 ....418	164452 ..... 57
151041 ....361	151816 ....482	152296 ....393	152837 ....497	164453 ..... 57
151104 ....510	151820 ....472	152304 ....397	152841 ....211	164459 ..... 27
151113 ....484	151827 ....479	152322 ....171	152845 ....192	164460 ..... 18
151114 ....485	151838 ....476	152326 ....304	152846 ....383	164465 ..... 54
151126 ....361	151839 ..... 90	152376 ....453	152847 ....324	164473 ..... 66
151150 ....484	151853 ....361	152377 ....449	152858 ....497	164682 ....332
151165 ....479	151854 ....476	152378 ....452	155050 ....488	164731 ....170
151177 ..... 97	151857 ....516	152444 ....392	155052 ....387	164737 ....234
151178 ....485	151863 ....370	152483 ....461	155060 ....393	164740 ....212
151407 ....513	151867 ....182	152488 ....166	155067 ....135	164742 ....331
151435 ....101	151888 ....376	152500 ....401	155068 ....393	164743 ....279
151455 ....386	151896 ....376	152507 ....447	155069 ....391	164745 ....124
151465 ....521	151898 ....377	152522 ....451	155090 ....193	168575 ....383
151470 ....366	151900 ....386	152543 ....506	155132 ....384	168750 ..... 36
151484 ....441	151902 ....361	152545 ....449	155153 ....525	168752 ..... 38
151485 ....439	151903 ..... 53	152549 ....463	155167 ....385	168775 ..... 41
151497 ....521	151904 ..... 53	152556 ....464	155175 ....489	168781 ..... 35
151499 ....429	151905 ....369	152596 ....247	155179 ..... 37	168782 ..... 37
151514 ....483	151906 ....369	152604 ....448	155185 ..... 36	168791 ....286
151516 ....521	151917 ....376	152605 ....393	155187 ....316	168796 ..... 33
151525 ....223	151918 ....387	152608 ....496	155191 ..... 33	168797 ..... 34
151556 ....365	151921 ....366	152620 ....384	155196 ....295	168803 ..... 35
151566 ....363	151924 ....516	152651 ....454	155197 ....141	168804 ..... 35
151572 ....386	152002 ....452	152694 ....389	155204 ....136	168809 ..... 37
151588 ....480	152004 ....401	152707 ....461	161701 ....124	168812 ..... 39
151628 ....171	152024 ....497	152716 ....401	163371 ....400	168815 ....302
151658 ....482	152032 ....313	152719 ....384	163682 ....131	168822 ..... 35
151660 ....479	152038 ....412	152730 ....461	163904 ....398	168823 ..... 36
151693 ....221	152054 ....463	152732 ....226	163953 ....258	168824 ..... 37

# PART NUMBER INDEX

168832 ....292	175179 ..... 19	200667 ....360	201450 ..... 11	201933 ....287
168846 ..... 72	175180 ....415	200717 ....324	201469 ....423	201936 ....141
168852 ....293	175181 ..... 55	200722 ....337	201469 ....424	201988 ....307
168869 ..... 37	175182 ..... 58	200724 ....523	201481 ....385	202005 ....123
168877 ..... 39	175183 ..... 58	200796 ....118	201485 ....370	202090 ....347
168902 ..... 72	175186 ..... 57	200798 ....451	201513 ....237	202092 ....339
168914 ....305	175207 ..... 27	200812 ....455	201516 ....159	202101 ....431
168920 ....135	190012 ....290	200825 ....375	201517 ....298	202105 ....429
168963 ....297	190014 ....203	200862 ....391	201519 ....171	202231 ....374
168966 ....415	190016 ....313	200874 ....494	201548 ....423	202333 ....528
175000 ....323	190023 ....265	200881 ....294	201548 ....424	202339 ....279
175026 ..... 59	190027 ....316	200883 ....116	201581 ..... 71	202409 ....437
175027 ..... 55	190028 ..... 74	200920 ....158	201586 ....280	202426 ....365
175028 ....340	190037 ....291	200932 ....202	201593 ....304	202460 ....362
175031 ..... 55	190041 ..... 19	200953 ....120	201594 ....304	202461 ....159
175033 ....340	190042 ..... 11	200975 ....390	201614 ..... 26	202493 ....414
175039 ....506	200014 ..... 16	200980 ....523	201615 ..... 55	202498 ....346
175042 ..... 74	200020 ....294	201011 ....377	201621 ....177	202514 ....432
175043 ....115	200023 ....319	201054 ....444	201633 ....338	202515 ....433
175046 ....496	200031 ..... 57	201127 ....103	201634 ....338	202525 ....189
175047 ....400	200083 ....230	201128 ....530	201635 ..... 72	202527 ....428
175049 ....390	200127 ....287	201129 ....532	201641 ....445	202587 ..... 28
175056 ..... 58	200139 ....521	201134 ....486	201644 ....450	202835 ....531
175057 ..... 16	200158 ....526	201141 ....390	201662 ..... 61	202926 ....112
175062 ....115	200256 ..... 74	201159 ....158	201669 ..... 76	203074 ....113
175064 ....122	200258 ....403	201164 ....307	201672 ....527	203075 ....293
175069 ....413	200268 ....502	201169 ....478	201673 ....462	203081 ..... 37
175072 ....257	200277 ....318	201170 ....211	201698 ....401	203172 ....306
175082 ....246	200335 ....190	201229 ..... 94	201727 ....338	203230 ....132
175084 ..... 27	200337 ..... 89	201238 ....454	201728 ....338	203245 ....491
175085 ....216	200355 ..... 87	201273 ..... 58	201755 ....455	203302 ....531
175086 ....450	200395 ....460	201308 ....222	201756 ....455	203420 ....109
175135 ....496	200417 ....212	201335 ..... 26	201793 ....416	203449 ..... 27
175137 ..... 55	200419 ....283	201336 ..... 58	201794 ....214	203524 ....139
175148 ..... 58	200470 ..... 75	201337 ..... 66	201797 ....459	203591 ....364
175149 ..... 19	200520 ....441	201338 ..... 66	201836 ..... 18	203758 ....436
175152 ....497	200565 ....150	201340 ..... 58	201850 ....129	203797 ....482
175155 ....454	200581 ....502	201353 ....205	201860 ....303	203868 ....336
175158 ..... 74	200590 ....109	201390 ....155	201871 ....363	203882 ....476
175170 ..... 27	200598 ..... 47	201424 ....285	201925 ....344	203985 ....478

# PART NUMBER INDEX

204058 ....419	205317 ....393	207057 ....108	208361 ....390	210190 ....379
204077 ....176	205333 ....406	207073 ....429	208404 ....378	210249 ....288
204097 ..... 97	205420 ....433	207084 ....536	208596 ..... 43	210255 ....495
204249 ....495	205524 ....205	207109 ....386	208620 ....325	210288 ....511
204303 ....428	205572 ....405	207268 ....118	208694 ....346	210293 ....377
204304 ....430	205616 ....379	207290 ..... 8	208723 ....437	210295 ....395
204367 ....521	205626 ....131	207297 ....493	208725 ....392	210339 ....376
204416 ....282	205679 ..... 16	207320 ....389	208734 ....290	210340 ....155
204417 ....282	205717 ....278	207345 ....227	208738 ....534	210394 ....326
204418 ....282	205718 ....278	207436 ....293	208840 ....198	210439 ....213
204419 ....282	205728 ....402	207449 ....291	209013 ....436	210441 ....165
204441 ....166	205789 ....156	207543 ....436	209026 ....137	210457 ....483
204450 ....352	205827 ....408	207587 ....377	209040 ....444	210479 ....497
204483 ..... 88	205838 ....435	207593 ....470	209150 ....199	210512 ....176
204501 ....385	205865 ....101	207628 ....526	209166 ....491	210532 ....364
204657 ....170	205949 ....135	207629 ....376	209245 ....446	210544 ....131
204690 ....190	205950 ....134	207633 ....401	209310 ....344	210555 ....225
204744 ....394	205951 ....134	207655 ....211	209316 ....189	210558 ....440
204763 ....360	205978 ....477	207670 ....423	209423 ..... 54	210600 ..... 18
204786 ....471	206085 ....470	207670 ....424	209463 ....363	210662 ....400
204798 ....239	206087 ....361	207671 ....317	209626 ....417	210663 ....283
204803 ....429	206089 ....389	207713 ....408	209627 ....440	210666 ..... 15
204804 ....434	206113 ..... 86	207747 ....494	209634 ....181	210701 ....433
204819 ....487	206146 ..... 92	207759 ....297	209640 ....470	210752 ....433
204898 ....295	206152 ....384	207846 ....263	209710 ....351	210753 ....433
204899 ....353	206177 ....136	207975 ....319	209842 ....474	210754 ....433
204974 ....401	206208 ....201	208006 ....401	209843 ....193	210773 ....315
205027 ....109	206294 ....459	208025 ..... 16	209873 ....201	210807 ....327
205048 ....494	206306 ....315	208032 ....532	209874 ....435	210975 ....414
205070 ....196	206444 ....435	208075 ....180	209891 ....379	211061 ....308
205076 ....391	206476 ....281	208106 ....308	209895 ....424	211117 ....138
205152 ....432	206528 ....468	208175 ....174	209896 ....425	211125 ....371
205156 ....157	206532 ....307	208180 ....234	209898 ....491	211142 ....239
205230 ....413	206585 ....129	208223 ....476	210039 ....195	211202 ....132
205246 ..... 15	206667 ....345	208227 ....121	210041 ....392	211231 ....213
205255 ....101	206761 ....446	208244 ....478	210049 ..... 9	211266 ....382
205257 ....379	206902 ....157	208258 ....405	210101 ....350	211284 ....336
205279 ....524	206941 ....166	208274 ....405	210142 ....472	211314 ....119
205300 ....399	206960 ....474	208336 ....229	210152 ..... 42	211316 ....482
205304 ....398	206987 ....402	208360 ....415	210164 ....448	211318 ....344

# PART NUMBER INDEX

211320 ..... 66	212224 .... 312	213231 .... 201	214253 ..... 49	215130 .... 328
211321 ..... 66	212226 .... 201	213254 ..... 18	214278 .... 435	215149 ..... 55
211322 ..... 72	212271 .... 338	213295 .... 147	214279 .... 487	215150 ..... 61
211341 .... 166	212277 ..... 98	213297 .... 325	214281 .... 289	215156 .... 361
211353 .... 193	212298 .... 142	213354 .... 148	214290 .... 327	215299 .... 316
211381 ..... 56	212347 .... 155	213360 .... 340	214300 .... 321	215331 .... 463
211383 .... 340	212423 .... 405	213363 .... 340	214305 ..... 41	215348 .... 168
211384 .... 340	212461 ..... 47	213364 .... 458	214324 .... 439	215371 .... 120
211439 .... 481	212475 .... 407	213453 .... 283	214356 .... 425	215412 .... 316
211473 .... 303	212482 .... 351	213502 .... 327	214358 ..... 89	215475 .... 306
211523 ..... 96	212564 .... 372	213504 .... 431	214383 ..... 18	215477 .... 460
211525 .... 299	212572 .... 115	213505 .... 431	214384 .... 141	215479 .... 242
211535 ..... 40	212576 .... 387	213539 .... 167	214389 .... 496	215481 .... 429
211536 .... 293	212630 .... 494	213544 .... 371	214405 ..... 21	215633 ..... 20
211563 .... 111	212675 .... 375	213555 .... 450	214507 .... 371	215721 .... 262
211640 ..... 54	212768 .... 390	213556 .... 486	214548 .... 496	215723 ..... 29
211665 .... 289	212794 ..... 62	213591 .... 490	214642 .... 134	215723 ..... 40
211670 .... 488	212814 ..... 12	213614 .... 401	214656 ..... 59	215817 .... 450
211677 .... 230	212825 .... 512	213644 .... 332	214658 ..... 27	215868 .... 332
211692 .... 481	212883 .... 141	213657 .... 148	214659 ..... 24	215943 .... 301
211715 ..... 73	212895 .... 409	213660 ..... 36	214671 .... 307	215963 .... 287
211723 ..... 92	212922 .... 345	213674 .... 223	214672 .... 460	215969 .... 292
211729 .... 537	212943 .... 415	213707 .... 210	214703 ..... 54	215995 .... 429
211812 .... 234	212945 .... 487	213762 .... 462	214843 .... 341	215997 .... 512
211844 .... 406	212955 .... 503	213763 .... 459	214847 .... 398	216067 .... 247
211887 ..... 48	212996 .... 390	213797 .... 440	214885 .... 434	216083 .... 389
211932 .... 458	213001 .... 195	213922 .... 142	214894 .... 378	216263 .... 147
211935 .... 492	213014 .... 238	213933 .... 435	214907 .... 123	216264 .... 310
211960 .... 352	213019 .... 510	213942 .... 261	214947 .... 495	216281 .... 493
211961 .... 352	213020 ..... 71	213966 .... 507	214948 ..... 15	216285 .... 477
211987 .... 325	213021 .... 240	214007 ..... 57	214993 .... 175	216335 .... 203
212065 .... 262	213054 .... 366	214055 .... 303	215002 ..... 36	216336 ..... 41
212068 .... 180	213089 ..... 35	214074 ..... 40	215006 .... 460	216347 .... 202
212106 .... 150	213111 ..... 33	214104 ..... 89	215074 .... 364	216386 .... 328
212120 .... 311	213123 .... 147	214115 .... 461	215081 .... 345	216415 .... 458
212145 .... 287	213160 .... 137	214172 .... 446	215093 .... 165	216486 ..... 48
212147 .... 399	213165 .... 430	214177 .... 372	215097 .... 159	216513 .... 287
212188 .... 345	213179 .... 362	214203 .... 396	215098 .... 124	216558 .... 316
212192 .... 152	213189 .... 425	214214 .... 353	215105 ..... 40	216631 .... 425
212223 .... 325	213219 .... 325	214247 .... 181	215125 .... 503	216632 .... 425

# PART NUMBER INDEX

216702 ....293	218802 ....347	219982 ....211	221354 ..... 36	222339 ..... 28
216740 ....207	218881 ....139	220003 ....430	221359 ....387	222360 ....101
216745 ....315	218882 ....341	220032 ....151	221360 ....387	222391 ....377
216746 ..... 35	218903 ....305	220131 ....256	221361 ....387	222398 ....181
216765 ....536	218913 ....430	220146 ....337	221367 ....199	222415 ....215
216766 ....318	218988 ....484	220162 ....204	221376 ....387	222466 ....400
216888 ....431	218991 ....535	220172 ....198	221432 ..... 41	222507 ....292
216913 ....375	219021 ....350	220173 ..... 33	221464 ....383	222508 ....281
216914 ....375	219042 ....203	220190 ....402	221473 ....162	222509 ....305
216945 ....139	219131 ....519	220204 ....449	221525 ....295	222511 ....272
216956 ..... 18	219148 ....365	220221 ....229	221562 ....201	222528 ....109
216973 ....294	219149 ....493	220296 ..... 61	221564 ....369	222561 ....495
216987 ....429	219171 ....374	220366 ....310	221565 ..... 88	222583 ..... 29
216988 ....432	219187 ....399	220411 ....308	221576 ....300	222583 ..... 39
217010 ..... 40	219209 ....383	220435 ....511	221582 ....200	222594 ....365
217032 ..... 96	219229 ....526	220452 ....313	221620 ....146	222606 ....211
217057 ..... 24	219294 ....262	220487 ....481	221628 ....497	222657 ....428
218024 ....236	219300 ....481	220496 ....158	221657 ....327	222685 ....519
218079 ....437	219416 ....305	220511 ....475	221692 ....416	222690 ....535
218080 ....435	219436 ....304	220630 ....364	221701 ....135	222744 ....103
218160 ....387	219489 ....313	220641 ..... 39	221711 ....377	222745 ....190
218222 ....525	219500 ....303	220737 ....534	221712 ....376	222778 ....216
218270 ....300	219570 ....168	220748 ....190	221751 ....448	222821 ..... 44
218276 ....332	219649 ....181	220850 ....476	221794 ....106	222881 ....200
218288 ....200	219654 ....458	221005 ....232	221845 ....378	222922 ..... 15
218325 ....111	219709 ....153	221025 ....350	221937 ..... 71	222927 ....416
218355 ....175	219710 ....380	221027 ....351	221956 ....305	222936 ..... 47
218386 ....307	219713 ....286	221029 ....351	221969 ....327	222943 ..... 21
218391 ..... 24	219715 ....477	221034 ....302	222007 ....367	222975 ....431
218413 ....369	219745 ..... 32	221035 ....182	222020 ....175	223009 ....370
218554 ..... 40	219784 ..... 16	221052 ....347	222021 ....474	223031 ....142
218584 ....153	219790 ....450	221078 ....371	222023 ....390	223043 ....417
218690 ..... 53	219791 ....166	221100 ....522	222029 ....295	223057 ..... 53
218701 ..... 59	219842 ....316	221114 ..... 33	222078 ....241	223087 ....315
218749 ....104	219853 ....395	221130 ....392	222107 ....392	223127 ....487
218786 ....260	219859 ....212	221137 ....441	222115 ....415	223195 ....229
218788 ....115	219866 ..... 34	221145 ..... 47	222280 ....123	223214 ....256
218795 ....134	219904 ....404	221240 ....300	222311 ....321	223268 ....535
218796 ....328	219956 ..... 23	221263 ....536	222316 ....404	223346 ..... 36
218797 ..... 20	219973 ....309	221320 ....116	222323 ....461	223349 ....119

# PART NUMBER INDEX

223352 ....164	224342 ....366	225567 ....321	226738 ....316	228310 ....360
223357 ....153	224351 ....376	225574 ..... 20	226765 ....136	228319 ....129
223360 ....414	224449 ....203	225656 ....241	226818 ....189	228333 ....345
223364 ....121	224476 ....156	225674 ....302	226976 ....329	228334 ....347
223367 ..... 99	224479 ....510	225698 ....314	227007 ....318	228349 ....477
223396 ....204	224509 ....434	225701 ....465	227131 ....393	228358 ....121
223421 ....408	224533 ....366	225723 ..... 36	227136 ..... 89	228413 ....370
223444 ....432	224558 ....181	225760 ....177	227146 ....313	228424 ....401
223448 ....119	224572 ....481	225767 ....433	227171 ....388	228504 ....391
223485 ....476	224615 ....398	225797 ....475	227190 ....275	228505 ....449
223499 ....121	224623 ....283	225831 ....123	227208 ....467	228510 ....461
223509 ....483	224699 ..... 15	225832 ....125	227210 ....206	228587 ....121
223547 ....350	224721 ..... 23	225833 ....198	227233 ....159	228594 ..... 90
223564 ....150	224746 ....196	225834 ....225	227235 ....136	228596 ....525
223607 ....393	224753 ....288	225851 ....204	227249 ....192	228602 ....494
223610 ....326	224867 ....259	225861 ....299	227265 ....432	228616 ....370
223710 ....110	224877 ....299	225925 ....308	227266 ....440	228619 ....314
223711 ....452	224888 ....139	225943 ....385	227292 ....200	228624 ....463
223712 ....238	224893 ....327	225945 ....392	227328 ....371	228628 ....311
223713 ....238	224902 ....258	225976 ....302	227376 ....181	228637 ....404
223714 ....131	224919 ....475	225979 ....387	227528 ....112	228667 ....115
223721 ....472	224933 ....220	226011 ....119	227654 ....295	228668 ....115
223732 ....481	224934 ....220	226017 ....398	227670 ....457	228672 ....393
223778 ..... 16	224999 ....394	226027 ....302	227671 ....399	228673 ....393
223811 ....118	225030 ....304	226077 ....148	227866 ..... 17	228677 ....307
223878 ....395	225038 ....323	226151 ....130	227874 ....513	228700 ....195
223896 ....459	225048 ..... 46	226158 ....520	227915 ....326	228701 ....353
223904 ....140	225050 ....226	226307 ..... 34	227976 ....486	228792 ....436
223925 ....446	225070 ....457	226313 ..... 47	228012 ....361	228876 ....367
224039 ....386	225071 ....458	226330 ....399	228013 ....196	228897 ....513
224042 ....196	225113 ....448	226336 ..... 39	228064 ..... 19	228905 ....508
224107 ....151	225152 ....224	226424 ....299	228083 ....360	228913 ....417
224153 ....174	225158 ....365	226492 ....409	228094 ..... 33	228926 ....447
224193 ....284	225172 ....308	226518 ....441	228110 ....138	229022 ....198
224254 ....199	225260 ....320	226536 ....374	228185 ....106	229031 ....301
224261 ....495	225261 ....312	226577 ....499	228187 ....106	229078 ....526
224262 ....272	225263 ....353	226578 ....414	228192 ....433	229128 ....494
224266 ....206	225330 ....181	226586 ..... 8	228290 ....319	229136 ....444
224282 ....483	225504 ....308	226615 ....451	228300 ..... 72	229184 ..... 94
224283 ....480	225563 ....157	226690 ....111	228304 ....484	229266 ....401

# PART NUMBER INDEX

229273 ....440	230577 ....345	231759 ....461	233006 ....403	233802 ....387
229285 ....221	230673 ....526	231975 ....399	233012 ....247	233811 ....170
229330 ....523	230713 ....310	232000 ....412	233016 ....124	233816 ....488
229413 ....304	230767 ....435	232111 ....392	233031 ....386	233851 ....111
229493 ....439	230771 ....269	232112 ....393	233038 ..... 14	233857 ....129
229494 ....445	230811 ....317	232199 ....311	233055 ....137	233875 ....111
229504 ....205	230853 .....26	232210 ....189	233071 ....144	233880 ....479
229563 ....458	230915 ....477	232220 ....174	233094 ....189	233904 ....356
229664 ....391	230920 ....477	232221 ....174	233095 ..... 20	233907 ....303
229693 ....334	230995 ....164	232253 ....483	233098 ....512	233989 ....325
229696 ....203	231003 ....155	232280 ....410	233109 ....495	234088 ....225
229703 ....394	231054 ....413	232302 ....165	233117 ....487	234096 ....468
229725 ....259	231092 ....521	232342 ....199	233174 ....437	234203 ....290
229727 ....318	231124 ....139	232394 ....317	233232 ....170	234245 ....301
229728 ....226	231127 ....201	232420 ....206	233284 ....399	234279 ....384
229796 ..... 10	231128 ....220	232459 ....374	233291 ..... 65	234299 ....309
229797 ..... 10	231129 ....282	232497 ....329	233300 ....462	234419 ..... 23
229805 ....387	231140 ..... 47	232498 ..... 12	233301 ....462	234637 ....501
229816 ....284	231163 ....482	232503 ....383	233316 ..... 37	234659 ....489
229992 ....521	231204 ....208	232555 ....171	233337 ....215	234723 ....327
230003 ....317	231239 ....423	232575 ....112	233358 ....147	234740 ....214
230010 ....512	231239 ....424	232609 ....186	233366 ....461	234744 ....214
230020 ....237	231265 ....318	232630 ....458	233379 ....490	234777 ....272
230022 ..... 41	231288 ....393	232654 ..... 39	233395 ....318	234822 ....482
230023 ....371	231300 ....479	232676 ....487	233421 ....462	234854 ....416
230118 ....166	231308 ....380	232677 ....370	233496 ....378	234889 ....351
230119 ....214	231310 ..... 73	232696 ....491	233525 ....423	235003 ....475
230164 ....351	231395 ....297	232698 ....291	233525 ....424	235144 ....258
230192 ....457	231420 ....299	232714 ..... 25	233589 ....482	235161 ..... 84
230241 ....213	231437 ....536	232746 ....203	233615 ..... 25	235163 ..... 39
230242 ....235	231439 ..... 19	232776 ....415	233656 ....451	235164 ....442
230248 ....468	231530 ....446	232777 ....392	233684 ....135	235174 ....344
230270 ....513	231571 ....472	232778 ....196	233696 ....292	235175 ....344
230277 ..... 26	231599 ....344	232875 ....490	233697 ....281	235176 ....310
230281 ....468	231623 ..... 43	232880 ....364	233699 ....301	235177 ....346
230338 ....256	231643 ....323	232916 ....339	233733 ..... 37	235178 ....346
230346 ..... 15	231653 ....400	232921 ....447	233736 ....217	235184 ....397
230347 ..... 23	231709 ....213	232979 ....259	233737 ....176	235186 ....300
230401 ....106	231711 ....215	232984 ....383	233747 ....348	235194 ....431
230551 ....369	231715 ....203	232989 ....234	233786 ....524	235196 ....238

# PART NUMBER INDEX

235198 ....134	235956 ....313	237415 ..... 30	238208 ....136	239474 ....202
235225 ..... 96	235990 ..... 88	237416 ....327	238248 ..... 89	239477 ....439
235227 ....437	236019 ....303	237446 ....449	238249 ....455	239480 ....439
235277 ..... 31	236090 ....148	237465 ....211	238251 ....455	239482 ....444
235326 ....214	236148 ....235	237520 ....255	238262 ....389	239484 ....444
235327 ....195	236155 ....315	237557 ....176	238350 ....454	239485 ....444
235353 ....167	236174 ....246	237626 ....287	238355 ....489	239525 ....199
235404 ....149	236229 ....304	237631 ..... 39	238392 ....226	239625 ....350
235407 ....202	236300 ....440	237632 ....306	238393 ....134	239687 .....515
235467 ..... 33	236331 ....534	237692 ....390	238463 ....352	239741 ....337
235470 ....329	236338 ....122	237804 ....482	238464 ....337	239829 ....328
235484 ....303	236432 ....203	237839 ....138	238621 ....226	239863 ....313
235498 ....398	236472 ....316	237840 ....215	238632 ....124	239886 ....233
235499 ....403	236473 ....298	237849 ....156	238656 ....281	239945 ....376
235545 ....239	236502 ....220	237854 ....113	238722 ....396	239956 ....309
235549 ....391	236536 ....214	237862 ....167	238723 ....372	240055 ....450
235551 ....497	236591 ....115	237865 ....448	238757 ..... 57	240056 ....452
235586 ....310	236615 ....425	237867 ....369	238759 ....103	240057 ....453
235587 ....212	236632 ....419	237875 ..... 12	238761 ....499	240072 ....134
235598 ..... 34	236644 ....462	237878 ..... 9	238803 ....303	240074 ....240
235624 ....185	236766 ....520	237879 ....165	238883 ....520	240075 ....240
235654 ..... 31	236799 ....137	237883 ....491	238895 ....291	240076 ....240
235764 ....140	236829 ....321	237890 ..... 47	238905 ..... 48	240077 ....240
235765 ..... 15	236843 ....121	237956 ....186	238906 ....304	240078 ....240
235767 ..... 23	236874 ....117	237970 ....215	238945 ..... 32	240106 ....296
235769 ..... 23	236952 ....344	238015 ....200	238958 ....307	240200 ....339
235770 ..... 16	237033 ..... 72	238017 ....463	238978 ....273	240205 ..... 61
235775 ..... 30	237048 ....292	238060 ..... 12	238996 ....178	240275 ..... 38
235776 ..... 30	237069 ....318	238061 ..... 9	238999 ....212	240318 ....402
235782 ....233	237127 ..... 63	238062 ..... 9	239025 ..... 20	240344 ....128
235802 ....165	237137 ..... 30	238064 ....461	239062 ....259	240363 ..... 31
235821 ..... 31	237142 ....112	238065 ....460	239074 ....235	240404 ....207
235824 ..... 30	237160 ....311	238092 ....216	239271 ....364	240412 ..... 61
235842 ..... 49	237176 ....446	238155 ....526	239286 ....279	240422 ..... 45
235843 ....286	237294 ....433	238156 ....526	239339 ....290	240496 ....247
235884 ....326	237332 ....150	238157 ....526	239340 ..... 24	240519 ..... 62
235918 ..... 31	237333 ..... 49	238169 ....258	239368 ....233	240520 ..... 61
235920 ..... 31	237394 ....371	238172 ....296	239384 ....368	240521 ..... 63
235922 ..... 31	237399 ....239	238194 ....462	239454 ....314	240522 ..... 63
235923 ..... 31	237414 ..... 31	238197 ....463	239464 ....346	240523 ..... 63

# PART NUMBER INDEX

240534 ....294	241494 ....165	242892 ....113	243728 ....215	244793 ....206
240542 ....503	241507 ....136	242917 .....24	243733 ....137	244868 ....375
240631 ....447	241521 ....352	242984 ....455	243744 ....183	244877 ....301
240632 ....456	241572 ....352	243049 ....455	243766 ....417	244884 ....347
240638 .....23	241573 ....434	243081 ....460	243833 .....72	244896 ....345
240639 .....23	241657 .....92	243111 ....413	243835 ....497	244897 ....232
240660 ....492	241658 ....315	243129 ....497	243851 ....296	244900 ....340
240664 ....425	241702 ....446	243143 ....379	243869 ....295	244901 ....340
240670 ....483	241710 ....343	243167 ....315	243987 ....281	244902 .....11
240711 .....65	241711 ....343	243217 ....495	244022 ....351	244911 .....40
240734 ....174	241724 ....139	243234 ....171	244026 ....193	244917 ....169
240745 .....12	241747 ....309	243239 .....31	244055 ....311	244964 ....165
240749 ....203	241783 ....138	243261 ....317	244070 ....396	244968 ....145
240797 ....500	241791 .....49	243268 ....327	244094 .....55	244971 .....42
240814 .....19	241792 .....59	243305 ....297	244096 ....142	244974 ....365
240849 ....311	241797 ....188	243337 .....28	244142 ....111	245001 ....233
240864 ....400	241820 .....32	243360 ....440	244248 ....287	245004 ....233
240878 ....313	241830 ....171	243367 ....383	244254 .....28	245017 .....38
240879 ....141	241968 ....302	243369 ....432	244281 .....88	245018 ....490
240946 ....138	241985 ....235	243437 ....490	244317 ....519	245030 ....234
240974 ....462	242075 ....235	243460 ....460	244318 ....470	245041 ....235
240999 ....327	242076 .....99	243501 ....430	244320 ....208	245075 ....390
241128 ....436	242108 ....305	243502 ....239	244346 ....119	245096 ....162
241184 ....293	242124 ....459	243508 ....455	244351 ....311	245136 ....200
241195 ....141	242142 ....102	243511 ....447	244361 ....217	245156 .....11
241203 ....525	242150 ....445	243512 ....456	244362 ....258	245177 ....107
241252 ....365	242159 ....507	243522 ....457	244500 ....488	245186 .....17
241258 ....339	242261 ....384	243547 ....374	244516 ....462	245214 ....172
241276 ....500	242289 .....40	243557 ....417	244523 ....305	245234 ....286
241288 ....360	242325 ....394	243560 ....142	244527 .....92	245292 ....470
241303 ....299	242398 ....139	243564 ....205	244575 ....300	245344 ....202
241326 ....343	242498 ....112	243610 ....487	244638 ....478	245388 .....91
241327 ....343	242531 .....19	243628 ....478	244691 ....244	245394 .....17
241339 ....298	242584 .....92	243653 ....214	244692 ....156	245549 ....347
241344 ....196	242606 ....454	243677 ....395	244724 ....315	245550 ....333
241350 ....242	242616 ....456	243695 .....48	244740 ....385	245561 ....435
241375 ....242	242621 ....168	243710 ....140	244779 ....470	245562 ....432
241381 ....464	242816 .....64	243715 ....204	244788 ....152	245563 ....434
241395 ....419	242849 ....353	243717 ....215	244789 ....121	245564 ....429
241491 ....140	242851 ....489	243721 .....41	244792 ....205	245596 ....378

# PART NUMBER INDEX

245612 ....176	246280 ....257	247325 ....374	248146 ....465	248827 ..... 35
245613 ....177	246294 ....228	247359 ....158	248151 ....347	248852 ....202
245616 ..... 48	246355 ....233	247360 ..... 20	248172 ....109	249027 ....185
245623 ....128	246370 ....207	247407 ....418	248178 ....166	249068 ....258
245626 ....306	246477 ....240	247416 ....454	248194 ..... 18	249107 ..... 34
245640 ..... 33	246481 ....436	247431 ..... 41	248200 ....148	249132 ..... 84
245658 ....289	246518 ....439	247503 ....281	248205 ....140	249151 ....264
245670 ....309	246553 ....497	247529 ....293	248206 ..... 38	249152 ....264
245696 ....429	246563 ....199	247531 ....165	248254 ....496	249155 ....270
245736 ....346	246564 ....451	247581 ....400	248270 ....371	249214 ....458
245737 ....349	246585 ....451	247657 ....294	248276 ..... 97	249219 ....235
245746 ....283	246588 ....310	247660 ....525	248287 ....297	249220 ....213
245816 ....459	246602 ....120	247661 ....411	248318 ..... 38	249248 ....134
245840 ....240	246620 ..... 84	247662 ....204	248360 ....317	249249 ....136
245892 ....112	246647 ....398	247672 ....138	248381 ....369	249339 ..... 31
245936 ....281	246656 ....296	247699 ....302	248385 ....383	249387 ....215
245948 ....243	246698 ..... 73	247739 ..... 39	248387 ....366	249393 ....199
245949 ....243	246710 ....281	247777 ....153	248389 ....375	249418 ..... 20
245952 ....332	246711 ....119	247818 ....347	248394 ....384	249526 ....202
245953 ....226	246801 ....404	247823 ....296	248396 ....375	249561 ....166
245954 ....323	246807 ....375	247834 ....495	248398 ....384	249567 ....282
245955 ....324	246808 ....378	247836 ....139	248415 ....391	249568 ....199
245962 ....205	246837 ....493	247853 ..... 87	248430 ....164	249569 ....165
245989 ....297	246840 ....306	247855 ....315	248431 ....280	249570 ....124
246004 ....212	246856 ....140	247857 ....194	248432 ....245	249571 ....279
246047 ....117	246936 ....142	247898 ....246	248433 ....278	249572 ....226
246048 ....116	246950 ....151	247899 ....246	248473 ..... 30	249573 ....323
246049 ....118	247001 ....140	247903 ....238	248478 ....296	249574 ....211
246050 ....121	247002 ....310	247919 ....137	248495 ..... 32	249575 ....282
246080 ..... 34	247025 ....377	247934 ....139	248578 ..... 20	249576 ....148
246098 ....200	247026 ....293	247978 ....314	248600 ....463	249577 ....148
246100 ....165	247033 ....385	248044 ....117	248610 ....498	249578 ....331
246105 ....346	247116 ....476	248063 ....148	248664 ....444	249579 ....234
246131 ....351	247134 ....464	248073 ..... 30	248669 ....514	249580 ....212
246174 ..... 30	247171 ....381	248107 ....311	248697 ....425	249619 ....309
246214 ..... 33	247208 ....397	248113 ..... 55	248743 ....262	249640 ..... 38
246255 ....439	247214 ....235	248116 ..... 16	248744 ....307	249713 ....440
246256 ....445	247278 ....128	248119 ....269	248750 ....105	249730 ....452
246257 ....158	247284 ....352	248124 ....296	248754 ..... 22	249867 ..... 63
246261 ..... 63	247295 ..... 43	248127 ..... 55	248825 ..... 34	249879 ....386

# PART NUMBER INDEX

250000 ....404	251914 ....198	255201 ....336	258977 ....129
250037 ..... 32	251920 ..... 13	255202 ....336	258981 ....158
250050 ..... 32	251948 ..... 35	255203 ....336	259089 ..... 15
250090 ..... 33	252225 ....301	255204 ....336	259383 ....295
250103 ....167	252248 ..... 61	255205 ..... 9	259434 ....141
250104 ....216	252270 ....384	255206 ..... 11	259463 ..... 41
250105 ....216	252337 ....117	255207 ..... 11	259464 ....314
250231 ....326	252474 ....239	255208 ..... 9	259546 ..... 48
250232 ..... 48	252510 ....211	255288 ..... 34	259753 ....125
250303 ....328	252533 ....343	255430 ....138	259865 ....128
250357 ..... 38	252765 ..... 32	255442 ....139	260293 ....201
250364 ....284	252806 ..... 69	255492 ..... 26	260500 ....307
250416 ....221	252836 ..... 74	255513 ....347	260508 ....314
250423 ....259	253008 ....305	255514 ....347	260869 ....291
250464 ....135	253009 ....314	255591 ....237	260870 ....203
250534 ....164	253112 ....216	255621 ....129	260905 ....433
250536 ....198	253158 ....441	255760 ....240	260957 ....202
250630 ....423	253159 ....441	255833 ..... 9	261111 ..... 35
250630 ....424	253202 ..... 32	255867 ..... 35	261432 ....328
250650 ....290	253360 ..... 39	255873 ....137	261691 ..... 62
250724 ....347	253400 ....171	255874 ....257	261735 ....128
250748 ....416	253516 ....140	255893 ....309	262253 ..... 20
250920 ....324	253573 ....284	255947 ....487	262349 ....311
250961 ....329	253749 ....291	256033 ....158	
250993 ....207	254137 ....156	256034 ....446	
251178 ..... 35	254207 ....182	256174 ..... 19	
251211 ....138	254300 ....307	256215 ....112	
251243 ..... 34	254325 ....314	256317 ....385	
251245 ..... 27	254445 ..... 36	256514 ....400	
251330 ....249	254642 ....299	256836 ....253	
251350 ....345	254744 ....108	256950 ..... 41	
251364 ....226	254924 ....199	257073 ....171	
251417 ....157	254941 ....161	257193 ....316	
251691 ..... 28	255158 ....221	257329 ....113	
251704 ..... 29	255175 ....200	257337 ....434	
251704 ..... 37	255177 ....171	257432 ....524	
251737 ....404	255197 ..... 53	258350 ....157	
251766 ....193	255198 ..... 52	258365 ..... 8	
251839 ....202	255199 ..... 52	258642 ..... 8	
251895 ....241	255200 ..... 53	258879 ....299	

# ALPHABETICAL PRODUCT INDEX

<b>AR PRODUCT ADAPTER</b> .....	530	Hole mount - keyhole .....	349
Edge mount .....	534	Hole mount - multiple holes .....	350
Edge mount - device mount - tab .....	535	Oblong hole mount .....	344
Edge mount - mounting with other elements .....	530	Rectangular hole mount .....	343
Hole mount - device mount - rectangular .....	537	Round hole mount .....	338
Round hole mount .....	536	Square hole mount .....	342
<b>BOLT</b> .....	501	Threaded stud mount .....	352
Hole mount .....	502	Tube mount .....	353
Surface mount .....	501	<b>COVERS &amp; PROTECTORS</b> .....	542
<b>BRACKETS</b> .....	538	<b>CUSTOM DEVELOPMENT &amp; MANUFACTURING EXPERTISE</b> .....	544
<b>CABLE CHANNELS</b> .....	540	<b>ELASTIC ANTI CREEPING RING</b> .....	428
<b>CABLE STRAP</b> .....	8	Round hole mount .....	428
1 Housing - blind round hole mount .....	13	Oblong hole mount .....	434
1 Housing - edge mount - above panel edge .....	11	<b>NON ELASTIC ANTI CREEPING RING</b> .....	438
1 Housing - edge mount - panel parallel .....	9	Edge mount .....	438
1 Housing - no attachment .....	8	Round hole mount .....	439
1 Housing - oblong hole mount .....	23	Square hole mount .....	442
1 Housing - oblong hole mount with off-set .....	25	Rectangular hole mount .....	443
1 Housing - round hole mount - anchor .....	15	Oblong hole mount .....	444
1 Housing - round hole mount - expanding pins .....	14	<b>NUT</b> .....	470
1 Housing - round hole mount - fir tree .....	18	Edge mount .....	474
1 Housing - square hole mount with off-set .....	22	Multiple screw impressions .....	471
1 Housing - threaded stud mount .....	26	Oblong hole mount .....	486
1 Housing - threaded stud mount with off-set .....	27	Rectangular hole mount - assembly .....	489
2 Housings - 1 strap & 1 tape-on .....	44	Rectangular hole mount - metal .....	490
2 Housings - 1 strap & 1 tube holder .....	30	Rectangular hole mount - plastic .....	494
2 Housings - 1 strap & 1 tube holder for corrugated hose .....	29	Stud mount .....	499
2 Housings - 2 straps .....	43	Surface mount .....	472
2 Housings - oblong hole mount .....	46	Surface mount - punching in .....	473
2 Housings - round hole mount .....	45	<b>PANEL CLIP - S-CLIP</b> .....	364
2 Housings - threaded stud mount .....	47	<b>PANEL CLIP - SNAP ON CLIP</b> .....	369
3 Housings .....	48	<b>PANEL CLIP - U-CLIP</b> .....	360
<b>CLOSURE BUMPERS</b> .....	545	<b>PANEL CLIP - W-CLIP</b> .....	368
<b>CONNECTOR HOLDER</b> .....	336	<b>PANEL PIN IN TWO OR MORE PIECES</b> .....	420
Cavity mount - blind hole - oblong .....	354	Rectangular holes .....	423
Cavity mount - threaded hole .....	355	Round hole - rectangular hole .....	421
Cavity mount - t-shape cavity .....	356		
Edge mount .....	336		

# ALPHABETICAL PRODUCT INDEX

Round hole - square hole .....	420	Rectangular hole mount - rib - above.....	382
<b>PANEL PIN - PUSH-PIN .....</b>	<b>395</b>	Round hole mount .....	373
Oblong hole mount .....	411	<b>PUSH-ON STUD RETAINER .....</b>	<b>508</b>
Oblong hole mount - 1 panel .....	410	Rectangular stud mount.....	523
Rectangular hole mount - 1 panel.....	408	Smooth stud mount .....	508
Rectangular hole mount - 2 panels.....	409	Stud mount .....	517
Round hole mount - 2 panels .....	404	Threaded stud mount .....	519
Round hole mount - anchor.....	395	<b>SCREW HOLDING CLIP .....</b>	<b>503</b>
Round hole mount - fir tree .....	398	<b>SPACER.....</b>	<b>278</b>
Round oblong hole mount.....	407	2 Housings - tube mount .....	278
Round rectangular hole mount .....	406	2 Housings - tube mount - swiveling .....	286
<b>PANEL PIN - PUSH-RIVET.....</b>	<b>412</b>	<b>TAPE ON.....</b>	<b>53</b>
Rectangular hole mount .....	418	1 Housing - cavity mount - blind round hole.....	69
Round hole mount .....	412	1 Housing - cavity mount - threaded hole .....	70
<b>PANEL PIN - QUARTER TURN AND OTHERS .....</b>	<b>419</b>	1 Housing - edge mount - panel parallel .....	53
Oblong hole mount - 2 panels .....	419	1 Housing - mounting with other elements	
<b>PLUG AND GROMMET - GROMMET.....</b>	<b>446</b>	with off-set - round.....	71
Oblong hole mount .....	448	1 Housing - oblong hole mount .....	61
Round hole mount .....	446	1 Housing - oblong hole mount with off-set .....	63
<b>PLUG AND GROMMET - PLUG .....</b>	<b>449</b>	1 Housing - rectangular hole mount .....	60
Oblong hole mount .....	459	1 Housing - round hole mount .....	54
Rectangular hole mount.....	458	1 Housing - round hole mount with off-set .....	57
Round hole mount .....	449	1 Housing - round stud mount with off-set .....	65
Round hole mount - anchor.....	454	1 Housing - threaded stud mount with off-set .....	66
Square hole mount .....	457	1 Housing - t-shape stud mount with off-set .....	68
<b>PLUG AND GROMMET - PROTECTOR BOLT HEAD .....</b>	<b>464</b>	2 Housings .....	72
Mounting with other elements.....	464	2 Housings - oblong hole mount.....	75
Round stud mount .....	465	2 Housings - round hole mount .....	74
Stud mount .....	466	3 Housings - round hole mount .....	76
Threaded stud mount .....	467	<b>TRANSLATION LOCK AND ROTATION GUIDE .....</b>	<b>506</b>
<b>PRE-MOUNTED PANEL FASTENERS .....</b>	<b>383</b>	<b>TUBE HOLDER .....</b>	<b>84</b>
Double headed clip - oblong / rectangular hole mount ....	386	1 Housing - cavity mount - blind oblong hole .....	175
Double headed clip - round hole mount .....	383	1 Housing - cavity mount - blind round hole .....	174
Double headed clip - round hole mount - umbrella ...	389	1 Housing - cavity mount - threaded hole .....	176
<b>PRE-MOUNTED PANEL FASTENERS - FLANGE CLIP .....</b>	<b>373</b>	1 Housing - cavity mount - threaded hole with off-set ....	178
Rectangular hole mount - rectangular stud mount ...	374	1 Housing - cavity mount - t-shape cavity .....	179
Rectangular hole mount - rib .....	378	1 Housing - edge mount - above panel edge .....	111
		1 Housing - edge mount - panel parallel .....	85

# ALPHABETICAL PRODUCT INDEX

1 Housing - edge mount - panel parallel - with a hole ..	108	2 Housings - hole mount - multiple holes.....	208
1 Housing - hole mount - keyhole .....	160	2 Housings - mounting with other elements.....	221
1 Housing - hole mount - multiple holes.....	162	2 Housings - oblong hole mount .....	206
1 Housing - keyhole mount with off-set .....	161	2 Housings - rectangular hole mount.....	205
1 Housing - mounting with other elements - round ...	184	2 Housings - round hole mount .....	192
1 Housing - mounting with other elements with off-set - 1 hole.....	180	2 Housings - round hole mount - anchor .....	195
1 Housing - mounting with other elements with off-set - 2 holes.....	183	2 Housings - round hole mount - fir tree.....	198
1 Housing - multiple holes .....	187	2 Housings - round hole mount - swiveling .....	201
1 Housing - oblong hole mount.....	155	2 Housings - round stud mount .....	209
1 Housing - raised edge mount .....	114	2 Housings - surface mount.....	188
1 Housing - rectangular hole mount.....	152	2 Housings - threaded stud mount.....	210
1 Housing - rectangular hole mount with off-set.....	154	2 Housings - t-shape stud mount.....	218
1 Housing - round hole mount - pushing in.....	115	3 Housings - edge mount .....	224
1 Housing - round hole mount - pushing in - cat head ...	123	3 Housings - edge mount - same side .....	223
1 Housing - round hole mount - pushing in - manual adjustable lock .....	128	3 Housings - hole mount - multiple holes.....	231
1 Housing - round hole mount - pushing in - omega clip ..	126	3 Housings - oblong hole mount .....	230
1 Housing - round hole mount - pushing in - swiveling ...	134	3 Housings - rectangular hole mount.....	229
1 Housing - round hole mount - pushing in - swiveling - with lock .....	137	3 Housings - round hole mount .....	225
1 Housing - round hole mount - pushing in - varying tab(s) .....	130	3 Housings - surface mount.....	222
1 Housing - round hole mount - pushing-pressing in ..	143	3 Housings - threaded stud mount .....	232
1 Housing - round hole mount with off-set .....	146	4 Housings - edge mount .....	236
1 Housing - square hole mount .....	150	4 Housings - mounting with other elements - round ..	242
1 Housing - stud mount with off-set - round stud .....	163	4 Housings - round hole mount .....	237
1 Housing - stud mount with off-set - threaded stud ..	164	4 Housings - threaded stud mount .....	238
1 Housing - stud mount with off-set - t-shape stud ...	169	5 Housings - hole mount - multiple holes.....	245
1 Housing - surface mount .....	84	5 Housings - rectangular hole mount.....	244
1 Housing - threaded stud mount .....	170	5 Housings - round hole mount .....	243
1 Housing - t-shape stud mount.....	173	5 Housings - threaded stud mount .....	246
2 Housings - cavity mount - threaded hole .....	219	More than 5 housings - multiple holes mount .....	249
2 Housings - cavity mount - t-shape cavity.....	220	More than 5 housings - round hole mount.....	248
2 Housings - edge mount .....	189	More than 5 housings - threaded stud mount .....	250
2 Housings - edge mount - opposite sides.....	191	<b>TUBE HOLDER FOR CORRUGATED HOSE .....</b>	<b>251</b>
2 Housings - edge mount - same side .....	190	1 Housing - cavity mount - blind round hole.....	265
		1 Housing - cavity mount - threaded hole .....	266
		1 Housing - edge mount - above panel edge .....	255
		1 Housing - edge mount - panel parallel.....	251
		1 Housing - edge mount - panel parallel - with a hole .....	253

# ALPHABETICAL PRODUCT INDEX

1 Housing - mounting with other elements	
with off-set - 1 hole.....	267
1 Housing - oblong hole mount.....	262
1 Housing - oblong hole mount with off-set.....	263
1 Housing - rectangular hole mount.....	261
1 Housing - round hole mount.....	256
1 Housing - round hole mount with off-set.....	260
1 Housing - threaded stud mount with off-set.....	264
2 Housings - cavity mount - t-shape cavity.....	271
2 Housings - edge mount - opposite sides.....	268
2 Housings - round hole mount.....	269
2 Housings - threaded stud mount.....	270
3 Housings - round hole mount.....	272
4 Housings - round hole mount.....	273
5 Housings - mounting with other elements.....	275
5 Housings - threaded stud mount.....	274
<b>WASHER.....</b>	<b>468</b>
Round hole mount.....	468
<b>WASHER SYSTEMS &amp; ACCESSORIES.....</b>	<b>546</b>

# YOUR CONTACTS

ARAYMOND, CLOSE TO YOU EVERYWHERE



## AMERICAS

### BRAZIL

+55 19 3836-6900 / 6928 / 6924  
[contact.br@araymond-automotive.com](mailto:contact.br@araymond-automotive.com)

### MEXICO

+1 248 853 2500  
[contact.mx@araymond-automotive.com](mailto:contact.mx@araymond-automotive.com)

### USA & CANADA

+1 248 226 5900  
[contact.us@araymond-automotive.com](mailto:contact.us@araymond-automotive.com)

## EMEA

### CZECH REPUBLIC

+420 483 358 111  
[contact.cz@araymond-automotive.com](mailto:contact.cz@araymond-automotive.com)

### FRANCE

+33 4 76 33 49 49  
[contact.fr@araymond-automotive.com](mailto:contact.fr@araymond-automotive.com)

### GERMANY

+49 7621 174-0  
[contact.de@araymond-automotive.com](mailto:contact.de@araymond-automotive.com)

### ITALY

+39 0161 937311  
[contact.it@araymond-automotive.com](mailto:contact.it@araymond-automotive.com)

### MOROCCO

+212 529048613  
[contact.ma@araymond.com](mailto:contact.ma@araymond.com)

### SPAIN

+34 93 877 1314  
[contact.es@araymond-automotive.com](mailto:contact.es@araymond-automotive.com)

### TURKEY

+90 262 658 1058  
[contact.tr@araymond-automotive.com](mailto:contact.tr@araymond-automotive.com)

### UNITED KINGDOM

+44 1732 871934  
[contact.uk@araymond-automotive.com](mailto:contact.uk@araymond-automotive.com)

### RUSSIA

+7 8313 398111  
[contact.ru@araymond-automotive.com](mailto:contact.ru@araymond-automotive.com)



## ASIA

### CHINA

.....  
+86 0511-85309100  
[contact.cn@araymond-automotive.com](mailto:contact.cn@araymond-automotive.com)

### INDIA

.....  
+91 (2135) 676 200  
[contact.in@araymond-automotive.com](mailto:contact.in@araymond-automotive.com)

### JAPAN

.....  
+81 463 40 8600  
[contact.jp@araymond-automotive.com](mailto:contact.jp@araymond-automotive.com)

### SINGAPORE

.....  
+ 65 6421 8424  
[contact.sg@araymond-automotive.com](mailto:contact.sg@araymond-automotive.com)

### SOUTH KOREA

.....  
+82 70 5055 5000  
[contact.kr@araymond-automotive.com](mailto:contact.kr@araymond-automotive.com)

[www.araymond-automotive.com](http://www.araymond-automotive.com)